

The BSE Track Mount series sockets are compatible with DRI “E” series 2 and 4 pole 5 Amp relays, 2 and 4 pole 10 / 15 Amp relays, and 3 pole 25 Amp relays conforming to MIL-PRF-12883. We have engineered these sockets to allow for easy mounting on a “B” Track with no loose parts, saving on installation and replacement time, and significantly reducing if not eliminating the chance for FOD to develop. These sockets are for use with Track Mount type relays.

Materials Data

Body	Thermoplastic
Bracket:	17-7 ph cres
Plating:	Sulfamate Nickel
Grommet:	Silicone Rubber
Minimum Holding Force When Assembled to Track:	3 Lbs. (13.34 N)
Type of Contacts:	M39029/57-357 M39029/57-358

Environmental Data

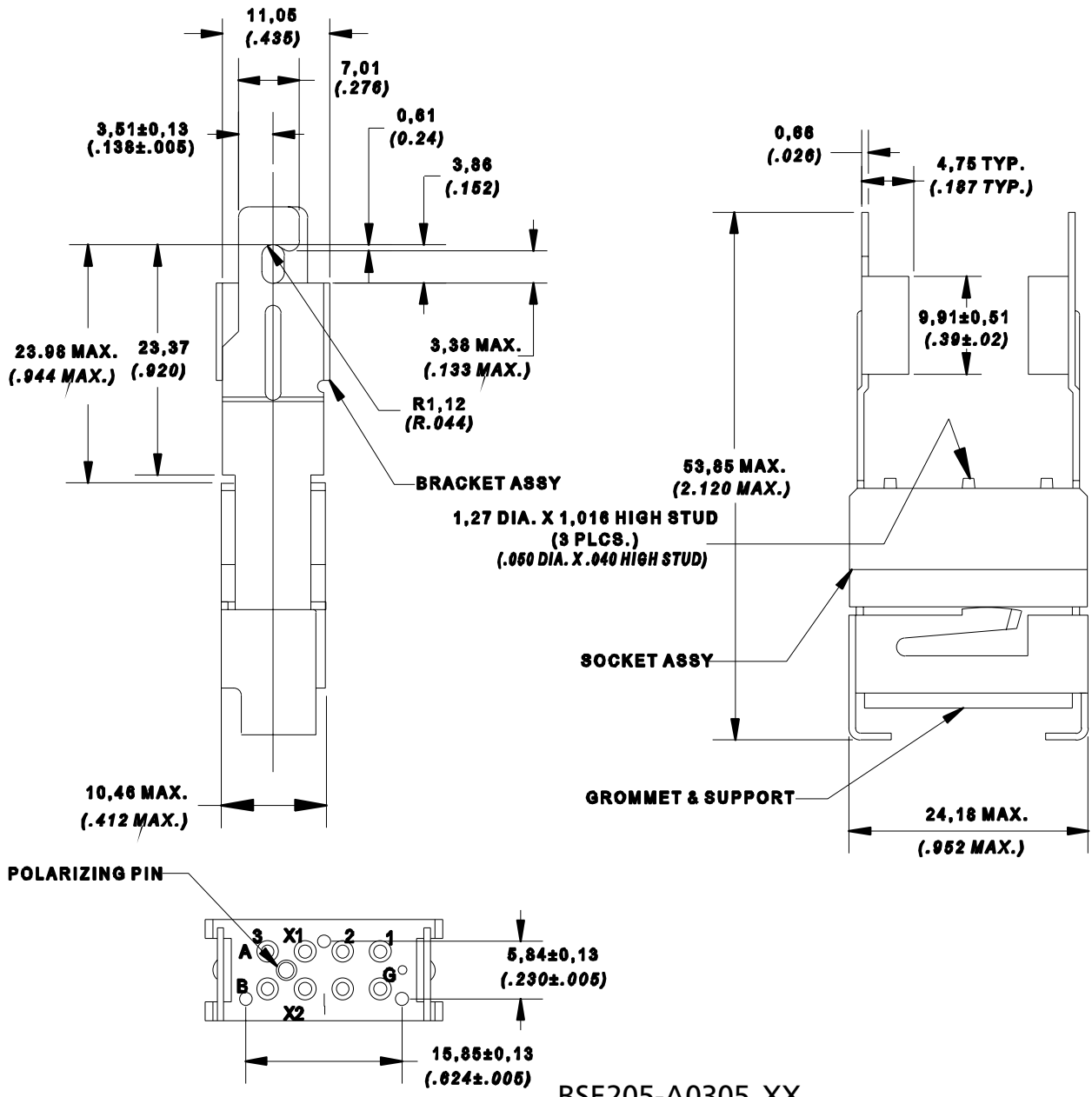
Operating Temperature Range:	-70 C to +125 C
------------------------------	-----------------

BSE Series BSE205



For use with E205 and ES205 Relays with Mounting Code 5 and Pin Code M

UNLESS OTHERWISE SPECIFIED, TOLERANCE IS +/- 0.13mm (0.005") FOR THREE PLACE DECIMALS, AND +/- 0.25mm (0.01") FOR TWO PLACE DECIMALS



Contact Size Option

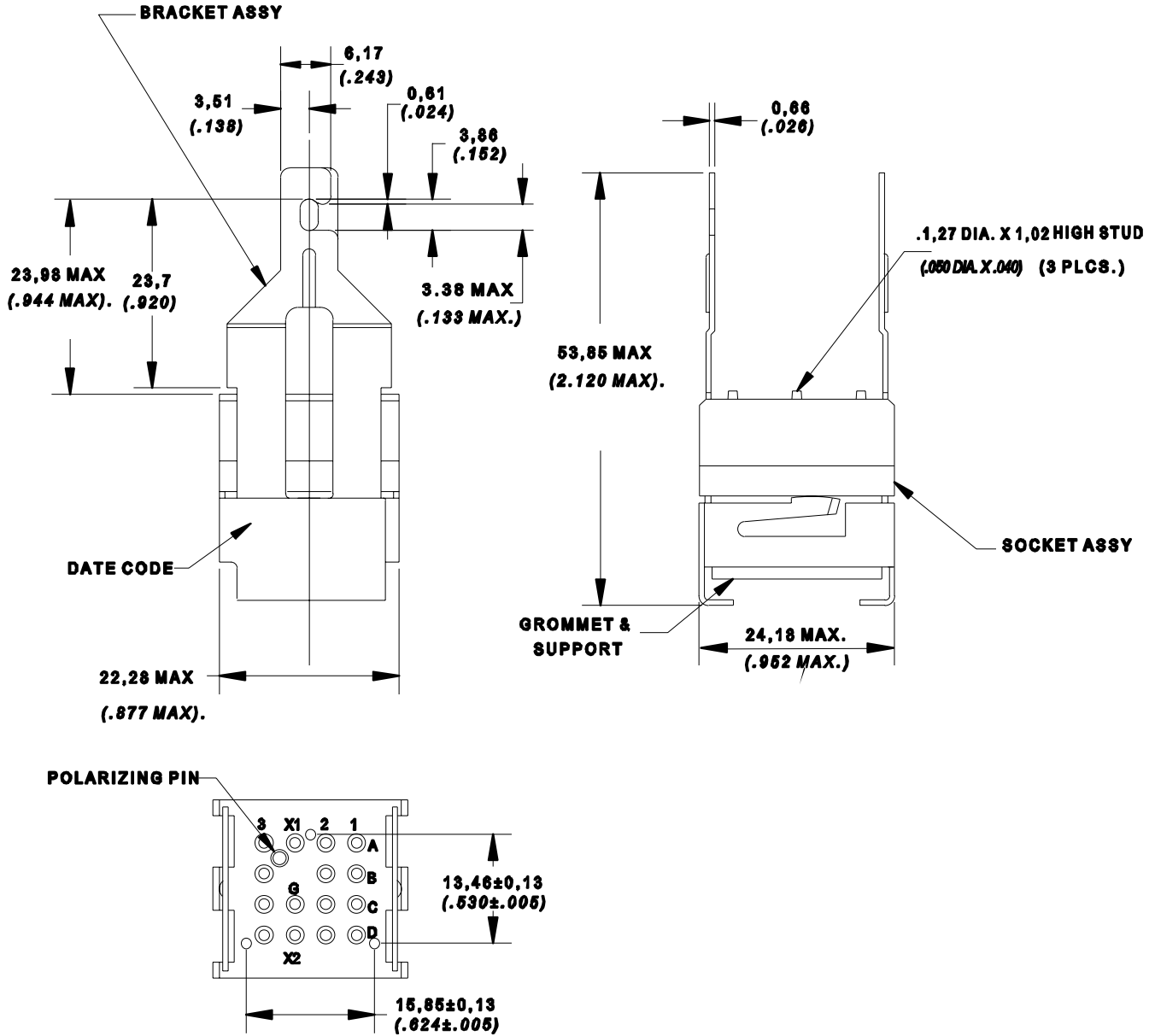
- 01: Supplied with Socket Crimp Contacts for Size 20 AWG
- 02: Supplied without Contacts

BSE Series BSE405



For use with E405 and ES405 Relays with Mounting Code 5 and Pin Code M

UNLESS OTHERWISE SPECIFIED,
TOLERANCE IS +/- 0.13mm (0.005") FOR
THREE PLACE DECIMALS, AND +/- 0.25mm
(0.01") FOR TWO PLACE DECIMALS

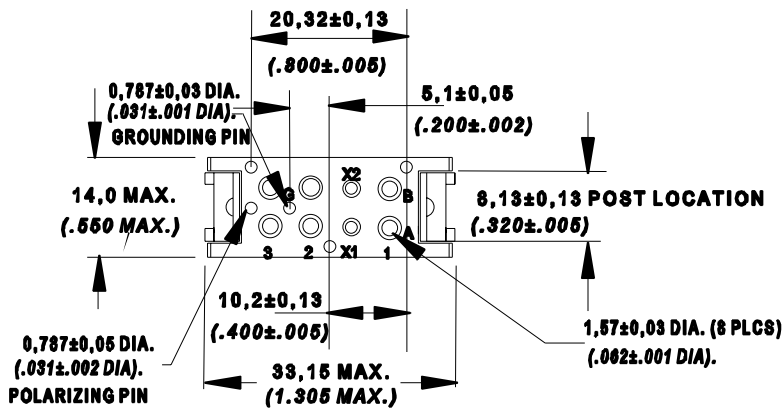
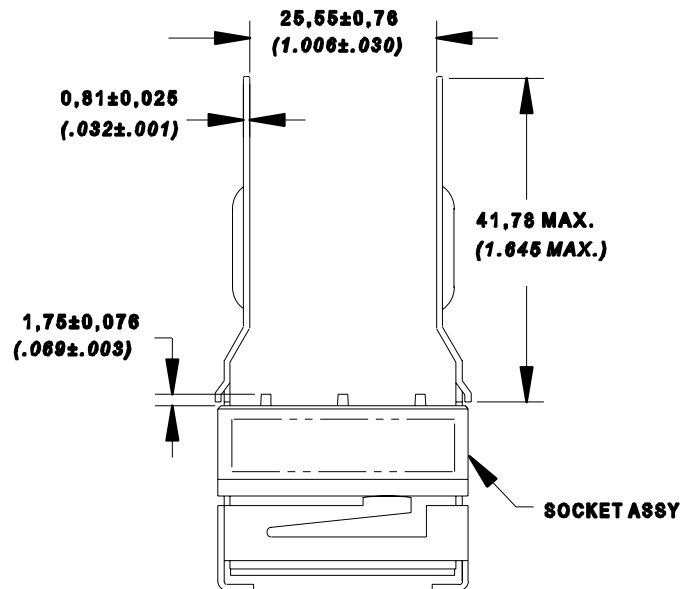
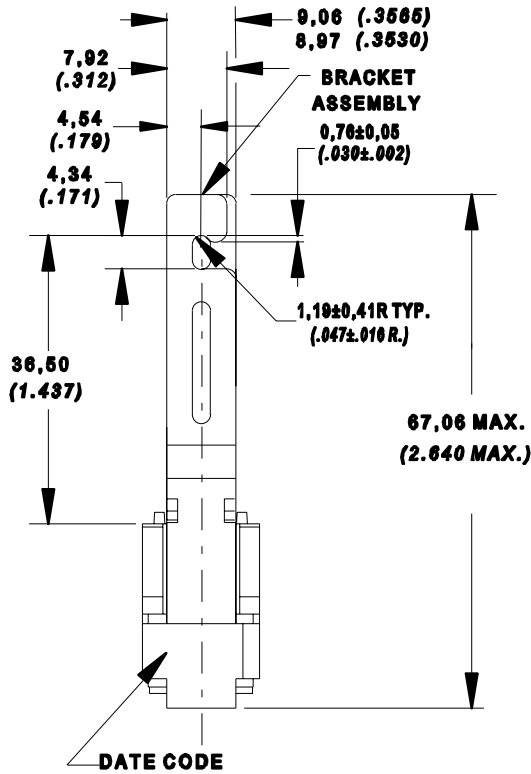


BSE405-A0305 XX

Contact Size Option

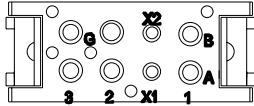
- 01: Supplied with Socket Crimp Contacts for Size 20 AWG
- 02: Supplied without Contacts

UNLESS OTHERWISE SPECIFIED,
TOLERANCE IS +/- 0.13mm (0.005") FOR
THREE PLACE DECIMALS, AND +/- 0.25mm
(0.01") FOR TWO PLACE DECIMALS



BSE Series BSE210

For use with E210, E215, ES210, and ES215 Relays with Mounting Code 4 and Pin Code M

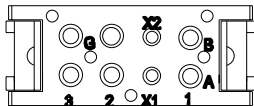


BSE210-A0305 XX

Contact Size Option ———

- 01:** Supplied with Socket Crimp Contacts for Size 16 AWG
- 02:** Supplied without Contacts

For use with EA210 and EA215 Relays with Mounting Code 4 and Pin Code M

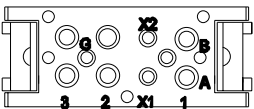


BSE210-B0305 XX

Contact Size Option ———

- 01:** Supplied with Socket Crimp Contacts for Size 16 AWG
- 02:** Supplied without Contacts

For use with EL210, EL215, ELS210, and ELS215 Relays with Mounting Code 4 and Pin Code M

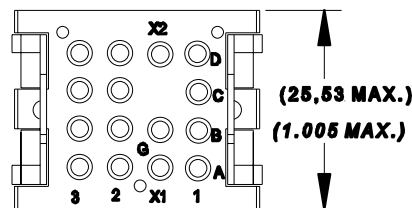
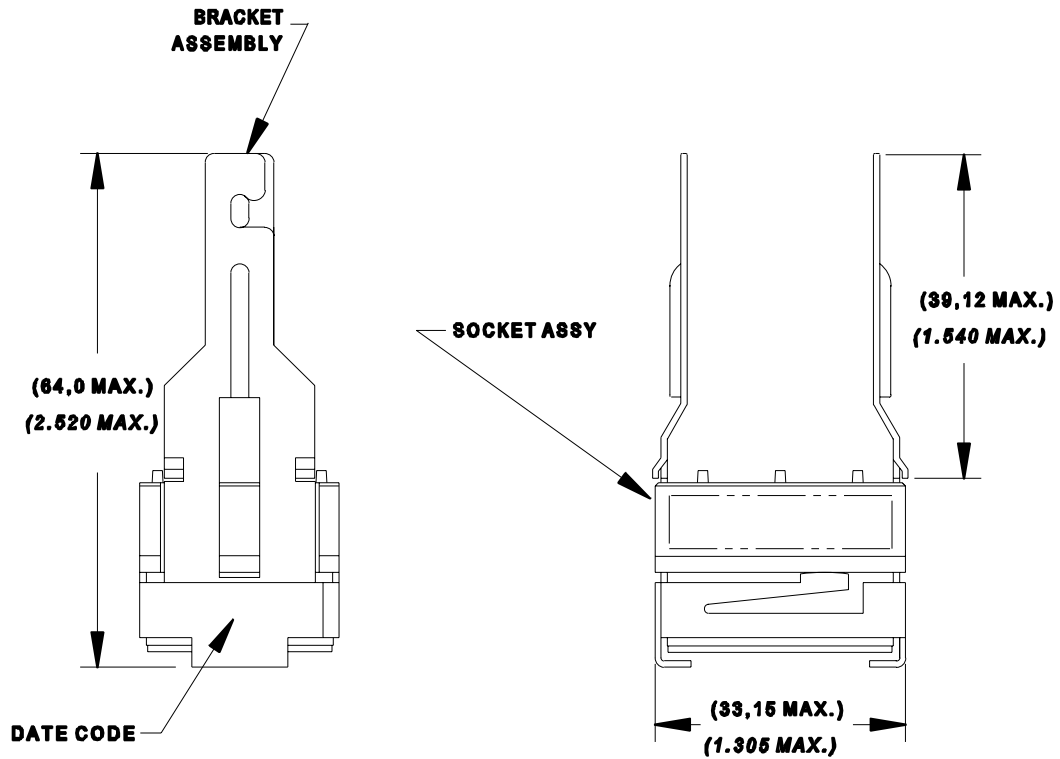


BSEL210-C0305 XX

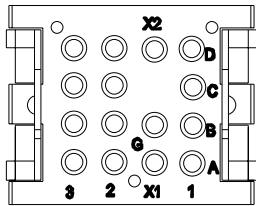
Contact Size Option ———

- 01:** Supplied with Socket Crimp Contacts for Size 16 AWG
- 02:** Supplied without Contacts

UNLESS OTHERWISE SPECIFIED,
TOLERANCE IS +/- 0.13mm (0.005") FOR
THREE PLACE DECIMALS, AND +/- 0.25mm
(0.01") FOR TWO PLACE DECIMALS



For use with E410, E415, ES410, and ES415 Relays with Mounting Code 4 and Pin Code M

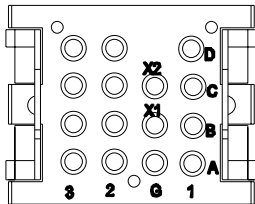


BSE410-A0305 XX

Contact Size Option

- 01:** Supplied with Socket Crimp Contacts for Size 16 AWG
- 02:** Supplied without Contacts

For use with EA410 and EA415 Relays with Mounting Code 4 and Pin Code K

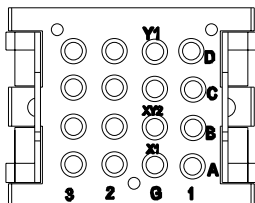


BSE410-B0305 XX

Contact Size Option

- 01:** Supplied with Socket Crimp Contacts for Size 16 AWG
- 02:** Supplied without Contacts

For use with EL410, EL415, ELS410, ELS415, ELR410, and ELR415 Relays with Mounting Code 4 and Pin Code M



BSEL410-C0305 XX

Contact Size Option

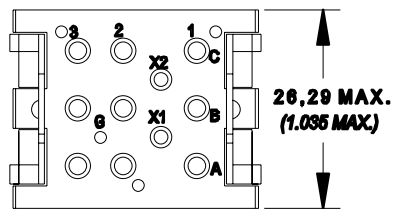
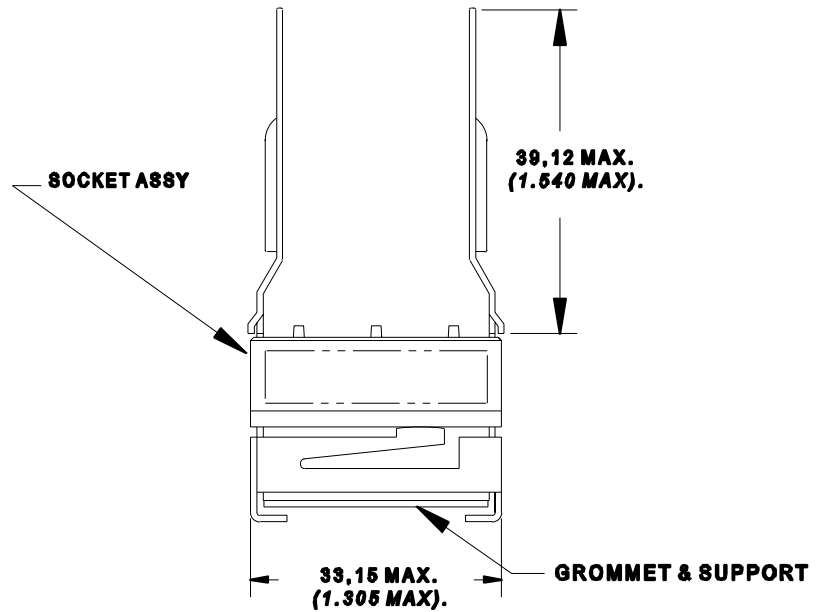
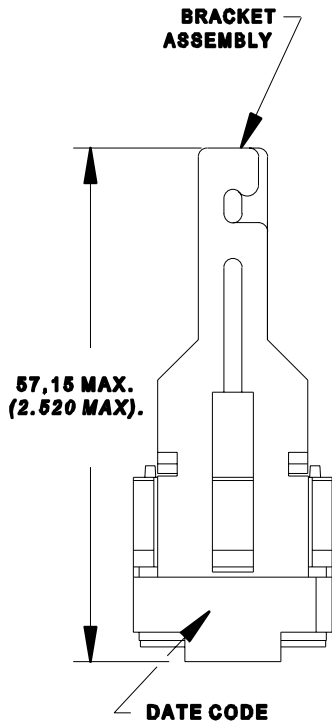
- 01:** Supplied with Socket Crimp Contacts for Size 16 AWG
- 02:** Supplied without Contacts

BSE Series BSE325



For use with E325, EA325, and ES325 Relays with Mounting Code 5 and Pin Code C

UNLESS OTHERWISE SPECIFIED, TOLERANCE IS +/- 0.13mm (0.005") FOR THREE PLACE DECIMALS, AND +/- 0.25mm (0.01") FOR TWO PLACE DECIMALS



BSE325-A0305 XX

Contact Size Option

- 01:** Supplied with Socket Crimp Contacts for Size 12 AWG
- 02:** Supplied without Contacts