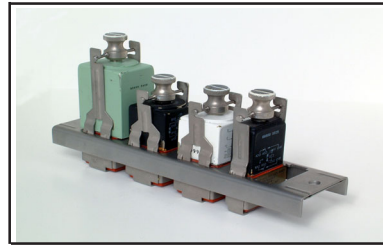
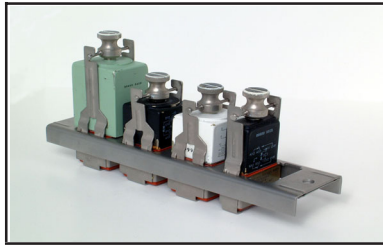


10 / 15 Amp Track Mount Characteristics



General characteristics

| | | |
|--------------|--|---------------------------------------|
| No. of poles | EL210/EL215 2 Form C (2 PDT) | EL410/EL415 4 Form C (4PDT) |
| Mass | 54.5 grams [<i>.120 lb. Max</i>] | 90.6 grams [<i>.20 lb. Max</i>] |

Switching characteristics

| | | |
|-------------------------------------|------------|------------|
| Operate time @ 25 (Latch and Reset) | 15 ms max. | 20 ms max. |
| Bounce time | 1 ms max. | 1 ms max. |

Mechanical Life 400,000 cycles

| Contact rating | Type of load (High level) | Cycles x 10 ³ | 28 Vdc | 115 Vac | 115 Vac* | 115/200 Vac | 115/200 Vac* | 10 AMP * = 10,000 CYCLES |
|----------------|---------------------------|--------------------------|---------|-------------------|---------------------|-------------------|---------------------|-----------------------------|
| | | | | 400 Hz 1 phase | 50/60 Hz 1 phase | 400 Hz 3 phase | 50/60 Hz 3 phase | |
| | Resistive | 100 | 10 amps | 10 amps | 2.5 amps | 10 amps | 2.5 amps | |
| | Inductive | 20 | 8 amps | 8 amps | n/a | 8 amps | n/a | |
| | Inductive | 10 | n/a | n/a | 2.5 amps | n/a | 2.5 amps | |
| | Motor | 100 | 4 amps | 4 amps | 2 amp | 4 amps | 2 amps | |
| | Lamp | 100 | 2 amps | 2 amps | 1 amps | n/a | n/a | |
| | Overload current | n/a | 40 amps | 60 amps | n/a | 60 amps | n/a | |
| | Rupture current | n/a | 50 amps | 80 amps | n/a | 80 amps | n/a | |

| Contact rating | Type of load (High level) | Cycles x 10 ³ | 28 Vdc | 115 Vac | 115 Vac* | 115/200 Vac | 115/200 Vac* | 15 AMP * = 10,000 CYCLES |
|----------------|---------------------------|--------------------------|---------|-------------------|---------------------|-------------------|---------------------|-----------------------------|
| | | | | 400 Hz 1 phase | 50/60 Hz 1 phase | 400 Hz 3 phase | 50/60 Hz 3 phase | |
| | Resistive | 100 | 15 amps | 15 amps | 3.75 amps | 15 amps | 3.75 amps | |
| | Inductive | 20 | 10 amps | 10 amps | n/a | 10 amps | n/a | |
| | Inductive | 10 | n/a | n/a | 3.75 amps | n/a | 3.75 amps | |
| | Motor | 100 | 6 amps | 6 amps | 3 amp | 6 amps | 3 amps | |
| | Lamp | 100 | 3 amps | 3 amps | 1.5 amps | n/a | n/a | |
| | Overload current | n/a | 40 amps | 60 amps | n/a | 60 amps | n/a | |
| | Rupture current | n/a | 50 amps | 80 amps | n/a | 80 amps | n/a | |

Environmental characteristics

| | |
|------------------------|--|
| Temperature Range | -70°C to +125°C |
| Vibration (Sinusoidal) | 30 g 10-3000 Hz |
| Shock, any axis | 200 g 6 ms |
| Seal | Hermetic (1 x 10 ⁻⁸ atm cm ³ /s) |

Electrical characteristics

| | |
|---|----------------------------------|
| Contact voltage drop (@ Rated resistive load) | |
| - Initial | 150 mV Max. |
| - After guaranteed life | 175 mV Max. |
| Dielectric strength @ sea level | Coil to Case All other points |
| - Initial @ 60 Hz | 1050 Vrms 1500 Vrms |
| - After guaranteed life | 1050 Vrms 1250 Vrms |
| Insulation Resistance | |
| - Initial | 100 Megohms min. @ 500 Vdc |
| - After life tests | 100 Megohms min. @ 500 Vdc |
| - Max. leakage current | 100 Microamp RMS. |
| Reference Military Specification | MIL-PRF-83536 |

EL S 2 10 E 4 M D

RELAY TYPE

EL: Latching

OPTIONAL

S: Internal Voltage Suppressor

MODEL

2: 2PDT See page 19,21-23

4: 4PDT See page 19, 24-26

RELAY AMPS

10: 10 AMPS

15: 15 AMPS

COIL CODE

2PDT: SEE PAGE 21

4PDT: SEE PAGE 24

MOUNTING STYLES

2PDT: SEE PAGE 22-23

4PDT: SEE PAGE 25-26

TERMINATION STYLES

2PDT: SEE PAGE 22-23

4PDT: SEE PAGE 25-26

'D' FOR CATALOG STANDARD OR

'A' FOR CATALOG STANDARD WITHOUT ARC BARRIERS

'XXXX' FOR SPECIAL INSTRUCTIONS OR SPECIFICATIONS

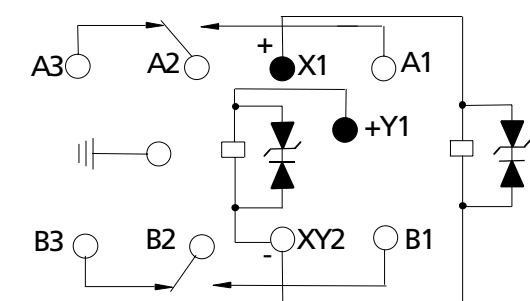
(ASSIGNED BY DRI)

Coil characteristics

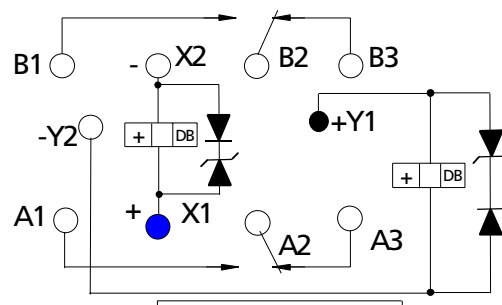
| COIL CODE | DC | | | | | |
|---|-----|---------|---------|-------|------|------|
| | A | B | D | E | G | J |
| Nominal coil voltage | 6 | 12 | 26,5 | 28 | 48 | 110 |
| Maximum pick up voltage at 25°C | 3 | 6 | 13.5 | 14 | 24 | 55 |
| Maximum pick up voltage at 125°C | 3,9 | 7,7 | 18 | 18,7 | 31 | 70 |
| Minimum drop out voltage at -70° C | 2 | 5 | 1,2 | 1,5 | 2 | 5 |
| Coil resistance (ohms ±10% at 25°C) | 15 | 60 | 280 | 300 | 1000 | 5000 |
| Maximum coil transient suppression (where applicable) VDC | See | circuit | diagram | below | 100 | 180 |

OTHER VOLTAGES AVAILABLE FROM FACTORY ON REQUEST

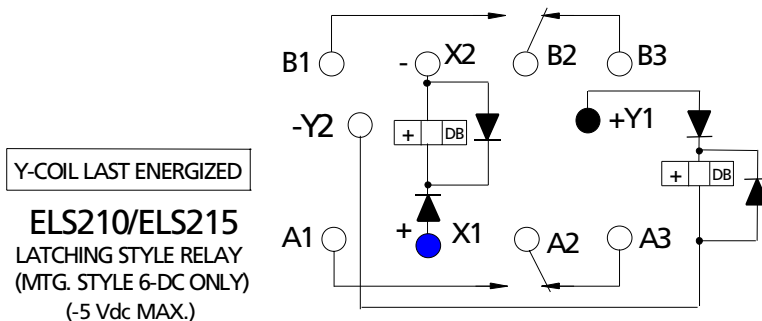
Circuit diagram



ELS210
LATCHING STYLE RELAY (MTG. STYLE 4-DC ONLY)
Y-COIL LAST ENERGIZED (-42 Vdc MAX.)



ELS210/ELS215
LATCHING STYLE RELAY (MTG. STYLE 6-DC ONLY)
OPTIONAL INTERNAL VOLTAGE SUPPRESSOR
(-42 Vdc MAX.)

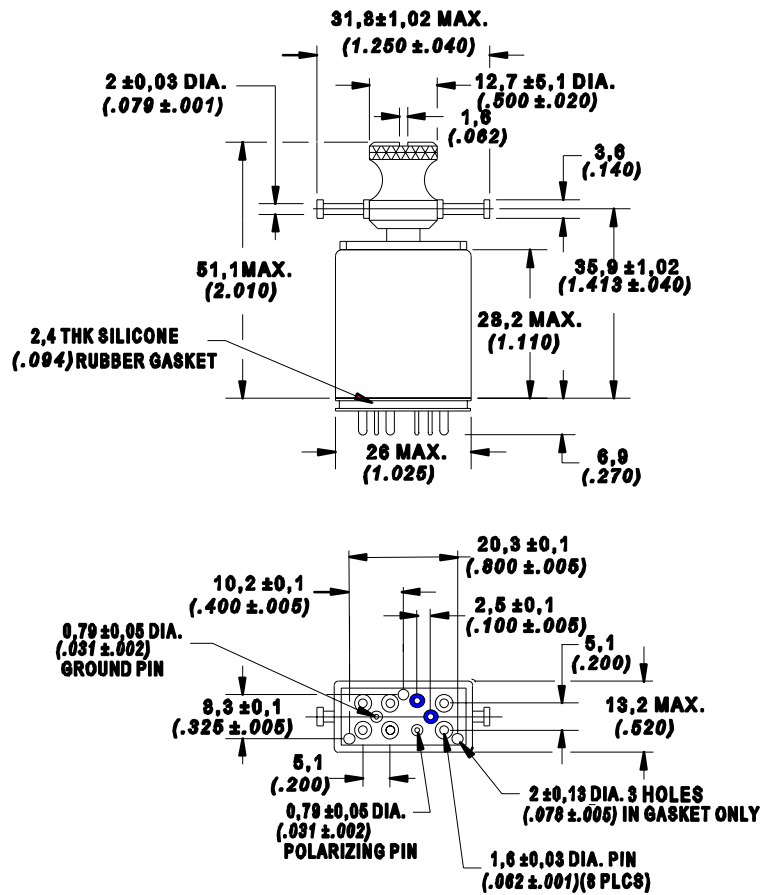


ELS210/ELS215
LATCHING STYLE RELAY
(MTG. STYLE 6-DC ONLY)
(-5 Vdc MAX.)

■ Mounting & Terminal Styles

DIMENSIONS ARE IN MM (IN.)
UNLESS OTHERWISE SPECIFIED, TOLERANCE IS ± 0.25 (.010)

THESE TRACK MOUNT RELAYS TO BE USED WITH BRACKET ASSY AND TRACKS MEETING THE REQUIREMENTS OF MIL-PRF-12883. SEE MIL-PRF-12883/50 FOR SOCKET INFORMATION AND MIL-PRF-12883/49 FOR TRACK INFORMATION



MOUNTING STYLE: 4

TERMINAL STYLE: M

[GOLD PLATED HEADER & TERMINALS

■ Mounting & Terminal Styles

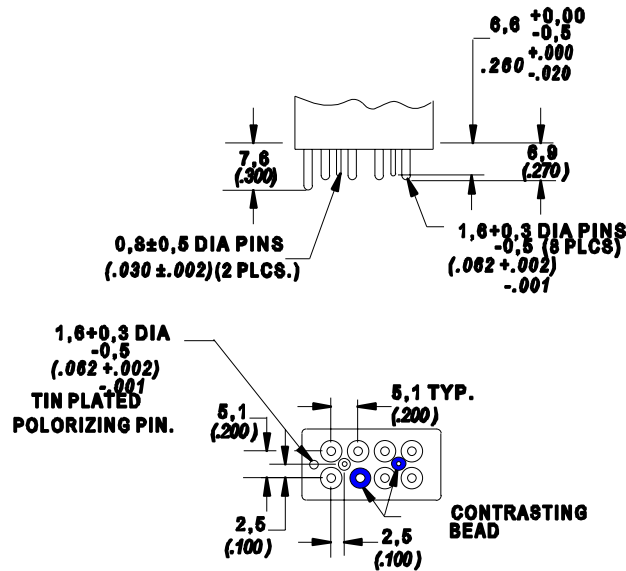
DIMENSIONS IN MM (IN.)
UNLESS OTHERWISE SPECIFIED, TOLERANCE IS ± 0.25 (.010)

MOUNTING STYLE: 6

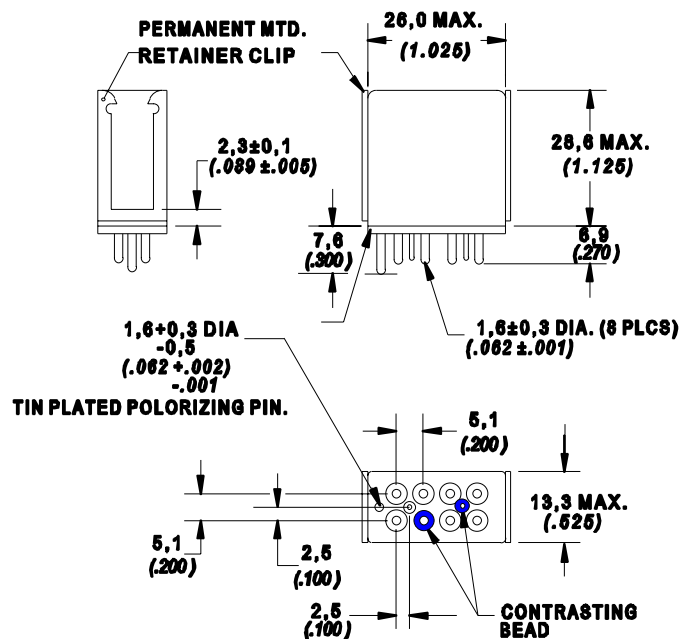
TERMINAL STYLE: M GOLD PLATED TERMINALS WITH TIN PLATED POLARIZING PIN

V TIN PLATED TERMINALS WITH TIN PLATED POLARIZING PIN

STYLE V : SOLDER PIN



STYLE M : PLUG IN

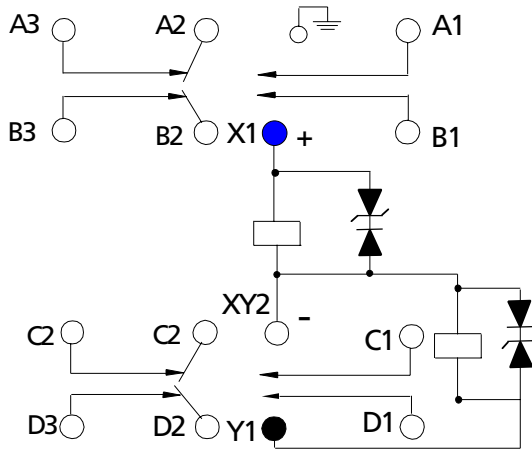


Coil Characteristics

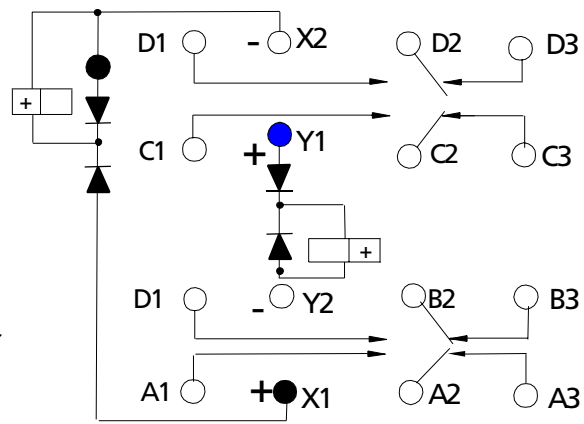
| COIL CODE | DC | | | | | |
|--|-----|---------|---------|-------|------|------|
| | A | B | D | E | G | J |
| Nominal coil voltage | 6 | 12 | 26,5 | 28 | 48 | 110 |
| Maximum pick up voltage at 25°C | 3 | 6 | 13.5 | 14 | 24 | 55 |
| Maximum pick up voltage at 125°C | 3,9 | 7,7 | 18 | 18,7 | 31 | 70 |
| Minimum drop out voltage at -70° C | 2 | 5 | 1,2 | 1,5 | 2 | 5 |
| Coil resistance (ohms ±10% at 25°C) | 15 | 60 | 280 | 300 | 1000 | 5000 |
| Maximum coil transient suppression (where applicable)VDC | See | circuit | diagram | below | 100 | 180 |

OTHER VOLTAGES AVAILABLE FROM FACTORY ON REQUEST

Circuit Diagram

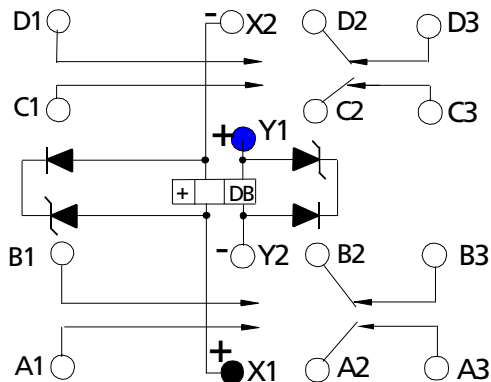


ELS410
LATCHING STYLE RELAY(MTG. STYLE 4-DC ONLY)
Y-COIL LAST ENERGIZED
(-42 Vdc MAX.)



ELR410/ELR415
LATCHING STYLE RELAY (MTG. STYLE6-DC ONLY)
Y-COIL LAST ENERGIZED
(-5 Vdc MAX.)

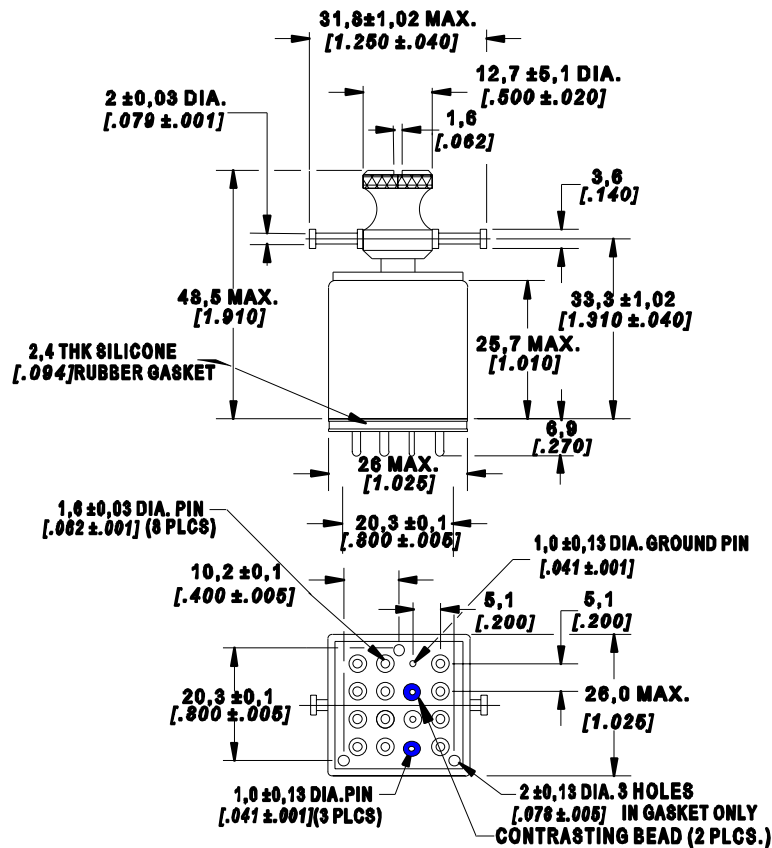
ELS410/ELS415
LATCHING STYLE RELAY(MTG. STYLE6-DC ONLY)
OPTIONAL INTERNAL VOLTAGE SUPPRESSOR
Y-COIL LAST ENERGIZED
(-42 Vdc MAX.)



■ Mounting & Terminal Styles

DIMENSIONS ARE IN MM (IN.)
UNLESS OTHERWISE SPECIFIED, TOLERANCE IS ± 0.25 (.010)

THESE TRACK MOUNT RELAYS TO BE USED WITH BRACKET ASSY AND TRACKS
MEETING THE REQUIREMENTS OF MIL-PRF-12883. SEE MIL-PRF-12883/50
FOR SOCKET INFORMATION AND MIL-PRF-12883/49 FOR TRACK INFORMATION



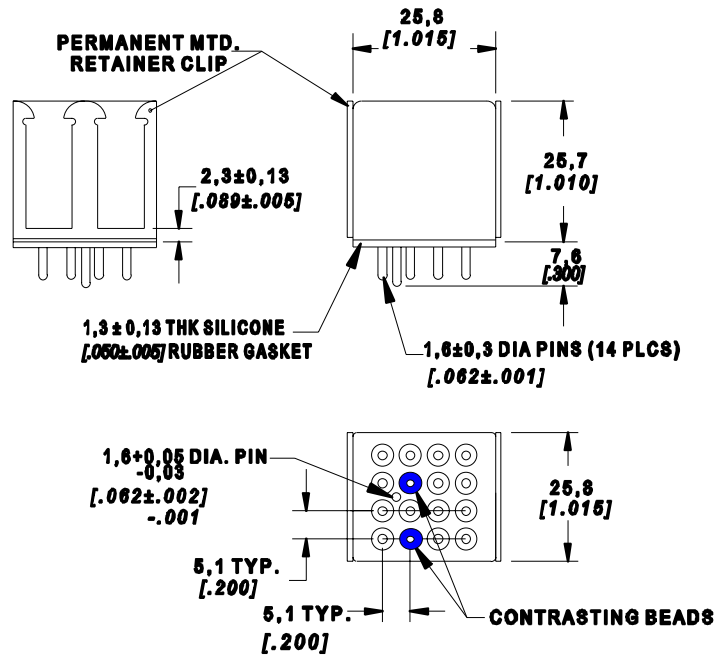
MOUNTING STYLE: 4

TERMINAL STYLE: M

[GOLD PLATED HEADER & TERMINALS (DC)]

■ Mounting & Terminal Styles

DIMENSIONS ARE IN MM (IN.)
UNLESS OTHERWISE SPECIFIED, TOLERANCE IS ± 0.25 (.010)



MOUNTING STYLE: 6

TERMINAL STYLE: C [GOLD PLATED HEADER & TERMINALS (DC)]

M [GOLD PLATED WITH TIN PLATED POLARIZING PIN]