



ML 5107 PANEL INDICATORS

FEATURES

- > Wide viewing angles
- > Multiple LED colors available
- > High intensity LED
- > Sealed to IP67 standard
- > EMI protection mesh under lens
- > Protection from EMI/RFI
- > Voltage options (*see chart*)
- > Industrial/external applications
- > Panel-suitable mounting
- > Internal reverse protection diode fitted in all models
- > Internal resistor
- > Internal potting for protection
- > Conductive rubber panel seal
- > Smoked lens enhance On/Off contrast ratio

Colors	Color Code
Red	R
Yellow	Y
Green	G
Blue	B
Cool White	C

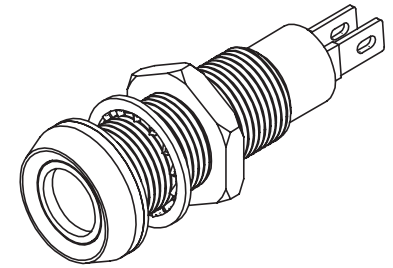
Customized versions available upon request.

PROPERTIES

Material	
Housing	Nickel Plated Brass
Hex Nut	Nickel Plated Brass
Lock Washer	Spring Steel
Terminal	Silver Coated Brass
Mounting Hole	
Min. Panel Thickness	0.06
Weight	
	7.6 grams
Operational Temp.	
	-40°C to 75°C
Storage Temp.	
	-40°C to 100°C
Smoked Lens	
Optional Connections	
	Brass – Tin Plated Connector

ENVIRONMENTAL SPECIFICATIONS

Vibration	.06" D.A. or 20G peak, whichever is less, 10 Hz to 2 kHz, MIL-STD-202 Method 204, Test Condition D
Shock	100G'S MIL-STD-202, Method 213, Test Condition I
Moisture Resistance (Humidity)	MIL-STD-202, Method 106.
Barometric Pressure (Reduced)	100,000 FT. MIL-STD-202, Method 105, Test Condition D
Salt Atmosphere	MIL-STD-202, Method 101, Test Condi



The ML 5107 Panel Indicators are rugged durable LED indicators that are suitable for panel mounting. These indicators are IP67 sealed for external functionality and feature internal potting for vibration control and durability to withstand industrial applications. Indicators meet specific military specifications listed in data sheet. These indicators come in a variety of color applications and voltages. Indicators feature a smoked lens enhanced On/Off contrast ratio. The indicators include a mesh for protection from EMI/RFI. Refer to the product specifications for additional details.

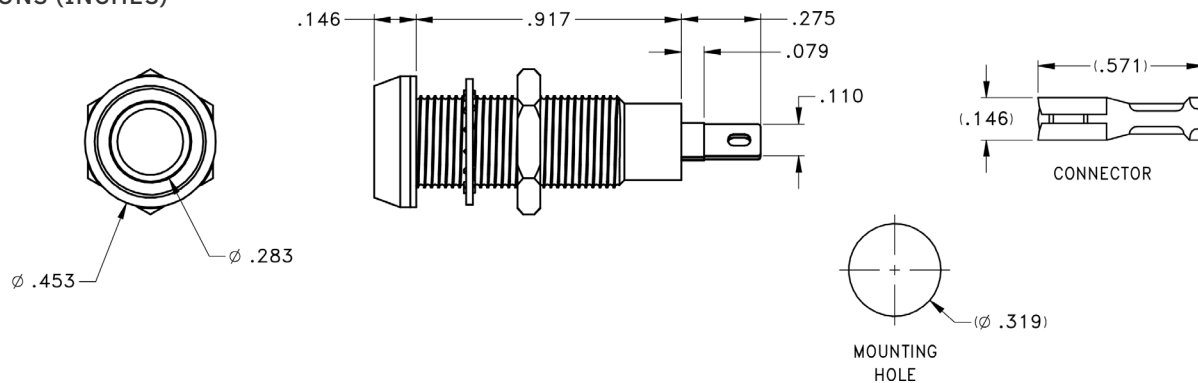
ELECTRO-OPTICAL SPECIFICATIONS

CHARACTERISTICS		ML5107E-()-ND-T-()					
	Voltage (Vdc) Typical	Current (mA) Typical	Red	Yellow	Green	Blue	Cool White
Typical Luminous Intensity (mcd)	12	16 – 19	458	330	1815	364	1063
	24/28	15 – 20	346 – 458	330 – 440	1815 – 2157	364 – 452	1063 – 1359
Typical Wavelength (λp)	(12 – 24/28)	(15 – 20)	619	585	520	468	SEE BELOW
TYPICAL EMISSION COOL WHITE							
	X	0.275	0.280	0.290			
	Y	0.270	0.280	0.300			
Max. Power Dissipation	700 mW						

ELECTRICAL SPECIFICATIONS

Voltage (Vdc)
12
24 – 28

DIMENSIONS (INCHES)



ML 5107 ORDERING INFORMATION

FAMILY SERIES – COLOR – VOLTAGE ML5107E-()-ND-T-()		
Model No.	Color	Voltage
ML5107E-R-ND-T-12	Red	12
ML5107E-Y-ND-T-12	Yellow	12
ML5107E-G-ND-T-12	Green	12
ML5107E-B-ND-T-12	Blue	12
ML5107E-C-ND-T-12	Cool White	12
ML5107E-R-ND-T-24/28	Red	24/28
ML5107E-Y-ND-T-24/28	Yellow	24/28
ML5107E-G-ND-T-24/28	Green	24/28
ML5107E-B-ND-T-24/28	Blue	24/28
ML5107E-C-ND-T-24/28	Cool White	24/28

NOTE:

LABELING INFORMATION	
Laser etch case	ML5107
Laser etch date code	YYWW
Label ESD BAG:	Example:
Cage code	10236
Model number	ML5107-R-12
Date code (YYWW)	2032

ML 5107 Panel Indicators

© 2021 L3Harris Technologies, Inc. | 07/2021

Refer to your Trade Compliance Lead or Empowered Official for exact disclaimer language.

L3Harris Technologies is an agile global aerospace and defense technology innovator, delivering end-to-end solutions that meet customers' mission-critical needs. The company provides advanced defense and commercial technologies across air, land, sea, space and cyber domains.



1025 W. NASA Boulevard
Melbourne, FL 32919
t 513 943 2000 | f 513 943 2050
info@L3Harris.com