



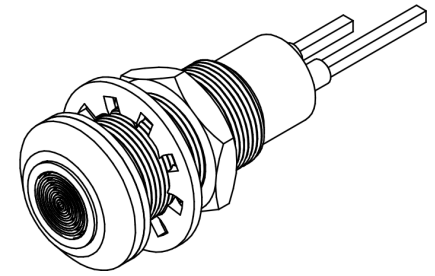
ML 5112 PANEL INDICATORS

FEATURES

- > Wide viewing angles
- > Multiple LED colors available
- > High intensity LED
- > Sealed to IP67 standard
- > Voltage options (*see chart*)
- > Industrial/external applications
- > Panel-suitable mounting
- > Internal resistor
- > Internal potting for protection
- > Viton rubber panel seal
- > Smoked lens enhance On/Off contrast ratio

Colors	Color Code
Red	R
Yellow	Y
Red/Green	R/G
Green	G
Blue	B
Cool White	C

Customized versions available upon request.



The ML 5112 Panel Indicators are rugged durable LED indicators that are suitable for panel mounting. These indicators are IP67 sealed for external functionality and feature internal potting for vibration control and durability to withstand industrial applications. Indicators meet specific military specifications listed in data sheet. These indicators come in a variety of color and voltage applications. Indicators feature a smoked lens for enhanced On/Off contrast ratio. Refer to the product specifications for additional details.

PROPERTIES							
Material							
Housing	Black Anodized Aluminum						
Hex Nut	Nickel Plated Brass						
Lock Washer	Spring Steel						
Terminals	Straight Leads — Silver Coated Brass						
Mounting Hole							
Min. Panel Thickness	0.06						
Weight							
Operational Temp.	-40°C to 85°C						
	G/B/C: -30°C to 85°C						
Storage Temp.							
	-40°C to 85°C						
Smoked Lens							
Optional Connections							
	Wire Leads						
	<table border="1"> <thead> <tr> <th colspan="2">Wire Length (Inches)</th> </tr> </thead> <tbody> <tr> <td>WL</td> <td>6</td> </tr> <tr> <td>WX</td> <td>39</td> </tr> </tbody> </table>	Wire Length (Inches)		WL	6	WX	39
Wire Length (Inches)							
WL	6						
WX	39						
	Brass-Plated Connector						
	Gold-Plated Connector						
	Tin-Plated Connector						

ENVIRONMENTAL SPECIFICATIONS	
Vibration	.06" D.A. or 20G peak, whichever is less, 10 Hz to 2 kHz, MIL-STD-202, Method 204, Test Condition D
Shock	100G'S MIL-STD-202, Method 213, Test Condition I
Moisture Resistance (Humidity)	MIL-STD-202, Method 106
Barometric Pressure (Reduced)	100,000 ft. MIL-STD-202, Method 105, Test Condition D
Salt Atmosphere	MIL-STD-202, Method 101, Test Condition B

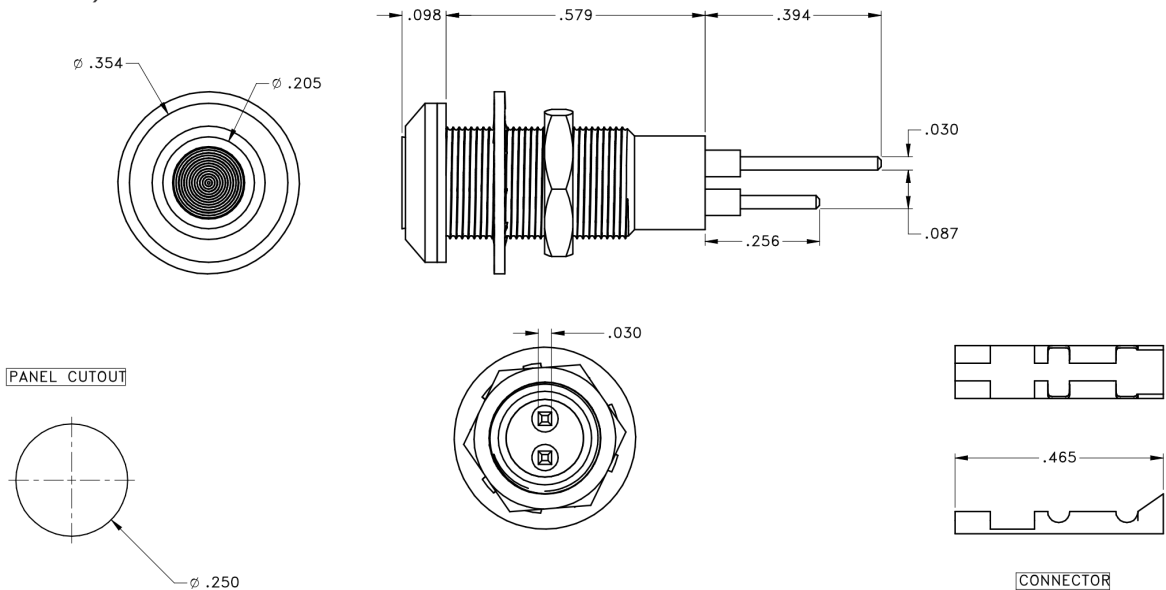
ELECTRICAL SPECIFICATIONS

Voltage (Vdc)
12
24/28
48

ELECTRO-OPTICAL SPECIFICATIONS

CHARACTERISTICS		ML5112-()-ND-()-()						
	Voltage (Vdc) Typical	Current (mA) Typical	Red	Yellow	Green	Red/Green	Blue	Cool White
Typical Luminous Intensity (mcd)	12	18 – 20	33	401	1010	20	225	1194
	24 – 28	14 – 17	27	308	830	20	175	932
	48	14 – 17	27	308	830	20	175	932
Typical Wavelength (λp)	(12 – 48)	(14 – 20)	660	590	525	627/565	465	SEE BELOW
			TYPICAL EMISSION COOL WHITE					
	X	0.296	0.283	0.330	0.330			
	Y	0.276	0.360	0.368	0.318			
Max. Power Dissipation		500 mW						

DIMENSIONS (INCHES)



ML 5112 ORDERING INFORMATION

FAMILY SERIES – COLOR – NON-DIFFUSED – TERMINAL/WIRE LENGTH – VOLTAGE ML5112-()-ND-()-()																	
Model No.	Color	Voltage	Model No.	Color	Voltage												
ML5112-R-ND-SL-12	Red	12	ML5112-R-ND-WX-24/28	Red	24/28												
ML5112-Y-ND-SL-12	Yellow	12	ML5112-Y-ND-WX-24/28	Yellow	24/28												
ML5112-G-ND-SL-12	Green	12	ML5112-G-ND-WX-24/28	Green	24/28												
ML5112-R/G-ND-SL-12	Red/Green	12	ML5112-R/G-WD-WX-24/28	Red/Green	24/28												
ML5112-B-ND-SL-12	Blue	12	ML5112-B-ND-WX-24/28	Blue	24/28												
ML5112-C-ND-SL-12	Cool White	12	ML5112-C-ND-WL-24/28	Cool White	24/28												
ML5112-R-ND-WL-12	Red	12	ML5112-R-ND-SL-48	Red	48												
ML5112-Y-ND-WL-12	Yellow	12	ML5112-Y-ND-SL-48	Yellow	48												
ML5112-G-ND-WL-12	Green	12	ML5112-G-ND-SL-48	Green	48												
ML5112-R/G-ND-WL-12	Red/Green	12	ML5112-R/G-ND-SL-48	Red/Green	48												
ML5112-B-ND-WL-12	Blue	12	ML5112-B-ND-SL-48	Blue	48												
ML5112-C-ND-WL-12	Cool White	12	ML5112-C-ND-SL-48	Cool White	48												
ML5112-R-ND-WX-12	Red	12	ML5112-R-ND-WL-48	Red	48												
ML5112-Y-ND-WX-12	Yellow	12	ML5112-Y-ND-WL-48	Yellow	48												
ML5112-G-ND-WX-12	Green	12	ML5112-G-ND-WL-48	Green	48												
ML5112-R/G-ND-WX-12	Red/Green	12	ML5112-R/G-ND-WL-48	Red/Green	48												
ML5112-B-ND-WX-12	Blue	12	ML5112-B-ND-WL-48	Blue	48												
ML5112-C-ND-WX-12	Cool White	12	ML5112-C-ND-WL-48	Cool White	48												
ML5112-R-ND-SL-24/28	Red	24/28	ML5112-R-ND-WX-48	Red	48												
ML5112-Y-ND-SL-24/28	Yellow	24/28	ML5112-Y-ND-WX-48	Yellow	48												
ML5112-G-ND-SL-24/28	Green	24/28	ML5112-G-ND-WX-48	Green	48												
ML5112-R/G-ND-SL-24/28	Red/Green	24/28	ML5112-R/G-ND-WX-48	Red/Green	48												
ML5112-B-ND-SL-24/28	Blue	24/28	ML5112-B-ND-WX-48	Blue	48												
ML5112-C-ND-SL-24/28	Cool White	24/28	ML5112-C-ND-WX-48	Cool White	48												
ML5112-R-ND-WL-24/28	Red	24/28	NOTE: <table border="1"> <thead> <tr> <th colspan="2">LABELING INFORMATION</th> </tr> </thead> <tbody> <tr> <td>Laser etch case</td> <td>ML5112</td> </tr> <tr> <td>Laser etch date code</td> <td>YYWW</td> </tr> <tr> <td>Label ESD BAG:</td> <td>Example:</td> </tr> <tr> <td>Cage code</td> <td>10236</td> </tr> <tr> <td>Model number</td> <td>ML5112-R-ND-SL-12</td> </tr> <tr> <td>Date code (YYWW)</td> <td>2032</td> </tr> </tbody> </table>	LABELING INFORMATION		Laser etch case	ML5112	Laser etch date code	YYWW	Label ESD BAG:	Example:	Cage code	10236	Model number	ML5112-R-ND-SL-12	Date code (YYWW)	2032
LABELING INFORMATION																	
Laser etch case	ML5112																
Laser etch date code	YYWW																
Label ESD BAG:	Example:																
Cage code	10236																
Model number	ML5112-R-ND-SL-12																
Date code (YYWW)	2032																
ML5112-Y-ND-WL-24/28	Yellow	24/28															
ML5112-G-ND-WL-24/28	Green	24/28															
ML5112-R/G-ND-WL-24/28	Red/Green	24/28															
ML5112-B-ND-WL-24/28	Blue	24/28															
ML5112-C-ND-WL-24/28	Cool White	24/28															

ML 5112 Panel Indicators

© 2021 L3Harris Technologies, Inc. | 07/2021

Refer to your Trade Compliance Lead or Empowered Official for exact disclaimer language.

L3Harris Technologies is an agile global aerospace and defense technology innovator, delivering end-to-end solutions that meet customers' mission-critical needs. The company provides advanced defense and commercial technologies across air, land, sea, space and cyber domains.



L3HARRIS™
FAST. FORWARD.

1025 W. NASA Boulevard
Melbourne, FL 32919
t 513 943 2000 | f 513 943 2050
info@L3Harris.com