

# ENVIRONMENTALLY SEALED ROCKER SWITCHES

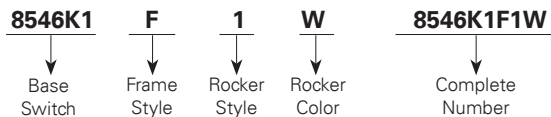
Series - 8546, 8547, 8548 MIL-M3950/14 Environmentally Sealed Rocker Switches

FEATURES		SPECIFICATIONS		CURRENT RATINGS						
<ul style="list-style-type: none"> <li>Environmentally sealed</li> <li>1, 2 and 4 pole circuitry</li> <li>2 &amp; 3 position with maintained and momentary action</li> <li>Rocker button is removable for decal or icon interchangeability</li> <li>Multi-circuit</li> <li>Molded-in inserts and terminal numbers</li> <li>Panel mounting variations                             <ul style="list-style-type: none"> <li>Flush panel</li> <li>Sub-panel</li> </ul> </li> <li>Rocker button variations                             <ul style="list-style-type: none"> <li>Smooth and serrated in opaque colors</li> <li>Transparent</li> <li>Translucent</li> </ul> </li> </ul>	<ul style="list-style-type: none"> <li>MS approved and QPL'd per MIL-DTL-3950</li> <li>Thermoset molding materials meet flame retardant requirements</li> <li>Temperature range: -67°F to +160°F (-55°C to + 71°C)</li> <li>Life: 20,000 operations at rated load 40,000 operations mechanical life</li> </ul>	28VDC			115VAC 60 or 400Hz					
		No. of Poles	Catalog Number	Type of Operation	Resistive Load	Inductive Load	Lamp Load	Resistive Load	Inductive Load	Lamp Load
		1	8546	Maintained	20	15	5	15	10	3
				Momentary	15	10	4	15	7	2
	2	8547	Maintained	20	15	7	15	15	4	
		Momentary	18	10	5	11	8	2		
	4	8548	Maintained	20	12	5	15	15	4	
		Momentary	18	10	4	11	8	2		

## WHEN ORDERING SPECIFY . . .

- Catalog number of base switch followed by suffix letters and numbers for mounting bracket, rocker color and style as listed in selection table.

Order Example:



Sub-Panel Mounting



Flush Panel Mounting

## SELECTION TABLE

CIRCUIT WITH LEVER IN . . .			BASE CATALOG NUMBER <sup>②</sup>											
Up Position	Center Position	Down <sup>①</sup> Position (Keyway)	Single Pole		Double Pole		Four Pole		Frame Style	Code Letter	Rocker Style	Code Letter	Rocker Color	Code Letter
			LPS	M3950/14A <sup>③</sup>	LPS	M3950/14B <sup>③</sup>	LPS	M3950/14C <sup>③</sup>						
ON	OFF	ON	8546K1	M3950/14A21	8547K1	M3950/14B21	8548K1	M3950/14C21						
ON	NONE	OFF	K9	A22	K9	B22	K9	C22						
ON	NONE	ON	K4	A23	K4	B23	K4	C23					White	W
ON	OFF	NONE	K6	A24	K6	B24	K6	C24						
ON	NONE	ON*	K5	A26	K5	B26	K5	C26	Flush	F	Smooth	1	Red	R
* ON	OFF	ON*	K2	A27	K2	B27	K2	C27						
NONE	OFF	ON*	K7	A28	K7	B28	K7	C28						
ON	NONE	OFF*	K10	A29	K10	B29	K10	C29					Black	B
OFF	NONE	ON*	K11	A30	K11	B30	K11	C30						
ON	OFF	ON*	K3	A31	K3	B31	K3	C31	Sub	S	Serrated	2	Translucent	T
* ON	ON	NONE	K12	A32	K12	B32	K12	C32						
ON	ON	NONE	K13	A33	K13	B33	K13	C33						
ON	ON	ON			K15	B34	K15	C34						
ON	ON	ON*			K16	B35	K16	C35					Transparent	C
* ON	ON	ON*			K17	B36	K17	C36						

### \* Momentary Circuit.

See pages C26-C27 and C29-31 for circuit diagrams.

① Identification lug side.

② Incomplete Catalog Number - add suffix letters and numbers for Frame Style, Rocker Style and Rocker Color - see "When Ordering Specify."

③ Incomplete military part number - add suffix codes for Frame Style, Rocker Style and Rocker Color for complete military part number. (i.e. M3950/14A21F1W).

## REPLACEMENT BUTTON SELECTION TABLE

Color	Part Number (Smooth Button)
White	53-2161-2
Red	53-2161-3
Black	53-2161-4
Translucent	53-2415
Transparent	53-2161-6

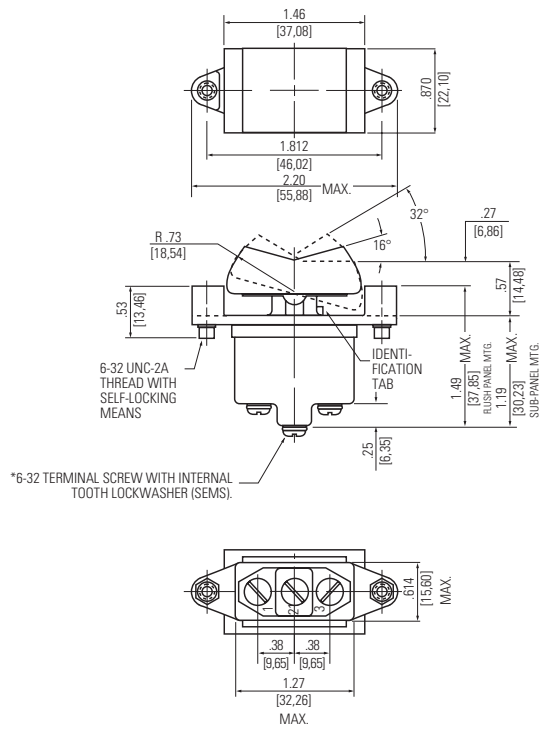
# ENVIRONMENTALLY SEALED ROCKER SWITCHES

Series - 8546, 8547, 8548

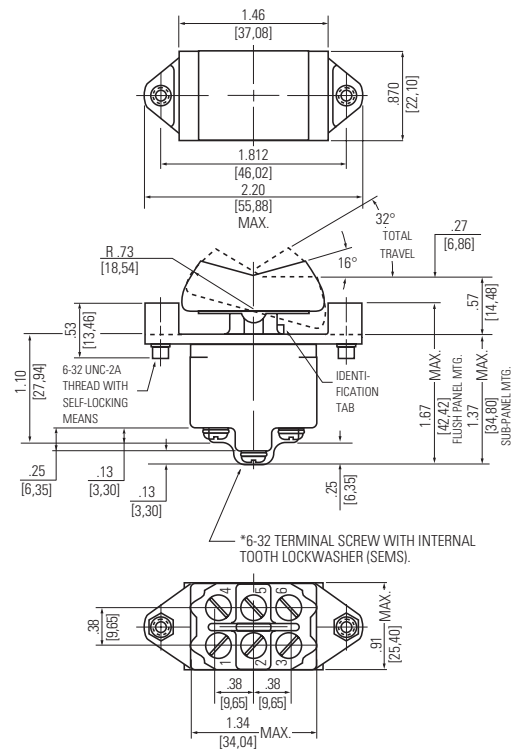
MIL-M3950/14

Environmentally Sealed Rocker Switches

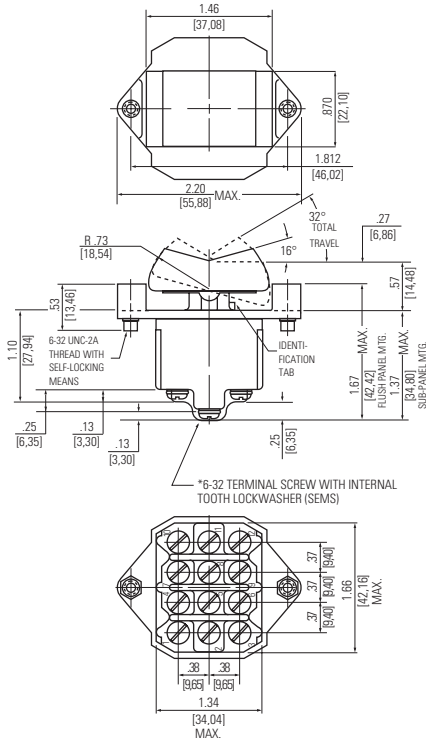
## DIMENSIONS - ONE POLE / 8546



## DIMENSIONS - TWO POLE / 8547



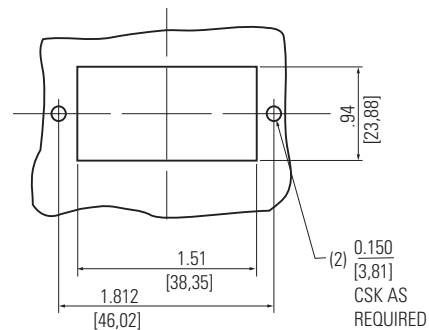
## DIMENSIONS - FOUR POLE / 8548



## OPTIONS/ACCESSORIES

- Special color rockers
- Hot branded lettering on rockers - smooth rockers only
- Spade terminals
- Special spade terminal adapters (0.250") [0,63]
- Special marking on switches
- Optional Actuator

## RECOMMENDED PANEL CUT-OUT



## STANDARD

0.00 = inches

[0,0] = mm

Mounting dimensions for reference only.