

PUSHBUTTON SWITCHES

Series - D200 Heavy Duty

Momentary Snap Action Pushbutton Switches

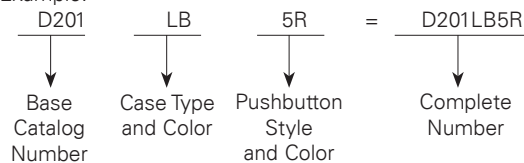
FEATURES	SPECIFICATIONS	CURRENT RATINGS						
		Part Number	Number of Poles	Operation	28VDC		115VAC	
					Resistive Load	Inductive Load	Resistive Load	Inductive Load ^①
<ul style="list-style-type: none"> High current carrying capability Heavy duty pushbutton Snap action mechanism Minimal arcing and contact wear Fast double break action Variety of case styles and colors Protective shields can be ordered separately to prevent accidental actuation on "W" case model Black pushbutton supplied as standard 	<ul style="list-style-type: none"> Operating force: 2.5 lbs ± .5 lb (11N ± 2.2N) D201 thru D205 4 lbs. ± 1 lb. (1779N ± 4.45N) D207 Electrical life: 25,000 operations minimum at rated load Total plunger travel (Approx.): 0.085 IN. (2.16mm), 0.438 IN. (11.12mm) with "L" Adapter Operating temperature: -40°F to +160°F (-40°C to +71°C) Momentary snap action Terminals: End Screw (Center Terminal Solder D207) Weight: "W" case 0.040 lb. (18g) "P" case 0.050 lb (23g) "L" case 0.045/ 0.055 lb (20g/25g) 	D201	1	Momentary	35	20	35	20
		D202	1	Momentary	35	20	35	20
		D203	1	Momentary	35	20	35	20
		D204	1	Momentary	15	—	15	—
		D205	1	Momentary	15	—	15	—
		D207	1	Momentary	10 ^②	—	10 ^②	—

① p.f.=.75
② 3 amps max. through center terminal.

WHEN ORDERING SPECIFY...


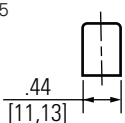

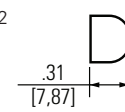

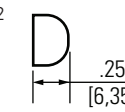
• **Catalog number of base switch** - followed by suffix letters and numbers for type and color of case and pushbutton

Order Example:



SELECTION TABLE

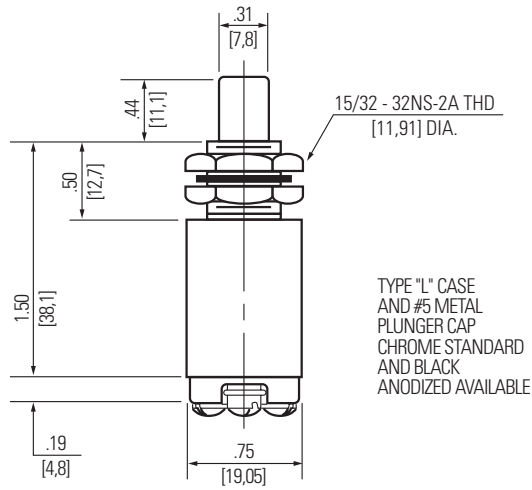
SERIES AND TYPE

D200 Series	Base Catalog Number	Circuit	Case and Type and Color	Code Suffix	Pushbutton Style and Color		Code Suffix
					Button Style	Color	
	D201	1 P.S.T.-NO Dbl. Brk.	Type "L"		 5/16 Diameter Typical	Chrome	5
	D202	1 P.S.T.-NC Dbl. Brk.	Black	LB		Black	5B
	D203	1 P.D.T.-2 Ckt	Clear	L			
	D204	S.P.-NO 3 Terminal	Type "P"		 3/8 Diameter Typical	Red	2R
	D205	S.P.-NC 3 Terminal	Black	PB		White	2W
			Clear	P		Black	2
					Red	3R	
	D207	S.P.-NO 4 Terminal	Type "W"		 3/8 Diameter Typical	Red	2R
			Black	WB		White	2W
			Clear	W		Black	2
					Red	3R	
					White	3W	
					Black	3	

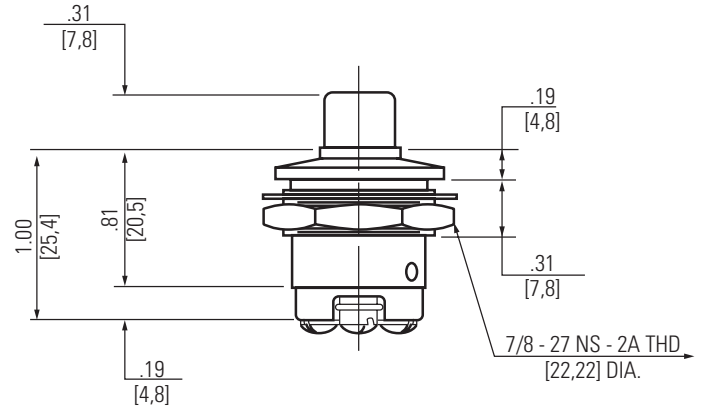
Series - D200 Heavy Duty

PUSHBUTTON SWITCHES Momentary Snap Action Pushbutton Switches

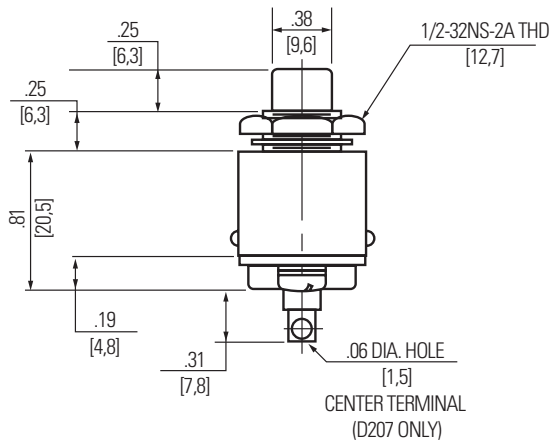
APPROXIMATE DIMENSIONS - D200 "L" CASE



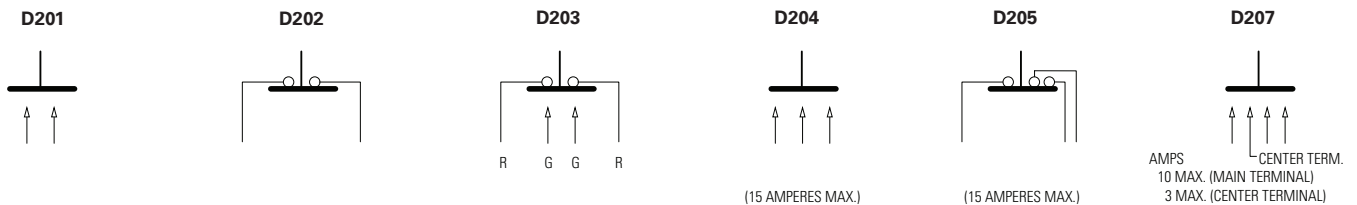
APPROXIMATE DIMENSIONS - D200 "P" CASE



APPROXIMATE DIMENSIONS - D200 "W" CASE



BASIC SWITCH AND SCHEMATIC DIAGRAM



STANDARD
0.00 = inches
[0,0] = mm

Dimensions for reference only.