

CHARACTERISTICS:

CONTACT ARRANGEMENT ----- S.P.D.T.
 ACTUATION FORCE ----- 30 OZ. MAX.
 RELEASE FORCE ----- 4 OZ. MIN. AT S.T.P.
 PRETRAVEL ----- .008 MAX.
 MOVEMENT DIFFERENTIAL ----- .005 MAX.
 OVERTRAVEL ----- .002 IN. MIN.
 LIFE AT RATED LOAD ----- 25,000 CYCLES
 AMBIENT TEMP RANGE ----- -85°F. TO +275°F
 MAX. ALLOWED APPLIED FORCE TO ACTUATOR ----- 5 LBS.
 DIELECTRIC STRENGTH ACROSS:
 OPEN TERMINALS ----- 800 VRMS
 TERMINALS TO CASE ----- 1050 VRMS
 VOLTAGE DROP AT 1 AMP ----- .040 PLUS .011 PER FOOT OF LEAD
 SEAL ----- HERMETIC SYMBOL 5 PER MIL-PRF-8805
 MAX. ALLOWED LEAKAGE ----- 1 X 10⁻⁸ STD CC He/Sec.
 BACKFILL ----- DRY NITROGEN

CURRENT CAPACITY:
 SEA LEVEL AND 70,000 FT. ALTITUDE

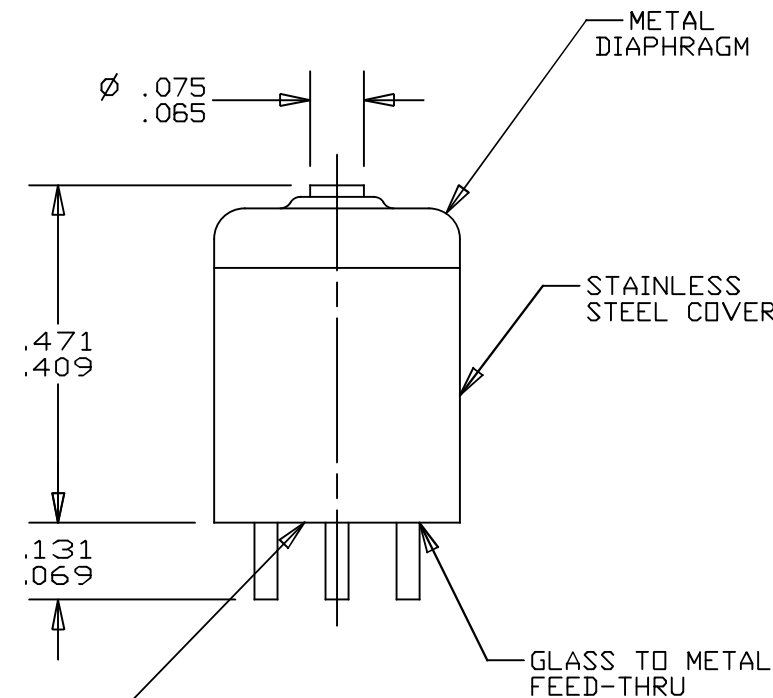
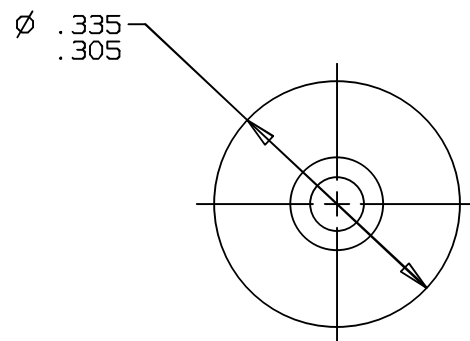
LOAD ----- 28 VOLTS D.C.
 RESISTIVE ----- 4 AMP
 INDUCTIVE ----- 1 AMP
 LAMP ----- 1 AMP

SHOCK RESISTANCE (WITHOUT CONTACT CHATTER) ----- 200 G'S

VIBRATION RESISTANCE (10-3000HZ) WITHOUT CONTACT CHATTER ----- 65 G'S

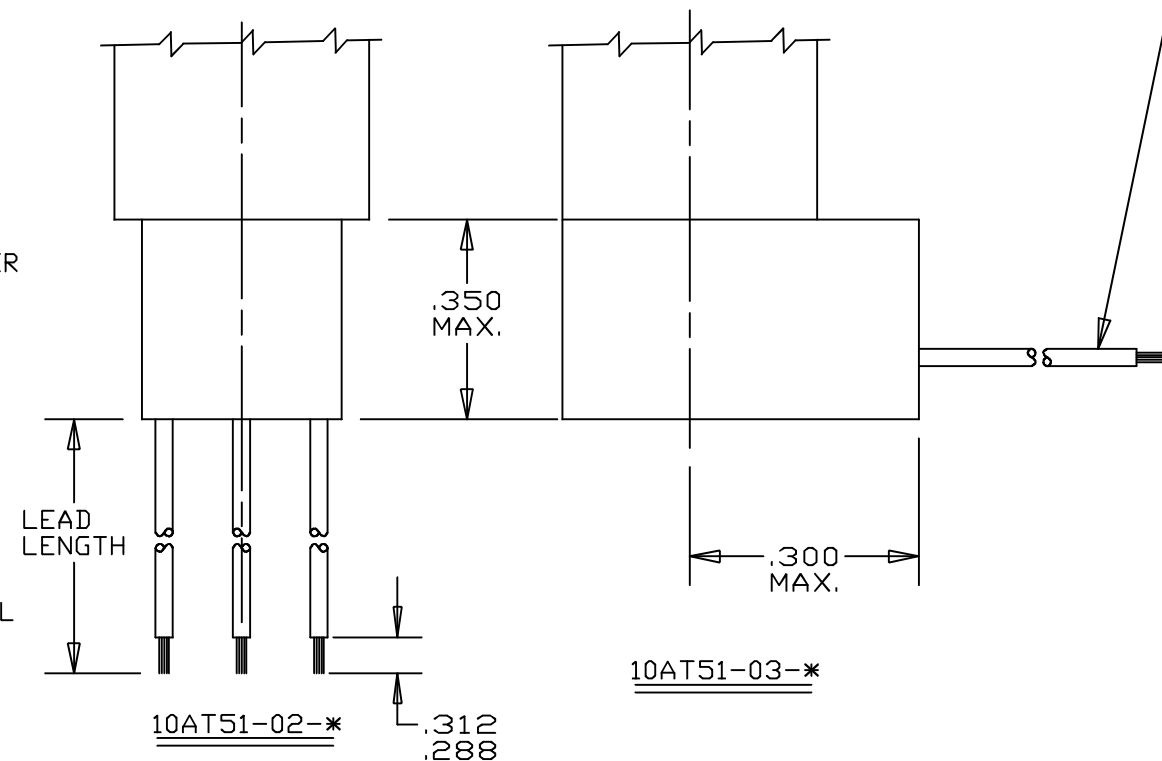
WEIGHT ----- .042 OZ. PLUS .10 OZ PER LEAD PER FT. OF WIRE

ZONE	REV.	REVISION DESCRIPTION	ECN NO.	DATE
C3	K	PER MIL-PRF-8805 WAS MIL-S-8805; ADD "SYMBOL 5" TO HERMETIC; CHANGE DRAWING TITLE; PD	ECO-124048	11-JAN-2016



TERMINAL IDENTIFICATION (ON GLASS)
 COM. - GREEN
 N.O. - PINK
 N.C. - BLACK

10AT51-1



AWG #20 WIRE LEADS PER MIL-W-22759/9 CODED:
 COM. - GREEN
 N.O. - RED
 N.C. - BLACK

CODED SYSTEM FOR DEVICES REQUIRING POTTING AND LEADS ONLY

PART NO EXAMPLE				
10AT	51-	0	2	-1
BASIC SWITCH	ENVELOPE CONFIGURATION	0=SPDT 1=SPST-N.C. 2=SPST-N.O.	2=LEADS PARALLEL TO AXIS OF SWITCH 3=LEADS AT RIGHT ANGLE TO AXIS OF SWITCH	1=6" MIN. 2=12" 3=18" 4=24" 5=30" 6=36" 7=42" 8=48" 9=60" 10=72"

*SEE LEAD LENGTH TABLE

FOR REFERENCE ONLY, CHECK LATEST REVISION BEFORE USE. PARTS MADE TO THIS PRINT MUST CONFORM TO E9898 REV. E

DRAWN J. PEARSON DATE 01-JUL-1970	ENGINEER D. BROWN DATE 02-JUL-1970	APPROVED H. BOLANGER DATE 02-JUL-1970	APPROVED	DATE
---	--	---	----------	------

SENSATA TECHNOLOGIES PROPRIETARY AND CONFIDENTIAL. NEITHER THIS PRINT NOR THE INFORMATION CONTAINED HEREON IS TO BE USED AGAINST THE INTERESTS OF SENSATA TECHNOLOGIES OR AGAINST THE INTERESTS OF ANY OF ITS AFFILIATED COMPANIES OR WHOLLY OWNED SUBSIDIARIES.

UNLESS OTHERWISE SPECIFIED DIMENSIONS ARE IN INCHES
 TOLERANCES DECIMALS ANGLES

DO NOT SCALE DRAWING THIRD ANGLE PROJECTION

8° 8° 8° 8° 8° 8°

Sensata Technologies 529 PLEASANT STREET
 P.O. BOX 2964
 ATTLEBORO, MA 02703

TITLE
 HERMETIC SWITCH

SIZE B	DWG NO. 10AT51	REV. K
SCALE 4:1	AUTOCAD	SHEET 1 OF 1