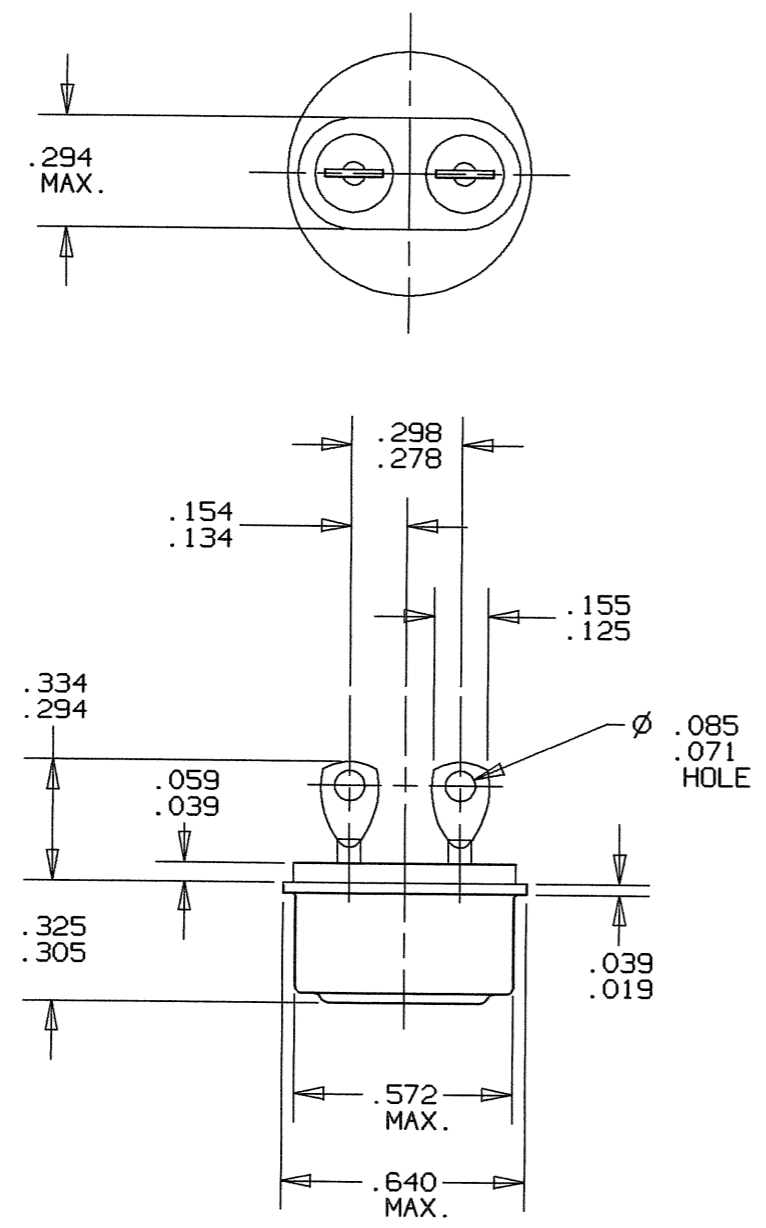


Property of
Sensata Technologies



REVISIONS					
ZONE	LTR	DESCRIPTION	PROJ.# 256A	DATE	APPROVED
C5	D	1: .334/.294 WAS .292 ±.015		11-28-95	S.B.M.
C4		2: .155/.125 WAS .127 ±.010			

CRM26059, CFF

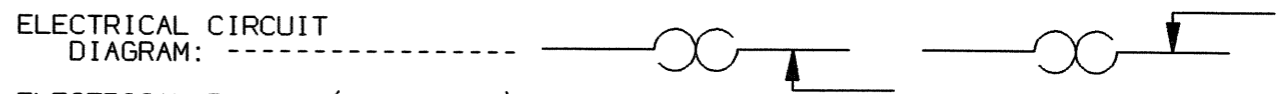
PART NO.: ----- 11041-11-*

OPERATING TEMPERATURE:
 OPEN: ----- °F. ± °F.
 CLOSE: ----- °F. ± °F.

FINISH: -----

WEIGHT: ----- GRAMS

AMBIENT TEMPERATURE
 EXPOSURE RANGE: ----- -65°F. TO +450°F.



ELECTRICAL RATING (RESISTIVE)

30 VAC/DC	125 VAC	250 VAC	LIFE CYCLES
AMPERES			
5.0	2.0	1.0	100,000
5.5	3.0	1.5	50,000
6.0	4.0	2.0	25,000
6.5	5.0	2.5	10,000
7.0	6.0	3.0	5,000

DIELECTRIC STRENGTH
 TERMINAL TO CASE: ----- 1250 VOLTS, RMS, 60 CYCLES FOR 1 MINUTE

NOTE: *FOR ORDERING PRODUCTION QUANTITIES TWO DASH NUMBERS ARE NECESSARY. THE SECOND DASH NO. WILL BE ASSIGNED WHEN OPERATING CHARACTERISTICS AND DESIGN DETAILS ARE ESTABLISHED.

SUPERSEDES DWG. 11041-11 REV."C", DATED 2-10-89

THIS IS A CAD DRAWING. THE GEOMETRY IN THE ASSOCIATED CAD COMPUTER FILE IS DIMENSIONALLY ACCURATE. WHEN DRAWING IS BEING REVISED, THE GEOMETRY MUST BE UPDATED IN ALL VIEWS AND ON ALL SHEETS.

UNLESS OTHERWISE SPECIFIED DIMENSIONS ARE IN INCHES		DRAWN C.F. FLEURANT	DATE 11-25-95	TEXAS INSTRUMENTS ATTLBORO, MASSACHUSETTS 02703	KLIXON CONTROL PRODUCTS DIVISION
TOLERANCES ON FRACTIONS DECIMALS ANGLES		ENGINEER S.B. MARQUIS	DATE 11-25-95		
MATERIAL		APPROVED		TITLE 11041-11-* THERMOSTAT SPST AUTO. RESET SEALED ENVELOPE DRAWING	
		APPROVED		SIZE B	CODE IDENT NO. 82647
		SIGNATURES ON FILE. REFER TO ELECTRONIC CHANGE NOTICE.		11041-11	