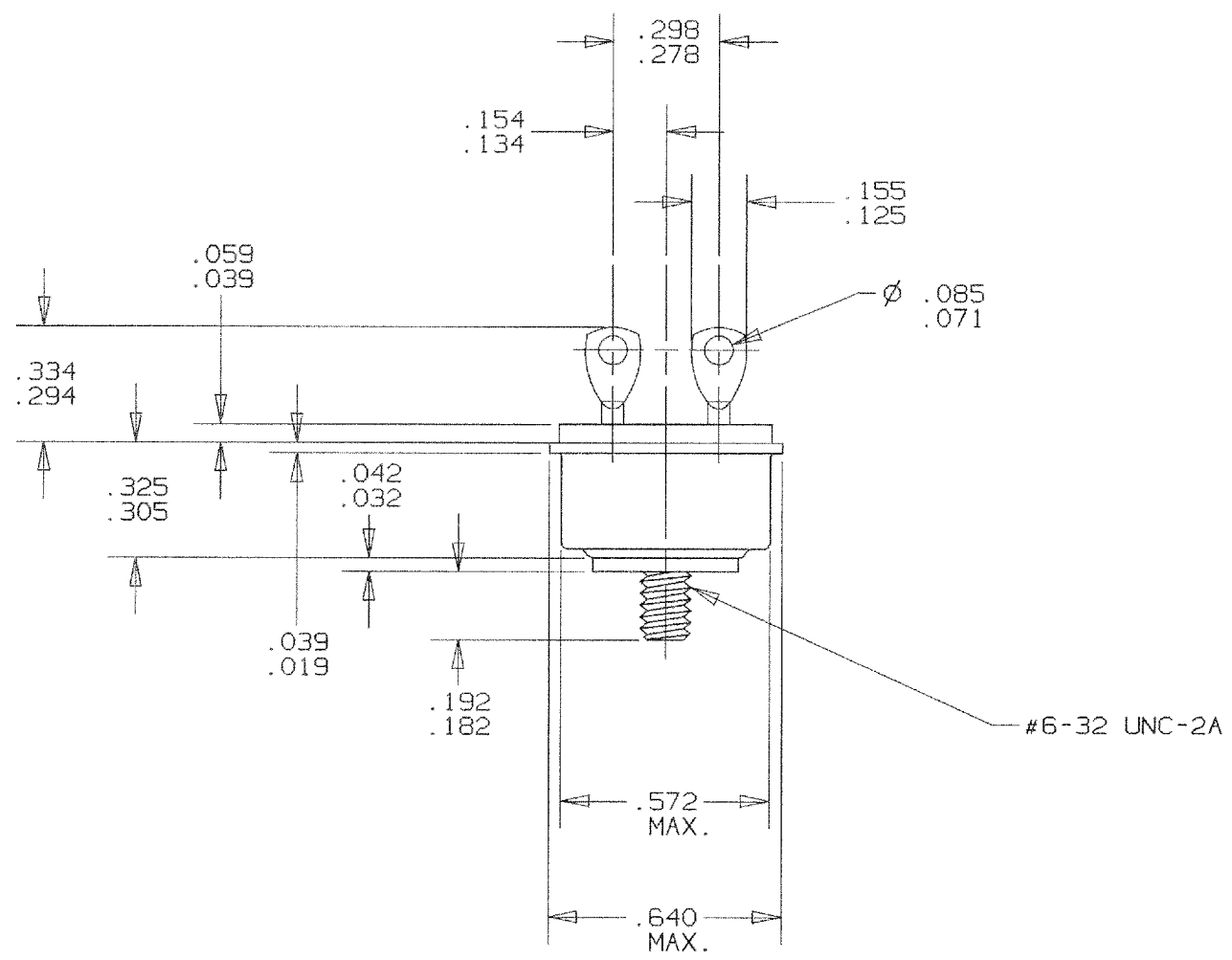
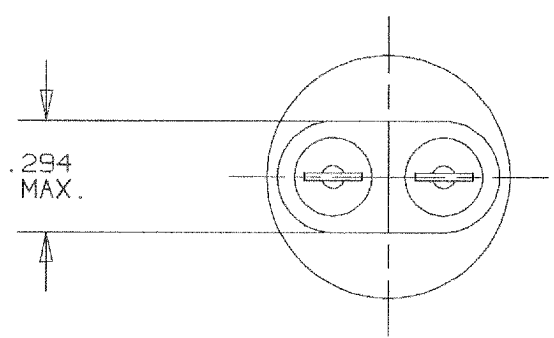


Property of
Sensata Technologies

| REVISIONS | | | | | |
|---------------|-----|-------------------------------|-------------|----------|----------|
| ZONE | LTR | DESCRIPTION | PROJ.# 256A | DATE | APPROVED |
| B5 | B | 1: .334/.294 WAS .292 ±.015 | | 10-16-95 | S.B.M. |
| C4 | | 1: Ø.085/.071 WAS Ø.078 ±.007 | | | |
| | | 2: .155/.125 WAS .127 ±.010 | | | |
| CRM24272, CFF | | | | | |



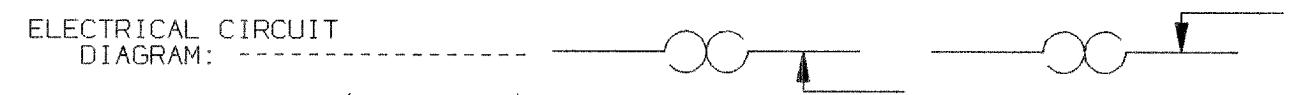
PART NO.: ----- 11041-32*

OPERATING TEMPERATURE:
 OPEN: ----- °F. ± °F.
 CLOSE: ----- °F. ± °F.

FINISH: -----

WEIGHT: ----- 5.9 GRAMS

AMBIENT TEMPERATURE
 EXPOSURE RANGE: ----- -65°F. TO +450°F.



ELECTRICAL RATING (RESISTIVE)

| 30 VAC/DC | 125 VAC | 250 VAC | LIFE CYCLES |
|-----------|---------|---------|-------------|
| | | | |
| 5.0 | 2.0 | 1.0 | 100,000 |
| 5.5 | 3.0 | 1.5 | 50,000 |
| 6.0 | 4.0 | 2.0 | 25,000 |
| 6.5 | 5.0 | 2.5 | 10,000 |
| 7.0 | 6.0 | 3.0 | 5,000 |

DIELECTRIC STRENGTH
 TERMINAL TO CASE: ----- 1250 VOLTS, RMS, 60 CYCLES FOR 1 MINUTE

NOTE: FOR ORDERING PRODUCTION QUANTITIES TWO DASH NUMBERS ARE NECESSARY.
 THE SECOND DASH NO. WILL BE ASSIGNED WHEN OPERATING CHARACTERISTICS
 AND DESIGN DETAILS ARE ESTABLISHED.

SUPERSEDES DWG. 11041-32 REV."A", DATED 2-7-898

| | | | | | | | | | |
|--|--|------------------------|--|--|--|--|--|-------------------------------------|----|
| THIS IS A CAD DRAWING. THE GEOMETRY IN THE ASSOCIATED CAD COMPUTER FILE IS DIMENSIONALLY ACCURATE. WHEN DRAWING IS BEING REVISED, THE GEOMETRY MUST BE UPDATED IN ALL VIEWS AND ON ALL SHEETS. | | | | | | | | | |
| | | | | | | | | Q4 | P8 |
| UNLESS OTHERWISE SPECIFIED DIMENSIONS ARE IN INCHES | | DRAWN J.D. MAYALL | | DATE 6-10-71 | | TEXAS INSTRUMENTS ATTLBORO, MASSACHUSETTS 02703 | | KLIXON CONTROL PRODUCTS DIVISION | |
| TOLERANCES ON FRACTIONS DECIMALS ANGLES | | ENGINEER J. DOHERTY | | DATE 6-10-71 | | | | | |
| MATERIAL | | APPROVED | | TITLE 11041-32 THERMOSTAT SPST AUTO. RESET SEALED ENVELOPE DRAWING | | SIZE B | | CODE IDENT NO. 82647 | |
| | | APPROVED | | | | 11041-32 | | | |
| SIGNATURES ON FILE. REFER TO ELECTRONIC CHANGE NOTICE. | | | | | | | | | |