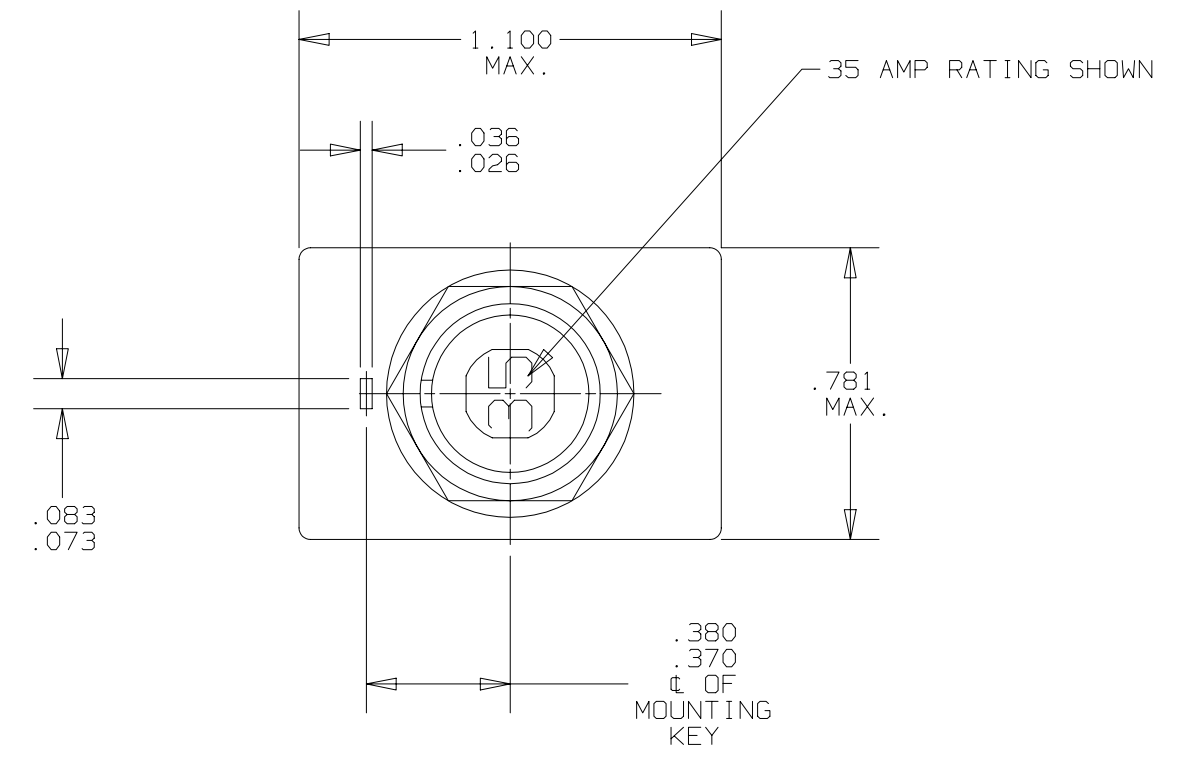


Property of
Sensata Technologies

REVISIONS					
ZONE	LTR	DESCRIPTION	1294	DATE	APPROVED
	M	UPDATED PER MARKUP AND REDRAWN IN CAD.	ECN0025542 PAF	1-5-06	DM



PERFORMANCE CHARACTERISTICS

OVERLOAD CYCLING	-----	100 CYCLES AT 200% RATING
VIBRATION	-----	10 G'S MINIMUM 50 - 500 HZ
MECHANICAL SHOCK	-----	25 G'S
ACCELERATION	-----	10 G'S
SAND & DUST	-----	12 HOURS
CORROSION	-----	SALT SPRAY 50 HOURS
HUMIDITY	-----	10 DAYS
EXPLOSION PROOF	-----	WHILE INTERRUPTING RUPTURE CURRENTS

ENDURANCE:

120 VAC	400 HZ INDUCTIVE	2,500 CYCLES
MECHANICAL	400 HZ RESISTIVE	5,000 CYCLES
	NO LOAD	10,000 CYCLES

CALIBRATION: 15 AMP THRU 35 AMP

	MIN. ULT. TRIP	MAX. ULT. TRIP	200%	500%	1000%
+25°C. (+77°F.)	115% RATING	138% RATING	4 - 20 SEC.	.4 - 1.7 SEC.	.1 - .4 SEC.
-54°C. (-65°F.)	115% RATING	165% RATING	6 - 35 SEC.	.55 - 3.0 SEC.	.15 - .7 SEC.
+71°C. (+160°F.)	100% RATING	138% RATING	3.0 - 15 SEC.	.33 - 1.5 SEC.	.08 - .35 SEC.

RUPTURE: 15 AMP THRU 35 AMP 120 VAC 400 HZ 2000 AMPERES

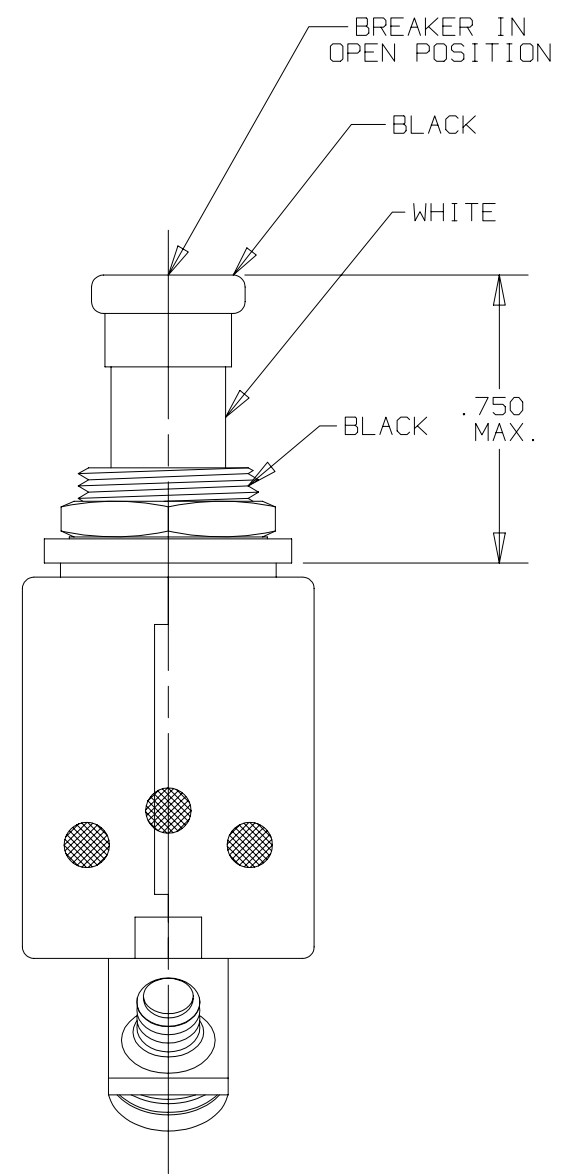
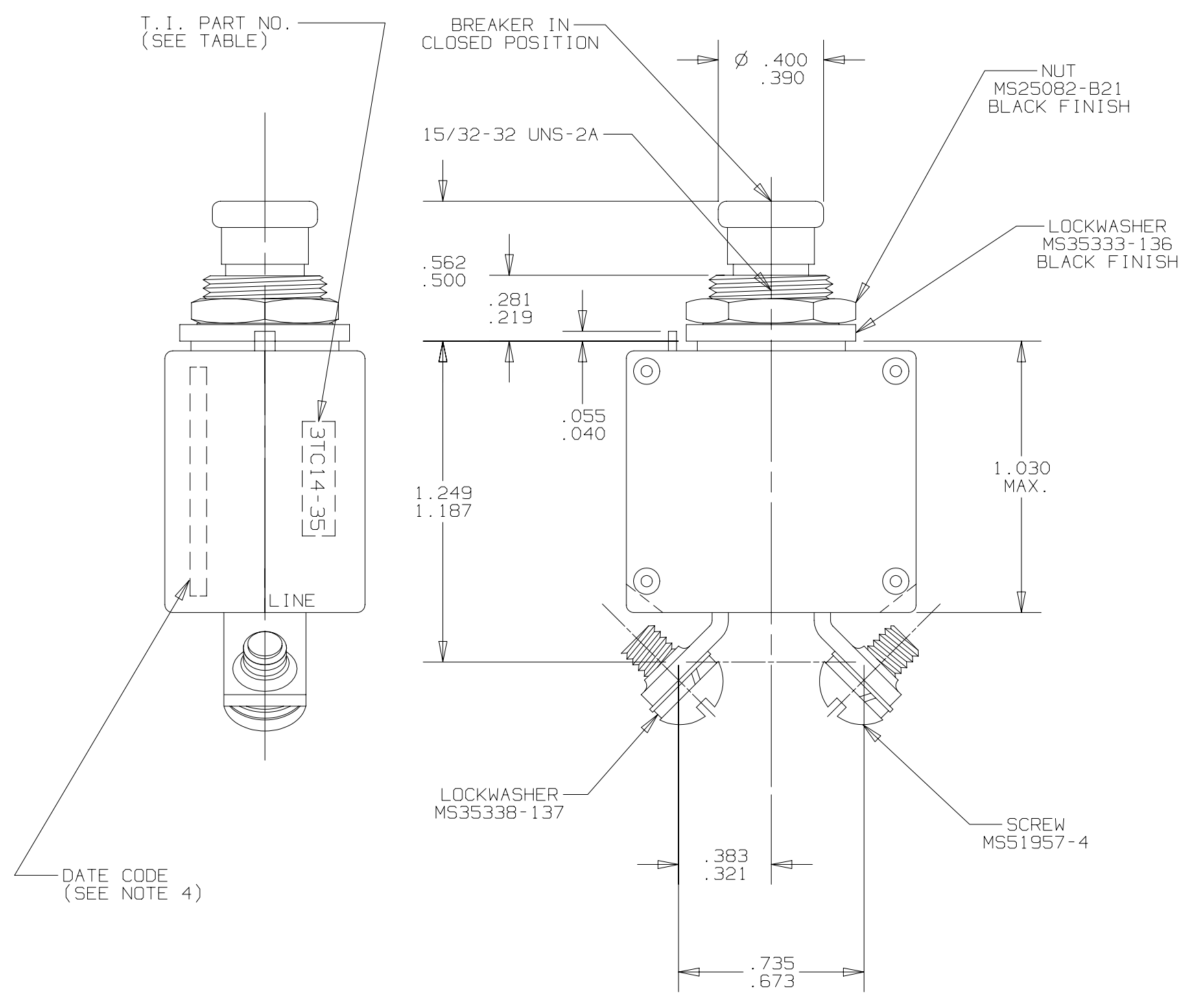
MAXIMUM OPERATING FORCES:
 PULL OUT ----- 5 LBS MAX. (22.2N)
 RESET ----- 5 LBS MAX. (22.2N)

OPERATING ALTITUDE: 70,000 FT. (21,000m)

WEIGHT/MASS: 37 GRAMS MAX. (.082 LBS.)
 35 GRAMS NOMINAL (.077 LBS.)

VOLTAGE DROP: 15 THRU 35 AMP ----- 0.25 VOLTS MAX.

T. I. PART NO.	AMP RATING
3TC14-15	15
3TC14-20	20
3TC14-25	25
3TC14-30	30
3TC14-35	35



- NOTES:**
- EPOXY SURFACES ARE NON-DIMENSIONED. ENVELOPE DRAWING DIMENSIONS DO NOT APPLY TO THESE PROJECTED EPOXY SURFACES.
 - TERMINAL AND MOUNTING HARDWARE MAY BE PACKAGED RATHER THAN INSTALLED.
 - COUNTRY OF ORIGIN TO BE IDENTIFIED AS REQUIRED.
 - DATE CODE PER 10588-285.
 - ALL MARKINGS TO BE MADE IN APPROXIMATE POSITIONS SHOWN, WITH BLACK INK PER 12506-70: 3/32 INCH HIGH CHARACTERS.

UNLESS OTHERWISE SPECIFIED DIMENSIONS ARE IN INCHES	DRAWN B. NICKERSON	DATE 2-12-70	TEXAS INSTRUMENTS ATTLEBORO, MASSACHUSETTS 02703	Klixon CONTROL PRODUCTS DIVISION
TOLERANCE ON FRACTIONS DECIMALS ANGLES	APPROVED T. BRASSARD	2-12-70		
	APPROVED T. BRASSARD	2-12-70	TITLE PART NO. 3TC14 AMBIENT COMPENSATED, HIGH TEMP PUSH-PULL TRIP-FREE CIRCUIT BREAKER ENVELOPE DRAWING	
MATERIAL			SIZE	CODE IDENT NO.
			C	82647
	SIGNATURES ON FILE. REFER TO ELECTRONIC CHANGE NOTICE.			3TC14