

4

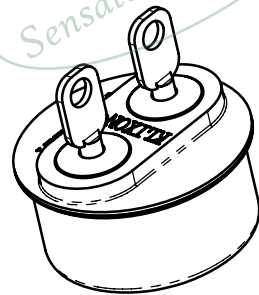
3

2

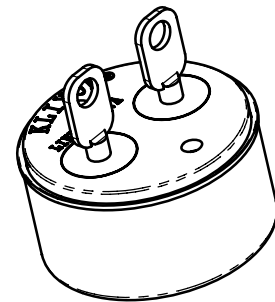
1

ZONE	REV.	REVISION DESCRIPTION	ECN NO.	DATE
C1	E	"UNPLATED" WAS "UPLATED"; PD	ECN0045915	14-OCT-2008

Property of
Sensata Technologies



CONFIGURATION 1



CONFIGURATION 2

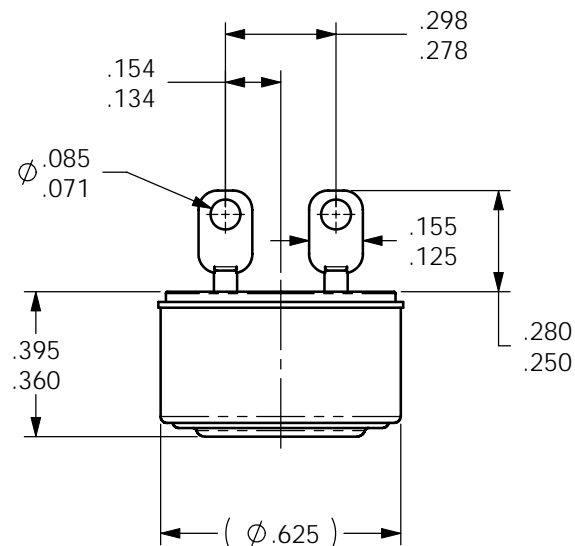
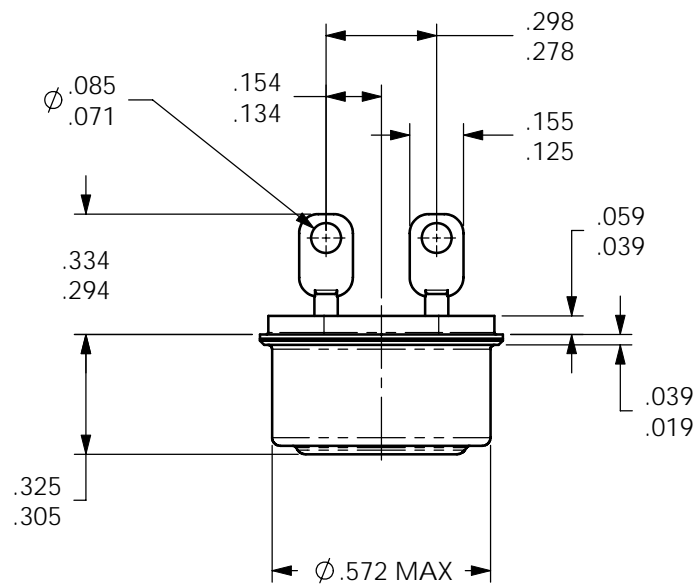
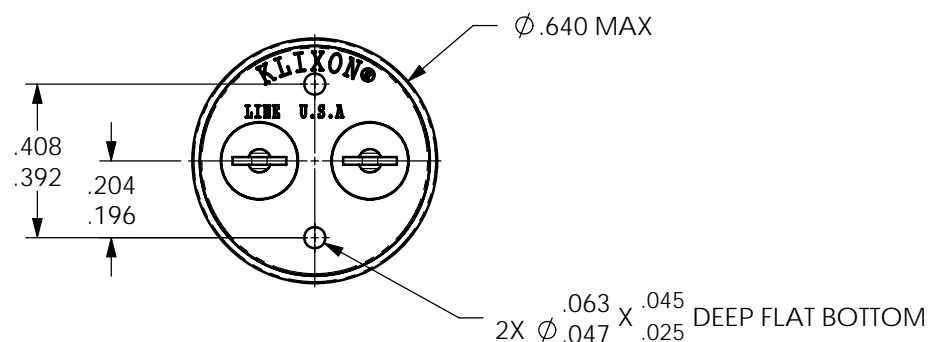
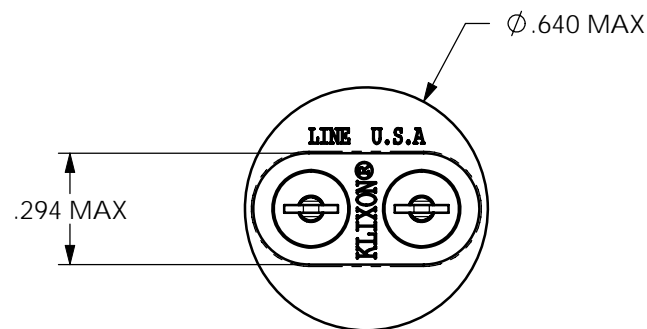
MATERIAL:

CONFIGURATION 1: COPPER-NICKEL PLATED
CARBON STEEL

CONFIGURATION 2: UNPLATED
304L STAINLESS STEEL

DIELECTRIC STRENGTH:

TERMINAL TO CASE, 1250VAC, FOR 1 MINUTE



FOR REFERENCE ONLY, CHECK LATEST REVISION BEFORE USE.
PARTS MADE TO THIS PRINT MUST CONFORM TO E9898 REV. E

DRAWN
CHAS. FLEURANT
DATE 14-MAY-1996

ENGINEER
S. MARQUIS
DATE 14-MAY-1996

APPROVED

DATE

APPROVED

DATE

NEITHER THIS PRINT NOR THE INFORMATION
CONTAINED HEREON IS TO BE USED AGAINST THE
INTERESTS OF SENSATA TECHNOLOGIES OR
AGAINST THE INTERESTS OF ANY OF ITS AFFILIATED
COMPANIES OR WHOLLY OWNED SUBSIDIARIES

UNLESS OTHERWISE SPECIFIED
DIMENSIONS ARE IN INCHES
TOLERANCES
DECIMALS ANGLES

THIRD ANGLE
PROJECTION

DO NOT SCALE DRAWING

SIZE
B



529 PLEASANT STREET
P.O. BOX 2964
ATTLEBORO, MA 02703

TITLE
4344-7 THERMOSTAT
SPST AUTO. RESET SEALED
ENVELOPE DRAWING

DWG NO. REV.

4344-7

E

SCALE 2:1 SOLIDWORKS SHEET 1 OF 1

4

3

2

1

DEVICE: 4344

PROJECT: 256A