

CHARACTERISTICS:

CONTACT ARRANGEMENT -----	S.P.D.T.
ACTION FORCE -----	35 OZ. MAX.
RELEASE FORCE -----	1 OZ. MIN.
PRETRAVEL -----	.250 MAX.
MOVEMENT DIFFERENTIAL -----	.050 MAX.
OVERTRAVEL -----	.015 MIN.
LIFE AT RATED LOAD -----	10,000 CYCLES
AMBIENT TEMPERATURE RANGE -----	-275°F TO +275°F
MAX. ALLOWED APPLIED FORCE TO ACTUATOR -----	5 LBS.
DIELECTRIC STRENGTH ACROSS:	
OPEN TERMINALS -----	800 VRMS (5 SEC.)
TERMINALS TO CASE -----	1000 VRMS (5 SEC.)
MILLIVOLT DROP AT 1 AMP (-1 ONLY)---	.040 VOLTS
SEAL -----	CLASS "5" HERMETIC PER MIL-S-8805
MAX. ALLOWED LEAKAGE -----	1x10 <sup>-8</sup> STD. CC HE/SEC.
BACK FILL -----	DRY NITROGEN

CURRENT CAPACITY

SEA LEVEL AND 70,000 FT. ALTITUDE	
LOAD	28 VOLTS DC
RESISTIVE	3 AMPS
INDUCTIVE	1 AMP L/R .026
LAMP	1 AMP

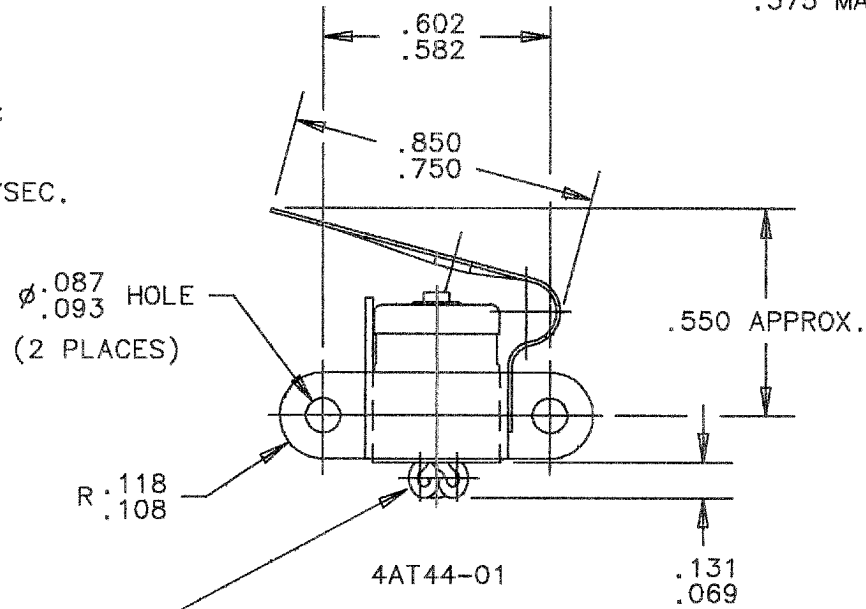
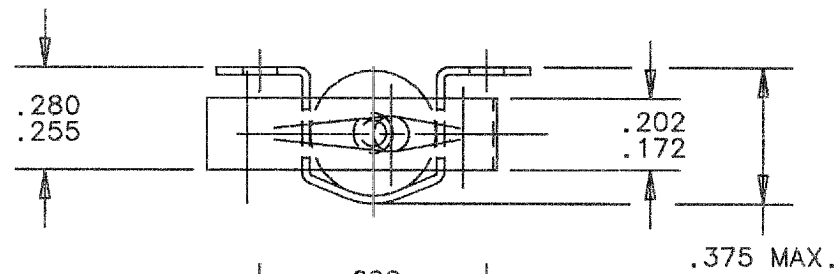
SHOCK RESISTANCE

WITHOUT CONTACT CHATTER -----	200 G's
VIBRATION RESISTANCE *(55-2000 CPS) WITHOUT CONTACT CHATTER -----	65 G's
WEIGHT (4AT44-01) -----	4 GRAMS

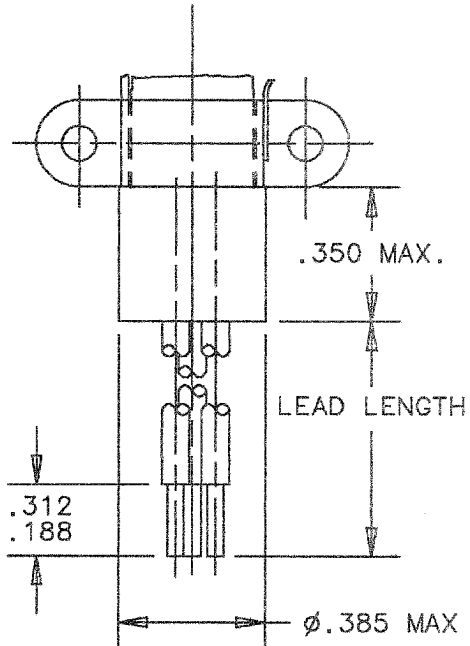
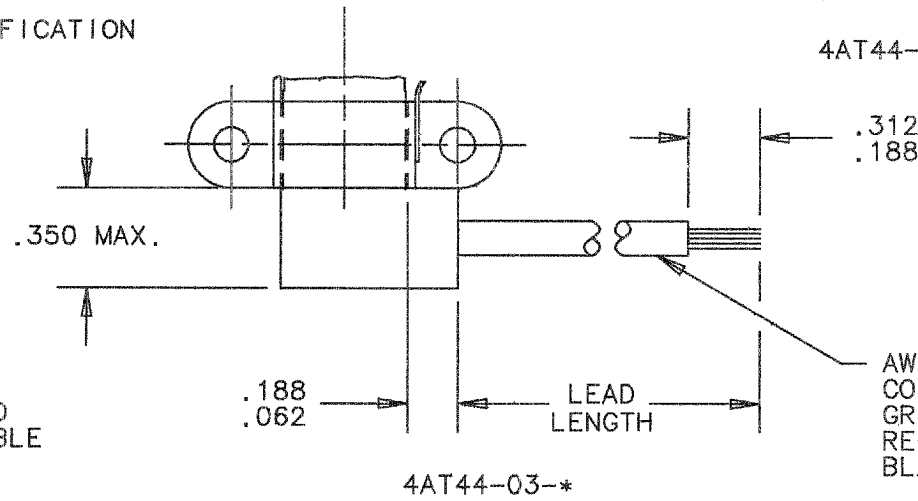
\*ACTUATION ARM MUST BE DEPRESSED A MINIMUM OF .025" FROM THE FREE POSITION TO PREVENT LARGE AMPLITUDE RESONANT VIBRATION.

4AT		44-		PART NUMBER EXAMPLE		-10	
BASIC SWITCH	ENVELOPE CONFIGURATION	0 = SPDT	1 = NO LEADS	1 = 6" MIN.			
		1 = SPST-NC	2=LEADS PARALLEL TO AXIS OF SWITCH	2 = 12" MIN.			
		2 = SPST-NO	3=LEADS AT RIGHT ANGLE TO AXIS OF SWITCH	3 = 18" MIN.			
				4 = 24" MIN.			
				5 = 30" MIN.			
				6 = 36" MIN.			
				7 = 42" MIN.			
				8 = 48" MIN.			
				9 = 60" MIN.			
				10 = 72" MIN.			

\* SEE LEAD LENGTH TABLE



TERMINAL IDENTIFICATION (ON GLASS)  
 GREEN - COM.  
 PINK - N.O.  
 BLACK - N.C.



REVISIONS					
ZONE	LTR	DESCRIPTION	PROJ.# 1005	DATE	APPROVED
B1	F	1; "MIL-W-22759/9" WAS "MIL-W-16878" 2; DELETED "TYPE EE"		4-7-92	PDS
			CRM08374, CF		

UNLESS OTHERWISE SPECIFIED DIMENSIONS ARE IN INCHES		BY ED JORGE	DATE 1-17-90	TEXAS INSTRUMENTS ATTLEBORO, MASSACHUSETTS 02703		KLIXON CONTROL PRODUCTS DIVISION	
TOLERANCES ON FRACTIONS DECIMALS INCHES		CH.		TITLE HERMETICALLY SEALED S.P.S.T. OR S.P.D.T. SWITCH LEAF ACTUATED ENVELOPE DRAWING			
MATERIAL		ENG. PD: SAMPSON	DATE 4-13-92	SIZE B CODE IDENT NO. 82647			
APPROVED				4AT44			
						SHEET 1 OF 1	