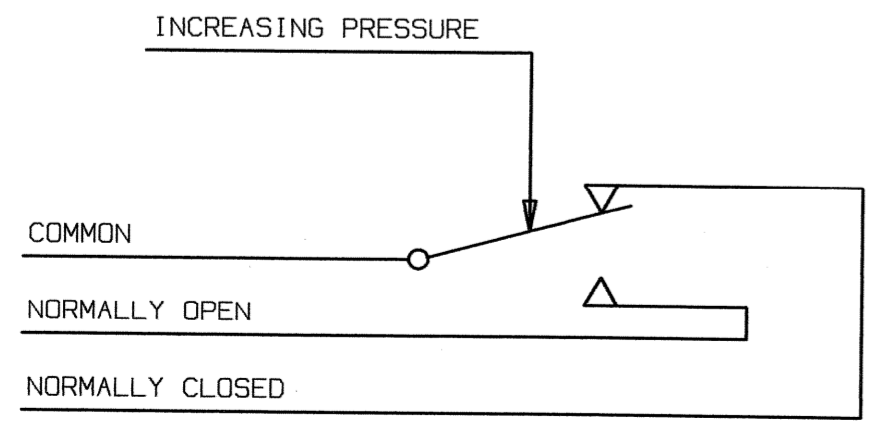
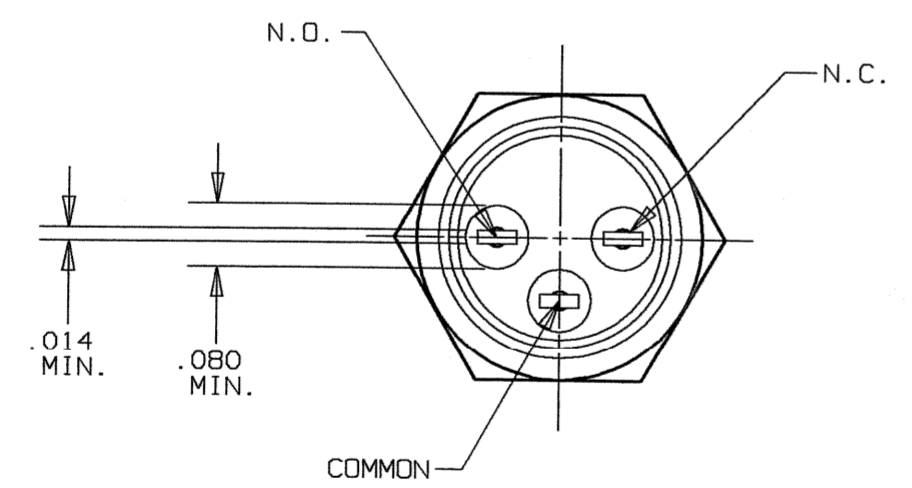
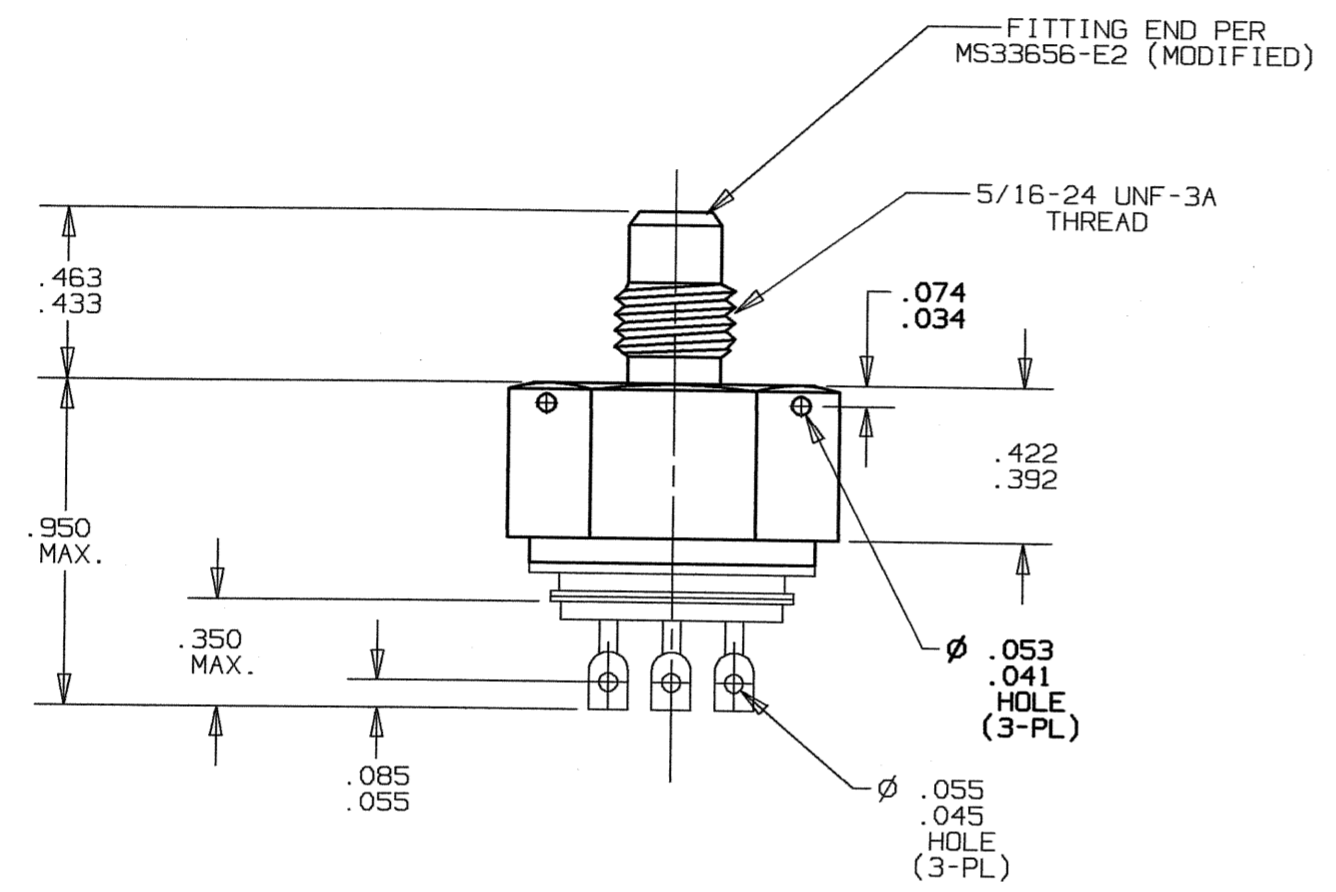
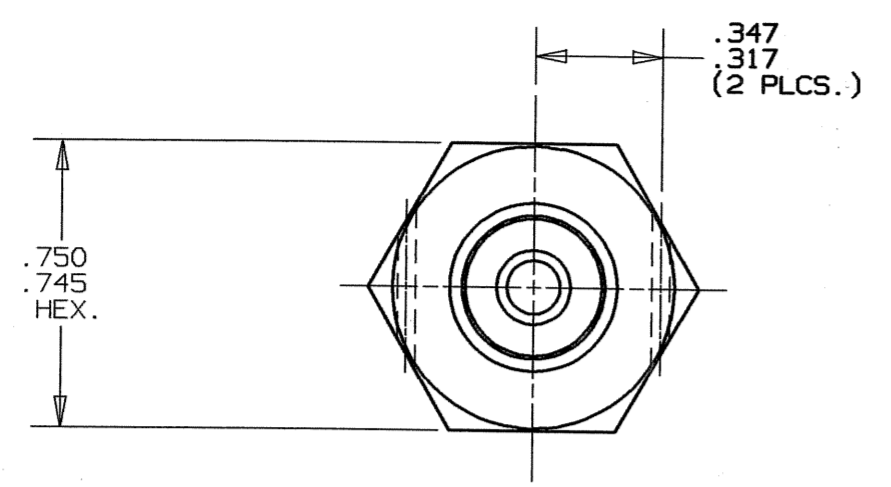


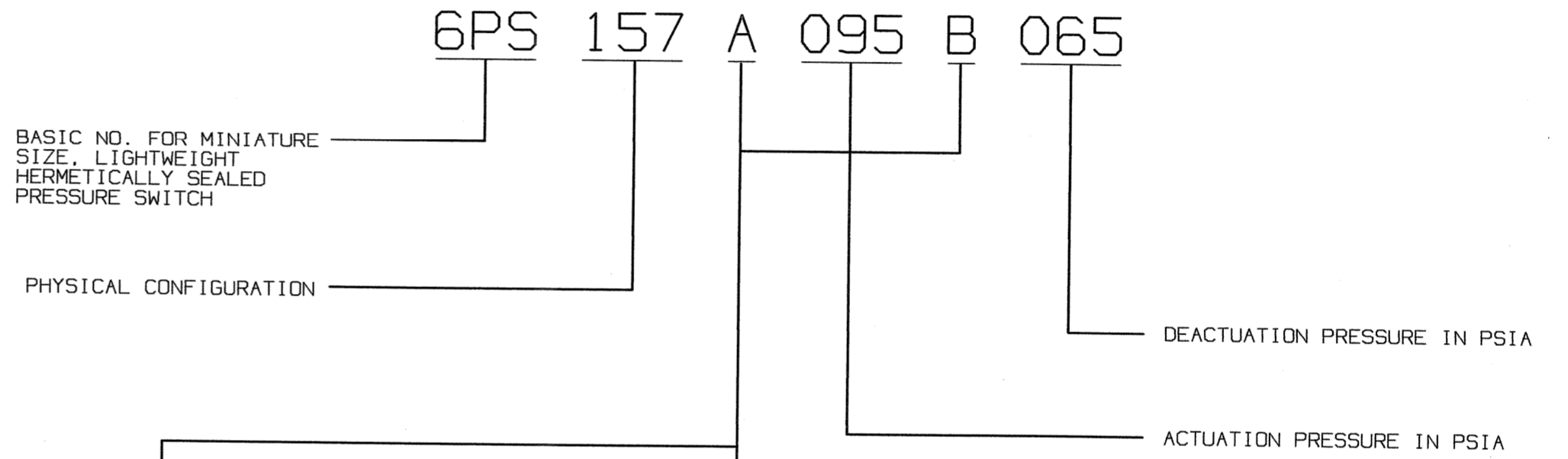
Property of
Sensata Technologies

REVISIONS						
ZONE	LTR	6PS	DESCRIPTION	PROJ. 1094	DATE	APPROVED
	A	1ST ISSUE		CR.M46603 JG	07/05/99	J.A.F.



CHARACTERISTICS

- RANGE OF ACTUATION PRESSURE SETTINGS AT S.T.P. ----- FROM 45 PSIA TO 600 PSIA
- RANGE OF RELEASE PRESSURE SETTINGS
STANDARD ----- 60% TO 85% OF ACTUATION PRESSURE
SPECIAL ----- 86% TO 90% OF ACTUATION PRESSURE
- RANGE OF TOLERANCES ON ACTUATION & RELEASE PRESSURE
STANDARD ----- TO ±6% (±10 PSI MIN.)
SPECIAL ----- TO ±4% (±5 PSI MIN.)
- RANGE OF PROOF PRESSURE ----- 8X ACTUATING PRESSURE (1000 PSI MIN.)
- RANGE OF BURST PRESSURE ----- 8,000 PSI
- RANGE OF TEMPERATURE RATINGS ----- -65°F. TO +275°F.
- LIFE AT RATED CURRENT ----- 50,000 CYCLES
- CURRENT CAPACITY
RESISTIVE ----- 5 AMP AT 28 VDC
INDUCTIVE ----- 2 AMP AT 28 VDC
LAMP ----- 1 AMP AT 28 VDC
- VIBRATION RESISTANCE ----- 25 G, 20 - 2000 CPS (NO CONTACT CHATTER IN EXCESS OF 10 MICROSECONDS)
- SHOCK RESISTANCE ----- OPERATING ----- 50 G (NO CONTACT CHATTER IN EXCESS OF 10 MICROSECONDS)
NON-OPERATING ----- 200 G (NO DAMAGE)
- DIELECTRIC STRENGTH
TERMINAL TO TERMINAL ----- 1000 VRMS
TERMINAL TO CASE ----- 1250 VRMS



CODE	TOLERANCE	CODE	TOLERANCE
A	±5 PSI	N	±17 PSI
B	±6 PSI	P	±18 PSI
C	±7 PSI	R	±19 PSI
D	±8 PSI	S	±20 PSI
E	±9 PSI	T	±25 PSI
F	±10 PSI	U	±30 PSI
G	±11 PSI	V	±35 PSI
H	±12 PSI	W	±40 PSI
J	±13 PSI	X	±50 PSI
K	±14 PSI	Y	MAX. PSI
L	±15 PSI	Z	MIN. PSI
M	±16 PSI		

THIS IS A CAD DRAWING. THE GEOMETRY IN THE ASSOCIATED CAD COMPUTER FILE IS DIMENSIONALLY ACCURATE. WHEN DRAWING IS BEING REVISED, THE GEOMETRY MUST BE UPDATED IN ALL VIEWS AND ON ALL SHEETS.

UNLESS OTHERWISE SPECIFIED DIMENSIONS ARE IN INCHES	DRAWN JOSE GONZALEZ	DATE 07/02/99	Q13 P18 P3
TOLERANCE ON FRACTIONS DECIMALS ANGLES	ENGINEER J.A. FOURNIER	APPROVED D.R. PETRIE	TITLE 6PS 157 PRESSURE SWITCH ENVELOPE DRAWING
MATERIAL	SIGNATURES ON FILE. REFER TO ELECTRONIC CHANGE NOTICE.		SIZE CODE IDENT NO. 82647
			6PS 157

TEXAS INSTRUMENTS
ATTLEBORO, MASSACHUSETTS 02703
KLIXON
CONTROL PRODUCTS DIVISION