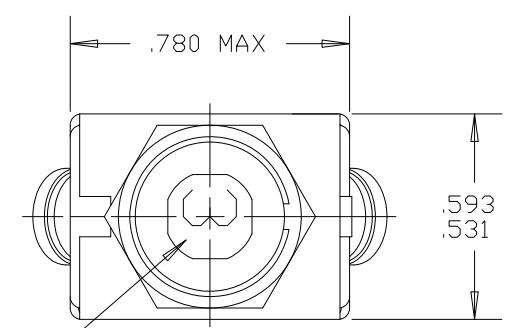
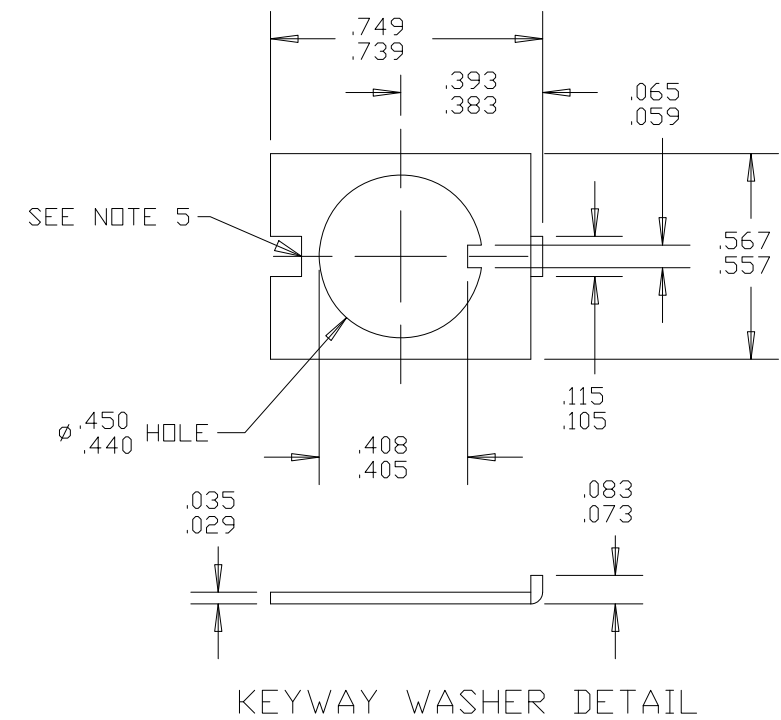


Property of
Sensata Technologies

ZONE	REV.	REVISION DESCRIPTION	ECN NO.	DATE
C4	AP	.780 MAX WAS .781/.719; PD	ECO-111344	25-FEB-2015



PERFORMANCE CHARACTERISTICS (DETAIL PERFORMANCE PER MIL-C-5809)

OVERLOAD CYCLING ----- 100 CYCLES AT 200% RATING
 SINUSOIDAL VIBRATION ----- 10 G'S 50-500 HZ
 MECHANICAL SHOCK ----- 30 G'S AT 11.0 MILLISECOND DURATION
 ACCELERATION ----- 10 G'S MINIMUM
 SAND AND DUST ----- 12 HOURS
 CORROSION ----- SALT SPRAY 48 HOURS
 HUMIDITY ----- 10 DAYS
 EXPLOSION PROOF ----- WHILE INTERRUPTING RUPTURE CURRENTS
 MOUNTING NUT TORQUE ----- 40 LB.-IN. MAX.

MAXIMUM OPERATING ALTITUDE: 80,000 FT. (24,384 M)

WEIGHT: 28.0 GRAMS MAX.

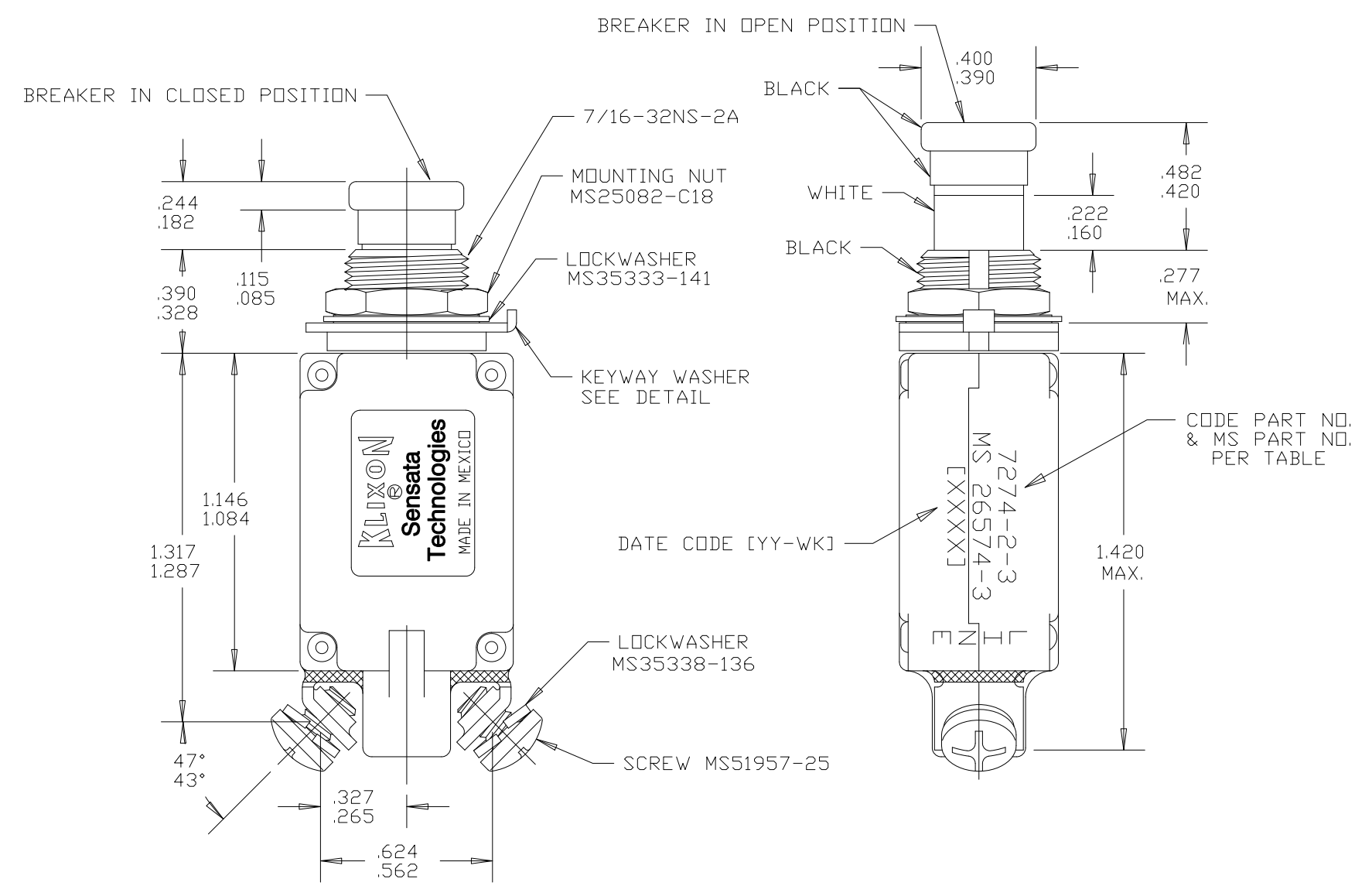
MAXIMUM OPERATING FORCES:
 PULL OUT ----- 5 LBS. MAX. (222 N)
 RESET ----- 5 LBS. MAX. (222 N)

ENDURANCE:
 120 VAC ----- 400 HZ INDUCTIVE ----- 2500 CYCLES
 120 VAC ----- 400 HZ RESISTIVE ----- 5000 CYCLES
 30 VDC ----- INDUCTIVE ----- 2500 CYCLES
 30 VDC ----- RESISTIVE ----- 5000 CYCLES
 NO LOAD ----- MECHANICAL ----- 5000 CYCLES

CALIBRATION:

AMBIENT TEMP.	HOLD	TRIP	200%	500%	1000%
+25°C (+77°F)	115% RATING	150% RATING	2-20 SEC. .16-1.2 SEC.	.046-0.8 SEC.	-----
-55°C (-67°F)	135% RATING	180% RATING	-----	-----	-----
+71°C (+160°F)	90% RATING	130% RATING	-----	-----	-----

PART NO.	MS PART NO.	AMP RATING	MAXIMUM VOLTAGE DROP	CURRENT INTERRUPTING CAPACITY	
				120 VAC, 400 HZ	28 VDC
7274-2-1/2	MS 26574-1/2	1/2	2.00	UNLIMITED	UNLIMITED
7274-2-3/4	MS 26574-3/4	3/4	1.45	UNLIMITED	UNLIMITED
7274-2-1	MS 26574-1	1	1.10	UNLIMITED	UNLIMITED
7274-2-1 1/2	MS 26574-1-1/2	1 1/2	0.75	UNLIMITED	UNLIMITED
7274-2-2	MS 26574-2	2	0.75	800 AMPS	UNLIMITED
7274-2-2 1/2	MS 26574-2-1/2	2 1/2	0.70	800 AMPS	UNLIMITED
7274-2-3	MS 26574-3	3	0.55	800 AMPS	UNLIMITED
7274-2-3 1/2	MS 26574-3-1/2	3 1/2	0.50	800 AMPS	UNLIMITED
7274-2-4	MS 26574-4	4	0.45	800 AMPS	UNLIMITED
7274-2-5	MS 26574-5	5	0.35	800 AMPS	UNLIMITED
7274-2-7 1/2	MS 26574-7-1/2	7 1/2	0.30	500 AMPS	2000 AMPS
7274-2-10	MS 26574-10	10	0.28	500 AMPS	2000 AMPS
7274-2-15		15	0.25	500 AMPS	800 AMPS
7274-2-20		20	0.25	500 AMPS	800 AMPS
7274-2-25		25	0.25	500 AMPS	800 AMPS



NOTES:

- ALL MOUNTING HARDWARE HAS A DULL BLACK FINISH.
- CIRCUIT BREAKERS ARE SUITABLE FOR MOUNTING IN A 1/8" THICK PANEL OR LESS.
- EPOXY SURFACES ARE NON-DIMENSIONED, ENVELOPE DIMENSIONS DO NOT APPLY TO THESE PROJECTED EPOXY SURFACES.
- 1/2 THRU 10 AMP CIRCUIT BREAKERS ARE QUALIFIED TO MS 26574.
- NON FUNCTIONAL NOTCH ON THE BACK OF THE KEYWAY WASHER IS OPTIONAL.
- DATE CODE PER 10588-285.

FOR REFERENCE ONLY, CHECK LATEST REVISION BEFORE USE. PARTS MADE TO THIS PRINT MUST CONFORM TO E9898 REV. E		529 PLEASANT STREET P.O. BOX 2964 ATTLEBORO, MA 02703	
DRAWN TOM DAIL DATE 14-JAN-1991	ENGINEER K.B. GASSER DATE 04-NOV-1992	SENSATA TECHNOLOGIES PROPRIETARY AND CONFIDENTIAL. NEITHER THIS PRINT NOR THE INFORMATION CONTAINED HEREON IS TO BE USED AGAINST THE INTERESTS OF SENSATA TECHNOLOGIES OR AGAINST THE INTERESTS OF ANY OF ITS AFFILIATED COMPANIES OR WHOLLY OWNED SUBSIDIARIES. UNLESS OTHERWISE SPECIFIED DIMENSIONS ARE IN INCHES TOLERANCES DECIMALS ANGLES	
APPROVED D.R. PETRIE DATE 21-DEC-1994	APPROVED	TITLE 7274-2 STYLE CIRCUIT BREAKER PUSH-PULL, TRIP FREE ENVELOPE DRAWING	
DATE	DO NOT SCALE DRAWING	THIRD ANGLE PROJECTION	SIZE DWG NO. 7274-2 SCALE 1:1 AUTOCAD SHEET 1 OF 1