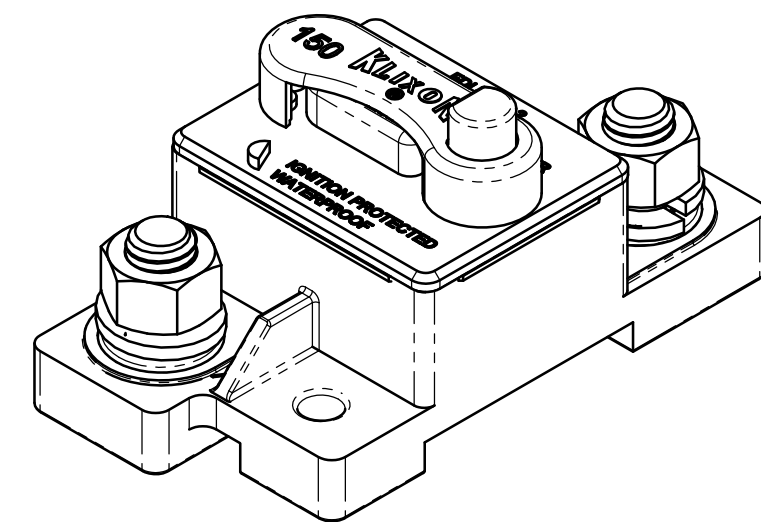
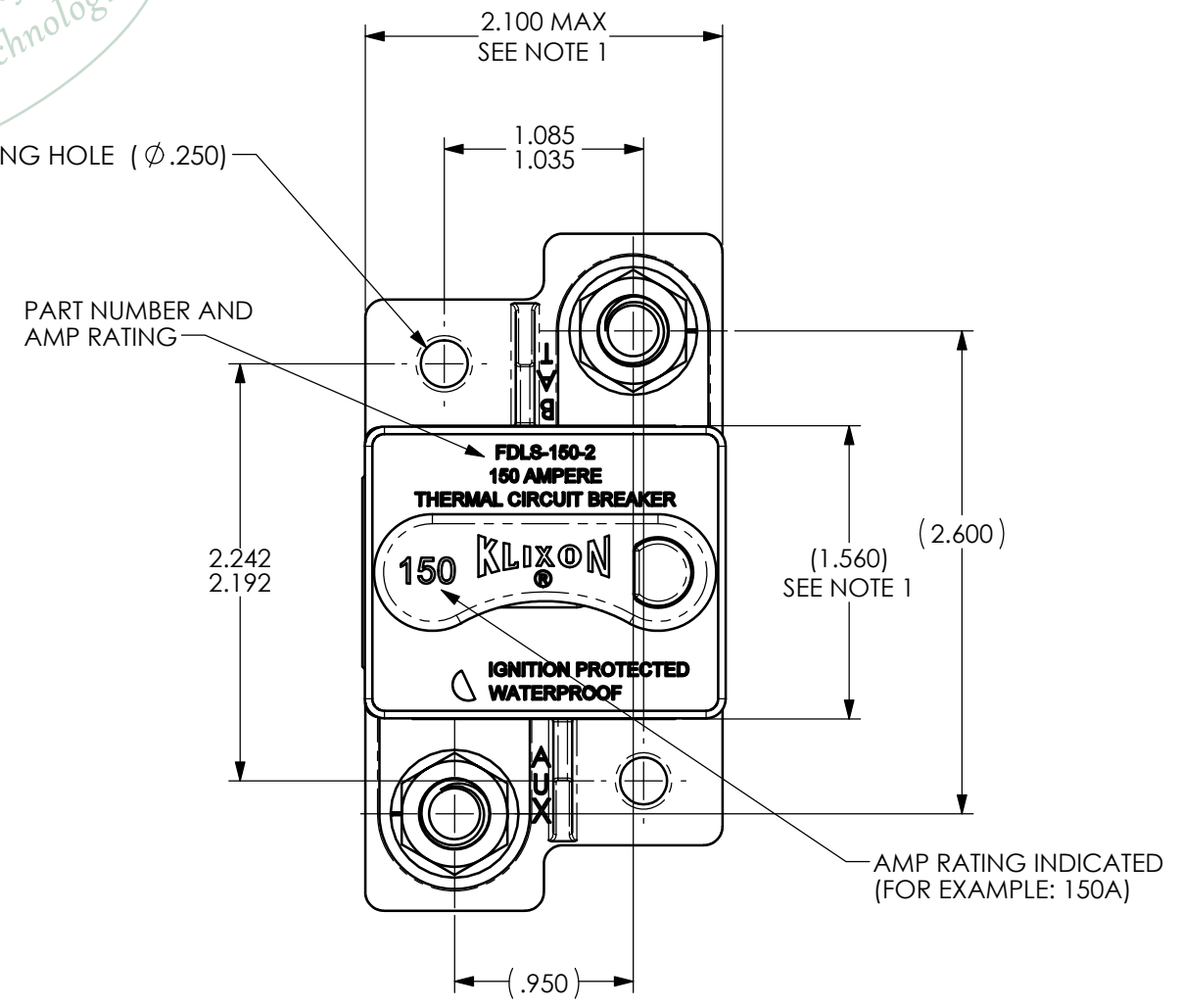


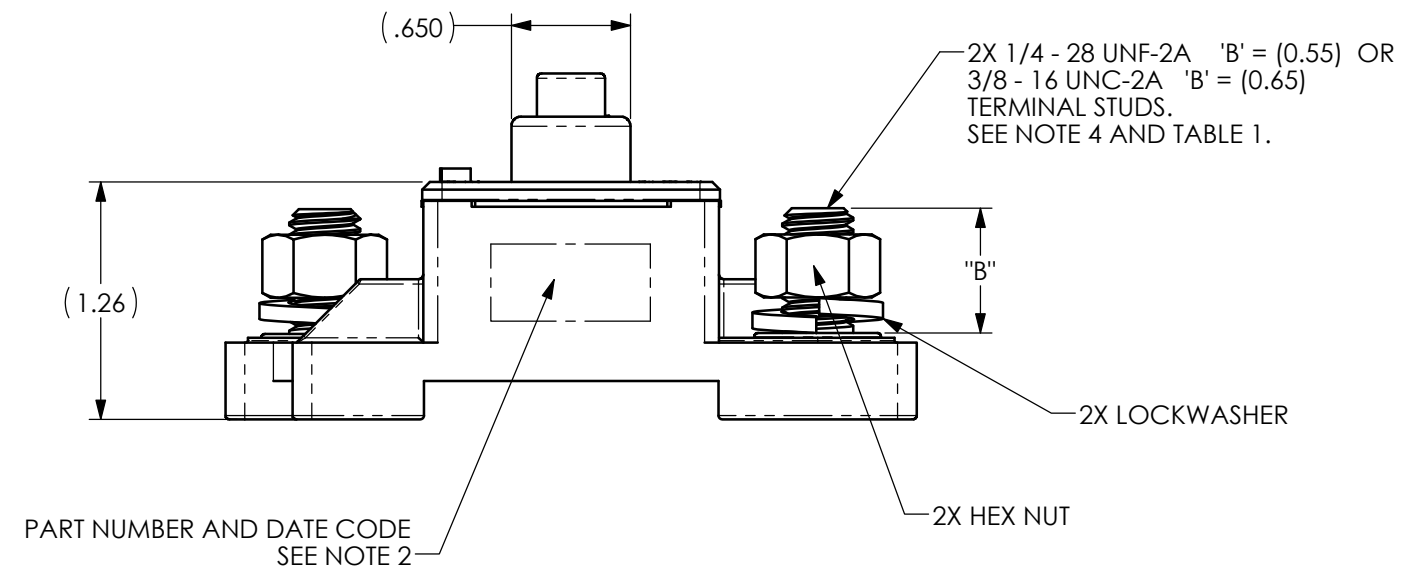
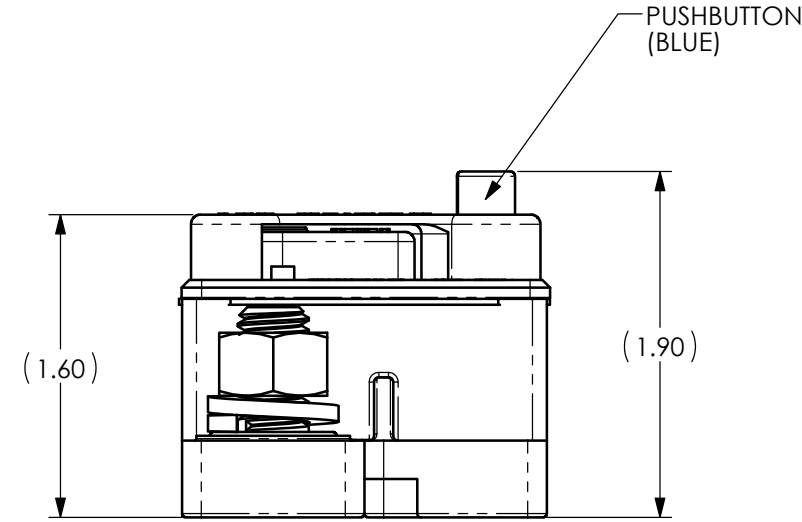
ZONE	REV.	REVISION DESCRIPTION	ECN NO.	DATE
	J	CORRECTION TO ASSEMBLY VIEWS PER BOM; JG	ECO-136892	02-SEP-2016

Property of  
Sensata Technologies



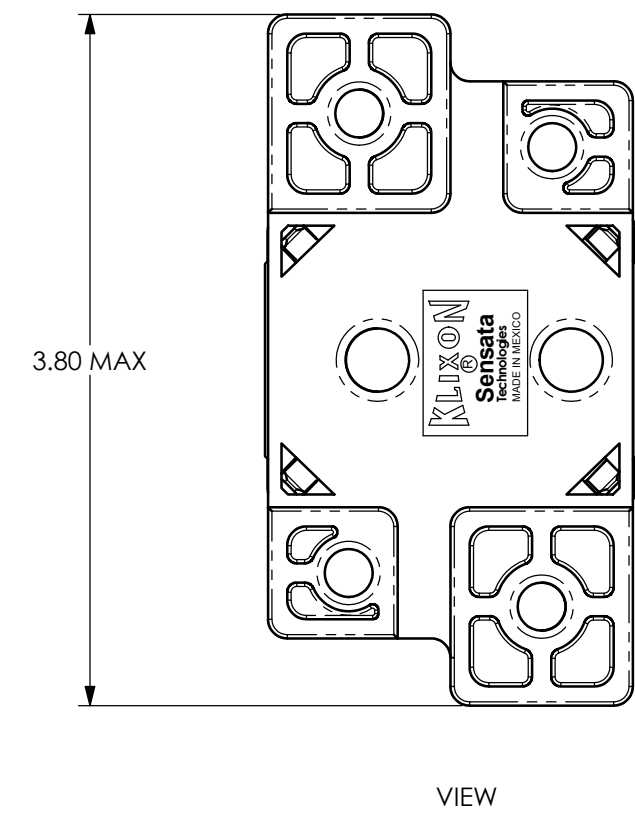
PERFORMANCE CHARACTERISTICS

VOLTAGE RATING	30VDC
200% OVERLOAD	8-100 SECONDS
35-150 AMPS	
ULTIMATE TRIP % AT 77°F RATED CURRENT	
MINIMUM	100%
MAXIMUM	135%
INTERRUPT CAPACITY	SAE J1625 AND ABYC-E11
ENDURANCE	100 CYCLES AT 600% RATED CURRENT PER SAE J1625
DIELECTRIC STRENGTH	1500 VAC MINIMUM MIL-STD-202 METHOD 301
INSULATION RESISTANCE	100 MOHMS MINIMUM MIL-STD-202 METHOD 302 CONDITION B
VIBRATION RESISTANCE	4 g'S, 10-2K HZ SAE J1455
SALT SPRAY	96 HOURS PER SAE J1455
IGNITION PROTECTED	SAE J1171
WEATHERPROOF	SAE J1625
WEIGHT	153 GRAMS MAX.



NOTES:

- DIMENSIONS 1.560 REF AND 2.100 MAX DO NOT INCLUDE GASKET.
- THE COMPLETE PART NUMBER WITH THE AMP RATING AND DATE CODE CAN BE STAMPED ON EITHER SIDE OF THE CIRCUIT BREAKER.
- CIRCUIT BREAKER CAN INCLUDE HARDWARE AS SHOWN IN DRAWING.
- THE COMPLETE CIRCUIT BREAKER PART NUMBER REQUIRES SUBSTITUTING OF THE LETTERS (-XX-) WITH THE SPECIFIC AMP RATING SPECIFIED BY THE CUSTOMER AS PER TABLE 1.  
FOR CIRCUIT BREAKER WITH 1/4 - 28 UNF TERMINAL STUDS USE FDSL-XX-1 'B' = (0.55)  
FOR CIRCUIT BREAKER WITH 3/8 - 16 UNC TERMINAL STUDS USE FDSL-XX-2 'B' = (0.65)



**TABLE 1**

PART NO.	AMP RATING
FDSL-XX-X	XX
FDSL-35-X	35
FDSL-40-X	40
FDSL-45-X	45
FDSL-50-X	50
FDSL-60-X	60
FDSL-70-X	70
FDSL-80-X	80
FDSL-90-X	90
FDSL-100-X	100
FDSL-105-X	105
FDSL-110-X	110
FDSL-120-X	120
FDSL-135-X	135
FDSL-150-X	150

SEE NOTE 4

FOR REFERENCE ONLY, CHECK LATEST REVISION BEFORE USE. PARTS MADE TO THIS PRINT MUST CONFORM TO E9898 REV. E.		529 PLEASANT STREET P.O. BOX 2964 ATTLEBORO, MA 02703	
DRAWN C.RODZEN DATE 15-MAR-2006 ENGINEER A.KRISHNAMURTHY DATE 15-MAR-2006 APPROVED P.BERG DATE 15-MAR-2006 APPROVED A.NAULT DATE 15-MAR-2006	SENSATA TECHNOLOGIES PROPRIETARY AND CONFIDENTIAL. NEITHER THIS PRINT NOR THE INFORMATION CONTAINED HEREON IS TO BE USED AGAINST THE INTERESTS OF SENSATA TECHNOLOGIES OR AGAINST THE INTERESTS OF ANY OF ITS AFFILIATED COMPANIES OR WHOLLY OWNED SUBSIDIARIES.	TITLE SWITCHABLE SURFACE MOUNT 1 1/2 THERMAL CIRCUIT BREAKER	REV. J
DO NOT SCALE DRAWING THIRD ANGLE PROJECTION	SIZE C SCALE 1:1 SOLIDWORKS	DWG NO. FDLS SHEET 1 OF 1	PROJECT: EX95 1