

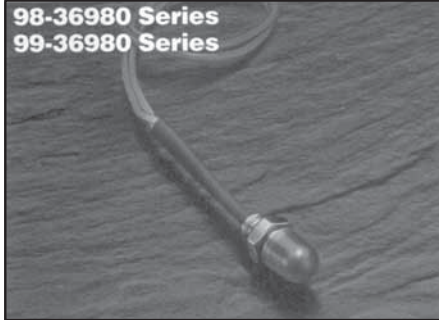
Optolite Indicators

E.M.I. Supressed

INDICATOR LIGHTS



Sub-Miniature, Optional E.M.I. Suppression



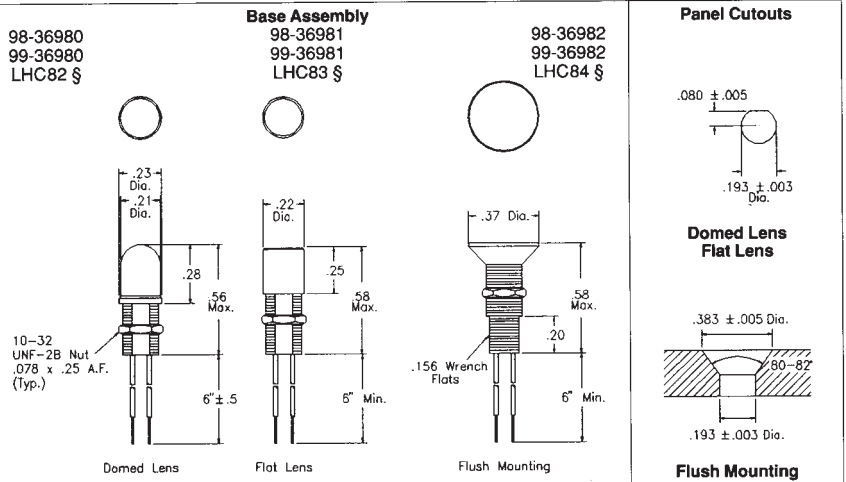
Material and Finishes
Mounting tube and nut, stainless steel, passivated per MIL-S-5002. Wire leads #26 GA silver coated, stranded copper with TFE-fluorocarbon insulation.

Lens Assembly
Lens, high impact-resistant plastic per L-P-393 (polycarbonate).

Lamp
MS24367-683 subminiature T-1 with 5.0V at .060 amp rating (non-replaceable).

Mounting
Assembly mounts from front of panel. All mounting hardware supplied. E.M.I. suppressed assemblies require paint free area on back side of mounting for E.M.I. conductivity.

Weight
Approx. .005 lbs. max.



| Transparent Lens Colors | Complete Assembly Part Numbers (Includes Lamp) | | | | | |
|-------------------------|------------------------------------------------|-------------|----------------|-----------------------|-------------|----------------|
| | E.M.I. Suppressed | | | Not E.M.I. Suppressed | | |
| | Domed Lens | Flat Lens | Flush Mounting | Domed Lens | Flat Lens | Flush Mounting |
| Clear* | 98-36980-5 | 98-36981-5 | 98-36982-5 | 99-36980-5 | 99-36981-5 | 99-36982-5 |
| Red | 98-36980-6 | 98-36981-6 | 98-36982-6 | 99-36980-6 | 99-36981-6 | 99-36982-6 |
| Green | 98-36980-7 | 98-36981-7 | 98-36982-7 | 99-36980-7 | 99-36981-7 | 99-36982-7 |
| Amber | 98-36980-8 | 98-36981-8 | 98-36982-8 | 99-36980-8 | 99-36981-8 | 99-36982-8 |
| Blue | 98-36980-11 | 98-36981-11 | 98-36982-11 | 99-36980-11 | 99-36981-11 | 99-36982-11 |
| Yellow | 98-36980-12 | 98-36981-12 | 98-36982-12 | 99-36980-12 | 99-36981-12 | 99-36982-12 |
| Orange | 98-36980-16 | 98-36981-16 | 98-36982-16 | 99-36980-16 | 99-36981-16 | 99-36982-16 |
| Off-white | 98-36980-17 | 98-36981-17 | 98-36982-17 | 99-36980-17 | 99-36981-17 | 99-36982-17 |

Translucent colors: Add "TL" as suffix to Part Number. § Assembly conforms to requirements of MIL-L-3661. See page 35 for complete listing of MS Part Numbers and Type Designations. *White if translucent color specified.

Miniature, Neon E.M.I. Supressed

38-36180 Type



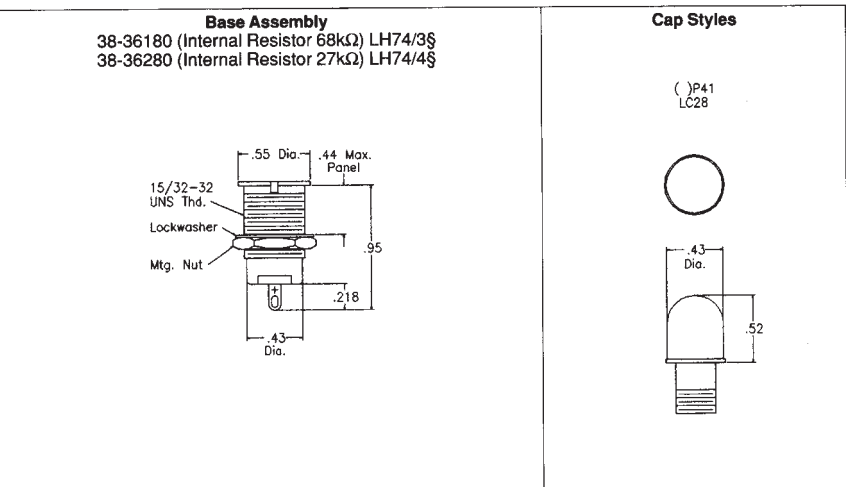
Material and Finishes
Mounting tube and nuts, brass plated, nickel plated per QQ-N-290. Lockwasher, stainless steel or steel, nickel plate. Brass terminals, tin plated per MIL-T-10727A.

Cap Assembly
Lens, high impact-resistant plastic per L-P-349. Standard colors are transparent.

Lamp
C7A (std.) or C9A (high brightness) T2 neon lamp is furnished with each assembly.

Mounting
Assembly mounts from front of panel. All mounting hardware supplied. Recommended mounting hole .500 in. +/- .015 in. dia. Paint free area around backside hole required for E.M.I. conductivity.

Weight
Approx. .3 oz. less lamp.



| Lamp | Complete Assembly Part Numbers (Includes Lamp) | |
|------|------------------------------------------------|--------------------|
| | Transparent Lens Colors | () P41 Cap |
| C7A | Clear | 38-36180-5P41-C7A |
| | Red | 38-36180-6P41-C7A |
| | Amber | 38-36180-8P41-C7A |
| | Off-white | 38-36180-17P41-C7A |
| C9A | Clear | 38-36280-5P41-C9A |
| | Red | 38-36280-6P41-C9A |
| | Amber | 38-36280-8P41-C9A |
| | Off-white | 38-36280-17P41-C9A |

Translucent colors: Not recommended. § Assembly conforms to requirements of MIL-L-3661. See page 35 for complete listing of MS Part Numbers and Type Designations. () Designates color selection.

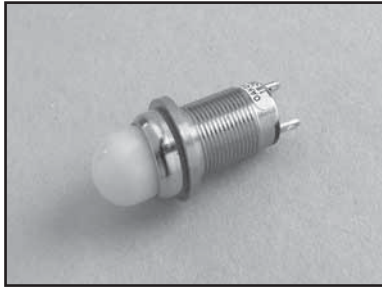
Optolite Indicators E.M.I. Supressed

INDICATOR LIGHTS



Miniature, E.M.I. Supressed

18-36880 Type



Material and Finishes

Mounting tube and nut, brass, bright nickel finish. Lockwasher stainless steel or steel nickel plate. Brass terminals, tin plated per MIL-T-10727A. "O" ring, silicone rubber.

Cap Assembly

Lens, high impact-resistant plastic per L-P-349 Lens holders, brass, bright nickel plated.

Lamp

T-1 3/4 midget flange base.

Mounting

Assembly mounts from front of panel. All mounting hardware supplied. Recommended mounting hole .500 in. ± 015 in. dia. Paint free area around back side of hole required for E.M.I. conductivity.

Weight

Approximately .35 oz. less lamp.

Base Assembly
18-36880 LH73/2 §

Panel Cutout

Schematic

Cap Styles

| Complete Assembly Part Numbers (Less Lamp) | | |
|--------------------------------------------|----------------|----------------|
| Transparent Lens Colors | ()P38 Cap | ()P40 Cap |
| Clear* | 18-36880-5P38 | 18-36880-5P40 |
| Red | 18-36880-6P38 | 18-36880-6P40 |
| Green | 18-36880-7P38 | 18-36880-7P40 |
| Amber | 18-36880-8P38 | 18-36880-8P40 |
| Blue | 18-36880-11P38 | 18-36880-11P40 |
| Yellow | 18-36880-12P38 | 18-36880-12P40 |
| Orange | 18-36880-16P38 | 18-36880-16P40 |
| Off-white | 18-36880-17P38 | 18-36880-17P40 |

Translucent colors: Add "TL" as suffix to Part Number. § Assembly conforms to requirements of MIL-L-3661. See page 35 for complete listing of MS Part Numbers and Type Designations. *White if translucent color specified. () Designates color selection.

Miniature, E.M.I. Supressed, Watertight

18-36680 Type



Material and Finishes

Mounting tube and exposed hardware, brass, bright nickel plate per QQ-N-290. Lockwasher, stainless steel or steel, nickel plate. Terminals, brass, tin plated per MIL-T-10727A.

Cap Assembly

Lens is high impact-resistant plastic per L-P-349.

Lamp

T-1 3/4 midget flange base.

Mounting

Assembly mounts from front of panel. All mounting hardware supplied. E.M.I. suppressed assemblies require paint free area on back side of mounting hole for E.M.I. conductivity.

Weight

Approx. .35 oz less lamp.

Base Assembly
18-36680
38-36680 (Internal Resistor 68kΩ) §
38-36681 (Internal Resistor 27kΩ) §

Schematic

Cap Styles

| Complete Assembly Part Numbers (Less Lamp) | | |
|--------------------------------------------|----------------|----------------|
| Transparent Lens Colors | ()P45 Cap | ()P50 Cap |
| Clear* | 18-36680-5P45 | 18-36680-5P50 |
| Red | 18-36680-6P45 | 18-36680-6P50 |
| Green | 18-36680-7P45 | 18-36680-7P50 |
| Amber | 18-36680-8P45 | 18-36680-8P50 |
| Blue | 18-36680-11P45 | 18-36680-11P50 |
| Yellow | 18-36680-12P45 | 18-36680-12P50 |
| Orange | 18-36680-16P45 | 18-36680-16P50 |
| Off-white | 18-36680-17P45 | 18-36680-17P50 |

§ Specify 38-36681-() for 27kΩ internal resistor (C9A neon lamp) or 38-36680-() for 68kΩ internal resistor (C7A neon lamp). Neon Lamp (C7A or C9A) must be specified when ordering.

Translucent colors: Add "TL" as suffix to Part Number. *White if translucent color specified. () Designates color selection.