



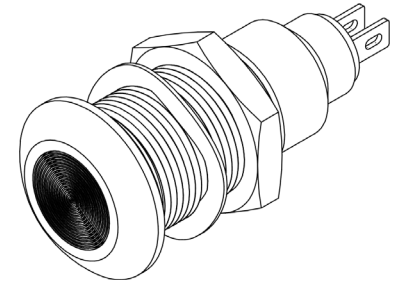
ML 5110 PANEL INDICATORS

FEATURES

- > Wide viewing angles
- > Multiple LED colors available
- > High intensity LED
- > Sealed to IP67 standard
- > Voltage options (*see chart*)
- > Suitable for AC or low voltage DC in any orientation
- > Industrial/external applications
- > Panel-suitable mounting
- > Bi-polar circuitry
- > Internal reverse protection diode fitted in all models
- > Internal resistor
- > Internal potting for protection
- > Viton rubber panel seal
- > Suitable for high vibration applications

Colors	Color Code
Red	R
Yellow	Y
Green	G
Blue	B
Cool White	C

Customized versions available upon request.



The ML 5110 Panel Indicators are rugged durable LED indicators that are suitable for panel mounting. These indicators are IP67 sealed for external functionality and feature internal potting for vibration control and durability to withstand industrial applications. These indicators come in a variety of colors and are suitable for AC or low voltage DC applications, vibration applications. Indicators meet specific military specifications listed in the data sheet. Refer to the product specifications for additional details.

PROPERTIES

Material							
Housing	303 Stainless Steel						
Hex Nut	303 Stainless Steel						
Lock Washer	303 Stainless Steel						
Terminals	Silver Flash Coated Brass						
Mounting Hole							
Min. Panel Thickness	0.08						
Weight	8.6 grams						
Operational Temp.	-40°C to 75°C						
Storage Temp.	-40°C to 100°C						
Colored Diffused Lens							
Optional Connections	Wire Leads						
	<table border="1"> <thead> <tr> <th colspan="2">Wire Length (Inches)</th> </tr> </thead> <tbody> <tr> <td>WL</td> <td>6</td> </tr> <tr> <td>WX</td> <td>39</td> </tr> </tbody> </table>	Wire Length (Inches)		WL	6	WX	39
Wire Length (Inches)							
WL	6						
WX	39						
	Brass - Tin Plated Connector						

ENVIRONMENTAL SPECIFICATIONS

Vibration	.06" D.A. or 20G peak, whichever is less, 10 Hz to 2 kHz, MIL-STD-202, Method 204, Test Condition D
Shock	100G'S MIL-STD-202, Method 213, Test Condition I
Moisture Resistance (Humidity)	MIL-STD-202, Method 106
Barometric Pressure (Reduced)	100,000 FT. MIL-STD-202, Method 105, Test Condition D
Salt Atmosphere	MIL-STD-202, Method 101, Test Condition B

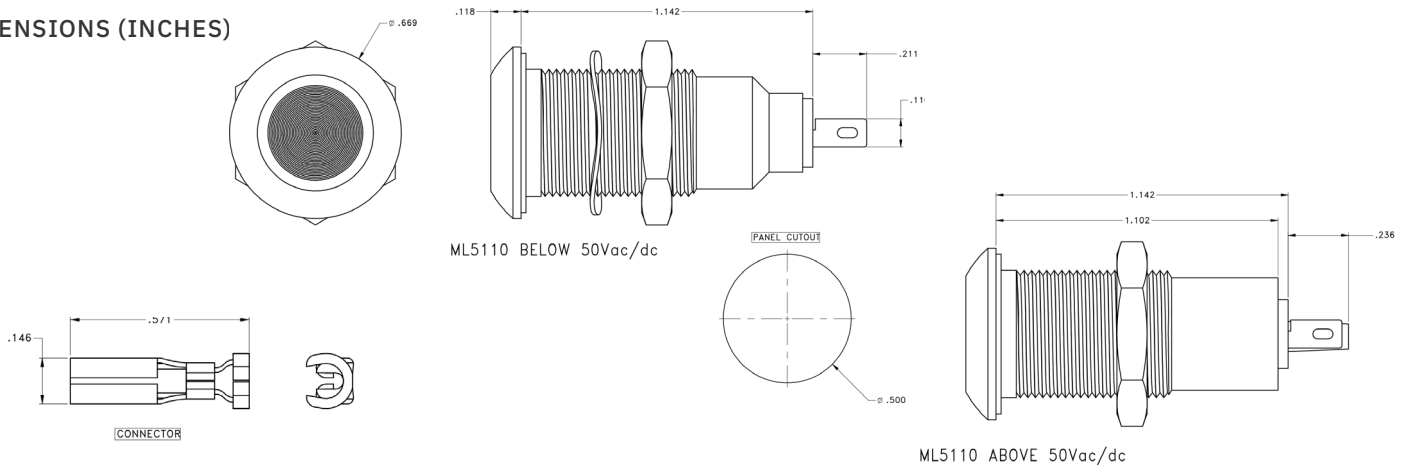
ELECTRO-OPTICAL SPECIFICATIONS

CHARACTERISTICS		ML5110-()-D-()-()					
	(Vac/dc) Typical	Current (mA) Typical	Red	Yellow	Green	Blue	Cool White
Typical Luminous Intensity ^[1] (mcd)	12/28	6 – 16	236	217	1360	270	743
	110	7	112	103	814	154	393
Typical Wavelength (λp)	(12 – 110)	(6 – 16)	625	590	520	470	SEE BELOW
^[1] 12/28 Vdc measured at 10 mA							
TYPICAL EMISSION COOL WHITE							
	X	0.275	0.280	0.290			
	Y	0.270	0.280	0.300			
Max. Power Dissipation	825 mW						

ELECTRICAL SPECIFICATIONS

Voltage (Vac/dc)
12 – 28
110

DIMENSIONS (INCHES)



ML 5110 ORDERING INFORMATION

FAMILY SERIES – COLOR – DIFFUSED – WIRE LENGTH/TERMINAL – VOLTAGE ML5110-()-D-()-()					
Model No.	Color	Voltage	Model No.	Color	Voltage
ML5110-R-D-T-12/28	Red	12/28	ML5110-R-D-T-110	Red	110
ML5110-Y-D-T-12/28	Yellow	12/28	ML5110-Y-D-T-110	Yellow	110
ML5110-G-D-T-12/28	Green	12/28	ML5110-G-D-T-110	Green	110
ML5110-B-D-T-12/28	Blue	12/28	ML5110-B-D-T-110	Blue	110
ML5110-C-D-T-12/28	Cool White	12/28	ML5110-C-D-T-110	Cool White	110
ML5110-R-D-WL-12/28	Red	12/28	ML5110-R-D-WL-110	Red	110
ML5110-Y-D-WL-12/28	Yellow	12/28	ML5110-Y-D-WL-110	Yellow	110
ML5110-G-D-WL-12/28	Green	12/28	ML5110-G-D-WL-110	Green	110
ML5110-B-D-WL-12/28	Blue	12/28	ML5110-B-D-WL-110	Blue	110
ML5110-C-D-WL-12/28	Cool White	12/28	ML5110-C-D-WL-110	Cool White	110
ML5110-R-D-WX-12/28	Red	12/28	ML5110-R-D-WX-110	Red	110
ML5110-Y-D-WX-12/28	Yellow	12/28	ML5110-Y-D-WX-110	Yellow	110
ML5110-G-D-WX-12/28	Green	12/28	ML5110-G-D-WX-110	Green	110
ML5110-B-D-WX-12/28	Blue	12/28	ML5110-B-D-WX-110	Blue	110
ML5110-C-D-WX-12/28	Cool White	12/28	ML5110-C-D-WX-110	Cool White	110

NOTE:

LABELING INFORMATION	
Laser etch case	ML5110
Laser etch date code	YYWW
Label ESD BAG:	Example:
Cage code	10236
Model number	ML5110-R-D-T-12/28
Date code (YYWW)	2032

ML 5110 Panel Indicators

© 2021 L3Harris Technologies, Inc. | 07/2021

Refer to your Trade Compliance Lead or Empowered Official for exact disclaimer language.

L3Harris Technologies is an agile global aerospace and defense technology innovator, delivering end-to-end solutions that meet customers' mission-critical needs. The company provides advanced defense and commercial technologies across air, land, sea, space and cyber domains.



1025 W. NASA Boulevard
Melbourne, FL 32919
t 513 943 2000 | f 513 943 2050
info@L3Harris.com