

602 SERIES LIGHT PIPE PANEL INDICATOR



FEATURES

- Ø5.0mm mounting
- Nickel plated brass housing
- Sealed to IP67 - weatherproof
- Wide viewing angle - water clear lens
- Sleeve included on longer lengths

BENEFITS

- Our smallest mounting size in a metallic housing
- Suitable for industrial applications
- Suitable for external applications
- Water clear lens gives clear 'off' state
- Sleeve prevents light bleeding to adjacent indicators
- Suitable for status panel indication
- Outstanding reliability
- Vandal resistant

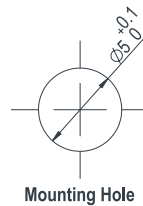
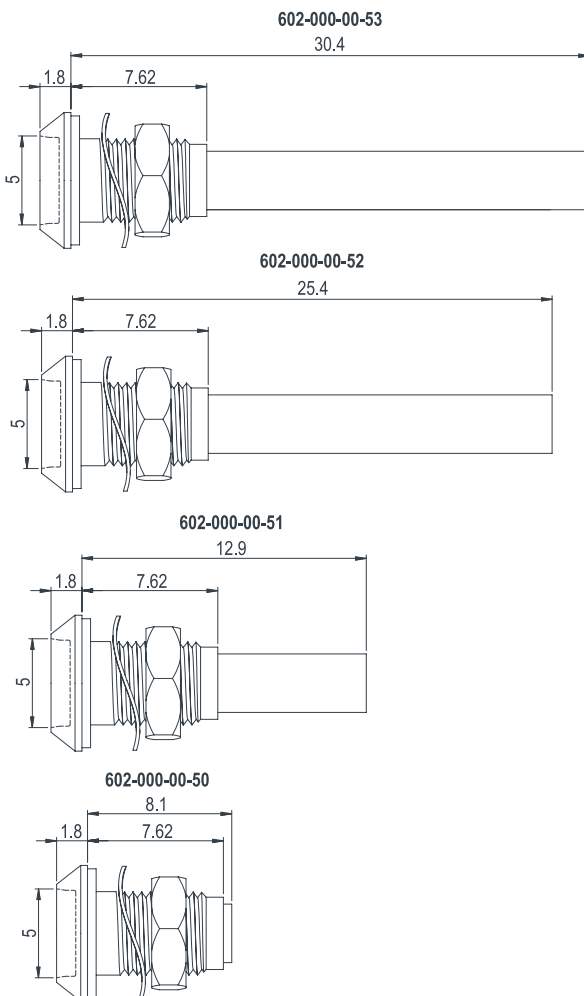
MARL Part Number	Length (typical)	Sleeve included
602-000-00-50	8.1mm	No
602-000-00-51	12.9mm	Yes
602-000-00-52	25.4mm	Yes
602-000-00-53	30.4mm	Yes

This is a light pipe and housing only - LED not included

TECHNICAL DRAWING

Weight: 0.75g (Typical)

Dimensions in mm (typical). Not to scale. Mounting hole to be clean and burr free.



MATERIALS

Body	Bright Nickel Plated Brass
Nut	Bright Nickel Plated Brass
Panel Seal	Viton™
Fresnel Lens	Polycarbonate UL94 HB
Lock Washer	Beryllium Copper
Light Pipe	Polycarbonate UL94 V-0

MOUNTING SPECIFICATION

Series	Panel Cutout	Nut Mounting Torque	Min. Mounting Centres	Min - Max. Panel Thickness
602	5.0	0.35	10.0	1.5 - 5.0
	mm	Nm	mm	mm

To order please contact us on +44 (0) 1229 582 430
 F +44 (0) 1229 585 155 | E sales@marl.co.uk | www.leds.co.uk
 in company/marl-international-limited

