

# AVIONICS/MIL CABLE MOUNTED PLUG 7016 SERIES HIGH CURRENT CONNECTOR

All of our two pole, avionics-grade, quick disconnect, cable-mounted plugs are designed to mate with our avionics-grade, bulkhead-mounted receptacles. The quick disconnect feature enables an operator, even with double-gloved hands, to rotate the handle clockwise to engage the connector and lock it in place then to rotate the handle counter-clockwise to disengage the electrical contacts and unlock the connector. Polarity markings on the outside and inside of the connector are clearly visible and the mechanical polarizing design prevents it from being mis-mated. All fastening and mechanical hardware components are made from stainless steel.

**7016 SERIES**  
AVIONICS/MIL PLUG  
CAN BE FOUND IN THE  
FOLLOWING INDUSTRY.....

AGRICULTURAL VEHICLES

AVIATION

BOAT & PORT OPERATIONS

CONSTRUCTION VEHICLES

ELECTRIC & HYBRID VEHICLES

EMERGENCY VEHICLES

ENERGY STORAGE

MARINE

MILITARY VEHICLES & EQUIPMENT

MINING/DRILLING/OIL

POWER GENERATION

RAIL

TRUCKS & UTILITY VEHICLES

## ELECTRICAL

### Current

▶ Rated Current (per MIL PRF 18148D) 750 amp

### Voltage

▶ Rated Voltage (volts, continuous) 750  
▶ Dielectric Withstanding Voltage 2,500

### Contact Resistance (Micro Ohms)

60

### HVIL Circuit

NO

### EMI Shielded

NO

## MECHANICAL

### Wire Size Range

▶ Minimum Wire Size 8 AWG  
▶ Maximum Wire Size 4/0  
▶ Maximum Cable OD (inches) 0.76"  
▶ Maximum Terminal Lug Tongue Width (inches) 1.06"  
▶ Maximum Terminal Lug Web Width (inches) 0.35"

### Environmental Sealing when mated

▶ With standard kit components IP13  
▶ With optional gasket, shrink tubing or boot accessories IP13

### Operating Temperature

▶ Minimum (°C) -85°  
▶ Maximum (°C) 71°

### Flammability Rating (per UL Standard #94)

V-0

### Mechanical Shock

20gs - 3 axes

### Vibration

10gs - 3 axes

### Mating Cycles

▶ No Electrical Load (# mating cycles) 5,000  
▶ Live Electrical Load 0

### Mating Force

▶ Maximum Mating or Unmating force after 10 matings (inch-pounds) 12  
▶ Maximum Mating or Unmating force after 5,000 matings (inch-pounds) 12

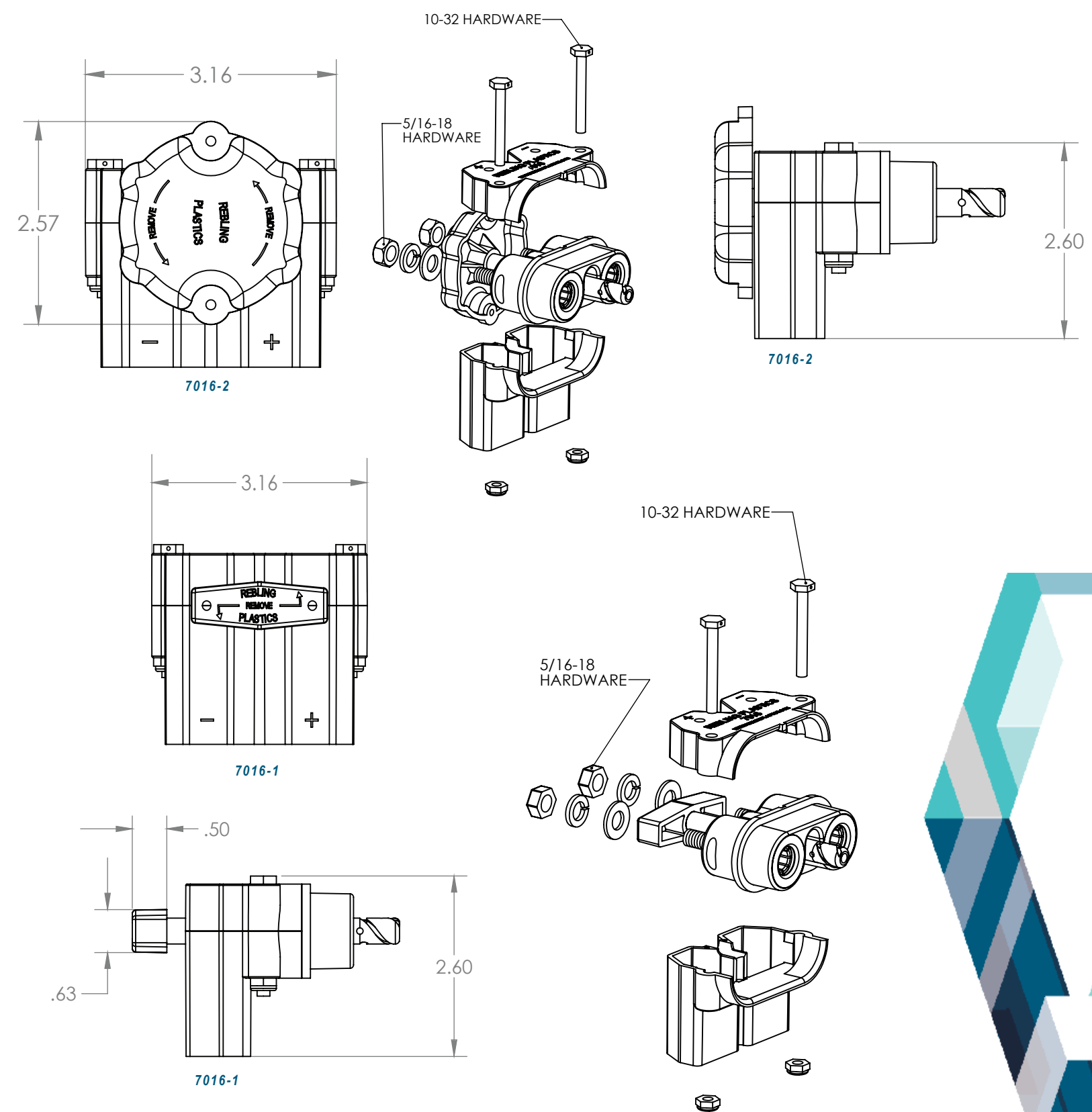
### Keying

NO

## CERTIFICATIONS:

CERTIFIED FOR AVIONICS APPLICATIONS  
PER MILITARY STANDARDS #

- ▶ MIL PRF 18148-1
- ▶ MS 3349-2
- ▶ MIL E 81099



## COMMERICAL ORDERING INFORMATION

### KEY COMPONENTS

- ▶ 7016-1 (MS3349-2) Plug, 2 Wire, Tee Handle, Short Backshell, Black
- ▶ 7016-2 (MS3349-2) Plug, 2 Wire, Round Handle, Short Backshell, Black