

## Series - 8895-8897, 8899

# PUSHBUTTON SWITCHES

## Hand Controls with Pushbutton Switches

FEATURES	SPECIFICATIONS	CURRENT RATINGS							
<ul style="list-style-type: none"> <li>High strength handles and caps</li> <li>Control stick mounted on hand-held grips</li> <li>Trigger-operated pushbutton switches in handle</li> <li>Positive action, double break trigger switch</li> <li>Auxiliary switch in cap on 8895K1</li> <li>Catalog part numbers 8895 and 8896 mount to control stick</li> <li>Catalog part number 8897 features a hand strap for multi-task capability</li> </ul>	<ul style="list-style-type: none"> <li>High impact Thermoset molding materials used in handles and caps</li> <li>Temperature Range: -67°F to +150°F (-55°C to +65°C)</li> <li>Life: 10,000 operations at rated load 10,000 operations mechanical life</li> </ul>	28VDC			115VAC 60 or 400Hz				
		Catalog Number	Type of Operation	Resistive Load	Inductive Load	Lamp Load	Resistive Load	Inductive Load	Lamp Load
		8895K1	Trigger PB sw	40	35	5	30	20	3
			Auxiliary PB sw	20	15	1.5	11	11	1
		8896K1	Trigger PB sw	40	35	5	30	20	3
8897K1	Trigger PB sw	40	35	5	30	20	3		
8899K <sup>①</sup>	Pushbutton sw	10	5	3	—	—	—		

① Contact Customer Service for product information

### SELECTION TABLE



8896K1



8895K1



8897K1



8899

Type	Poles and Throw	Circuit Arrangement		Features	Government Drawing Number	Catalog Number
		Normal	Depressed			
Pistol Grip	1 P.T.	OFF	ON*	- With Auxiliary Switch With Hand Strap	NAF1173-1 NAF1173-2 NAF1174-1	8896K1 8895K1 8897K1

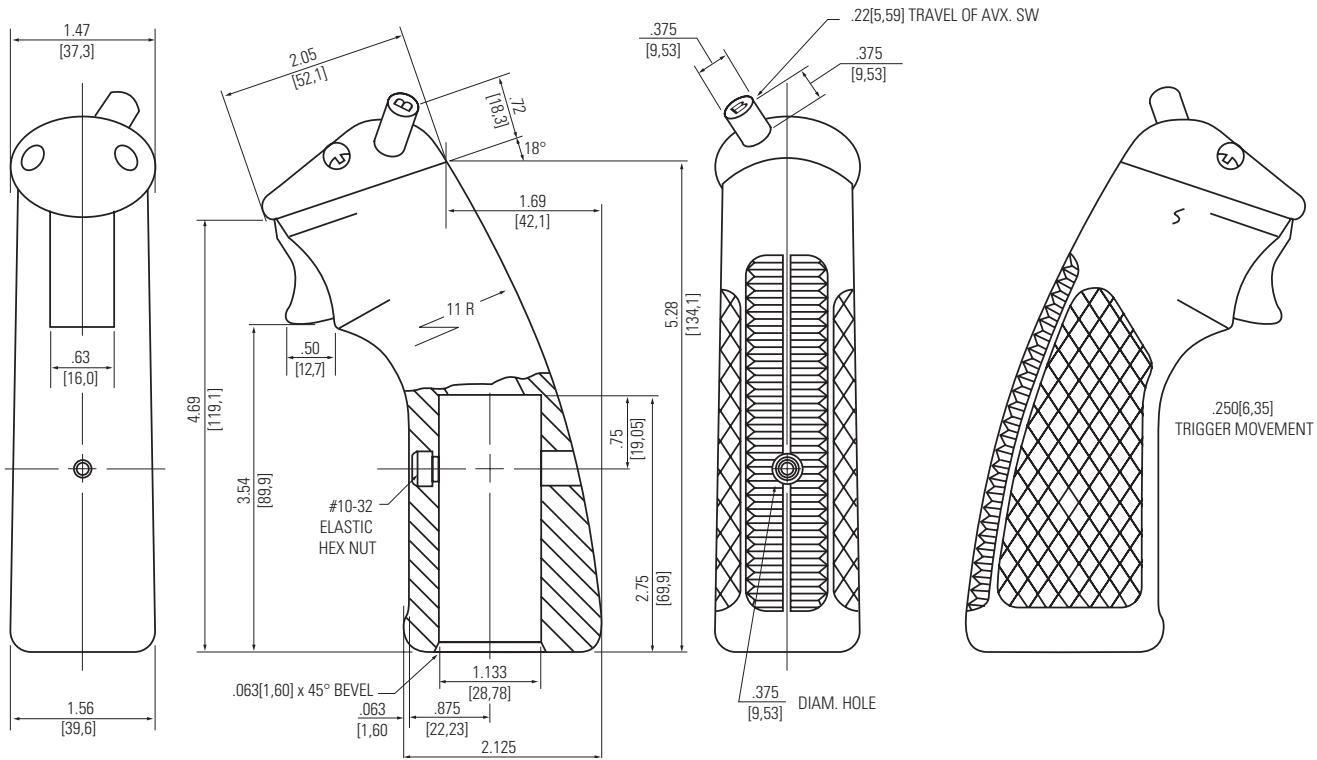
\*Momentary Contact

# PUSHBUTTON SWITCHES

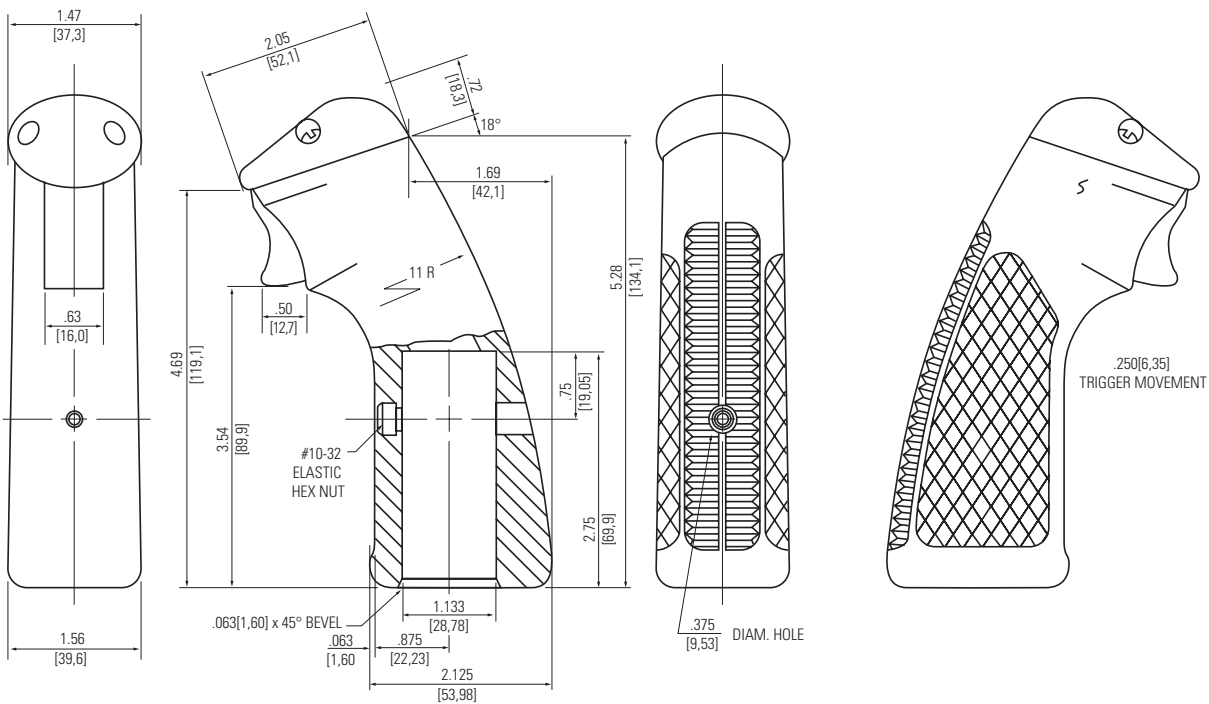
## Series - 8895-8897, 8899

# Hand Controls with Pushbutton Switches

### APPROXIMATE DIMENSIONS - 8895K1



### APPROXIMATE DIMENSIONS - 8896K1



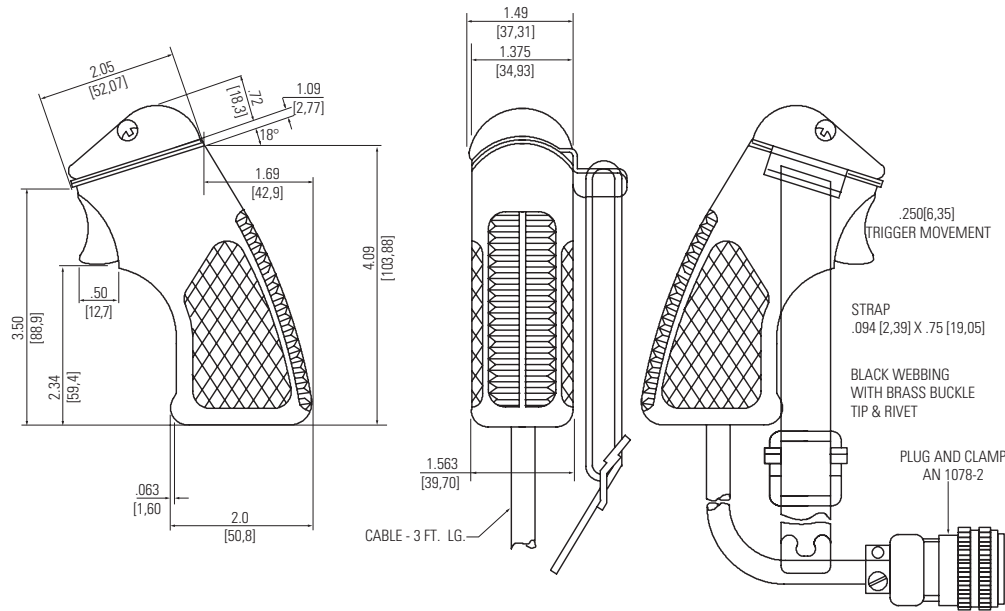
**STANDARD**  
0.00 = inches  
[0,0] = mm

Dimensions for reference only.

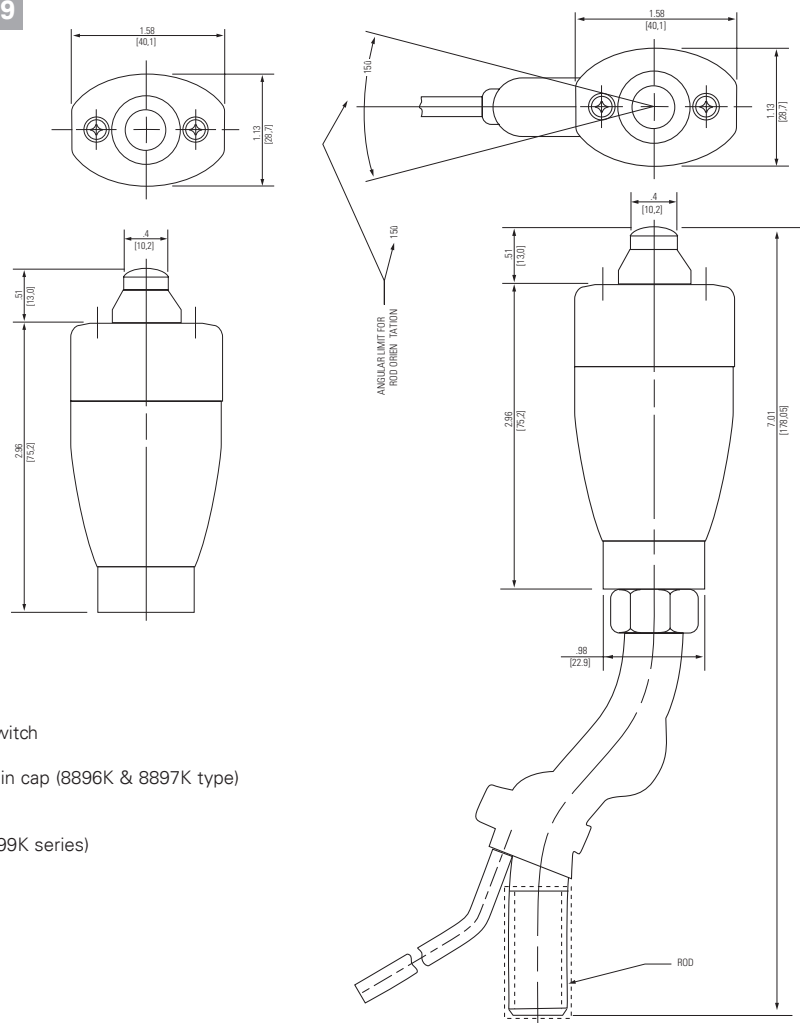
# Series - 8895-8897, 8899

# PUSHBUTTON SWITCHES Hand Controls with Pushbutton Switches

## APPROXIMATE DIMENSIONS - 8897



## APPROXIMATE DIMENSIONS - 8899



## OPTIONS/ACCESSORIES

- Replace trigger switch with sealed pushbutton switch
- Harness assemblies available
- Auxiliary toggle or pushbutton switches installed in cap (8896K & 8897K type)
- Multi-function switch variations
- Replacement components
- Joystick or hand-held configurations available (8899K series)

### STANDARD

0.00 = inches

[0,0] = mm

Dimensions for reference only.