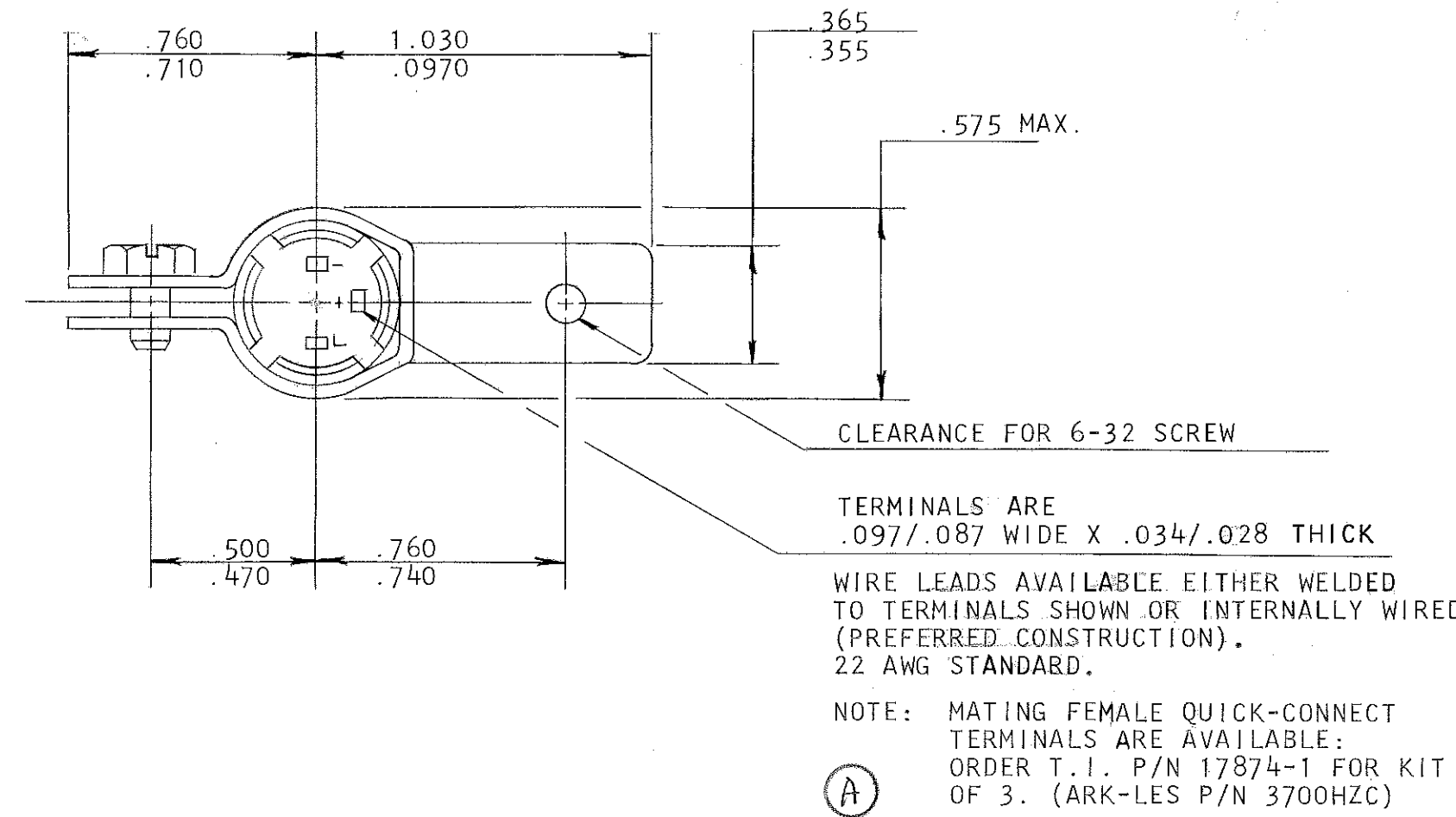


Property of:  
Sensata Technologies

REVISIONS				
ZONE	LTR	DESCRIPTION	DATE	APPROVED
-	-	1ST ISSUE CR7526A	2-28-78	Will.
-	A	ADDED Q.C. TERMINAL NOTE CR76103 #	7-12-78	Will.
-	B	DIELECTRIC STRENGTH 1100 VAC WAS 1500VAC CR 80400 #	11-8-80	Holt



ELECTRICAL CHARACTERISTICS:

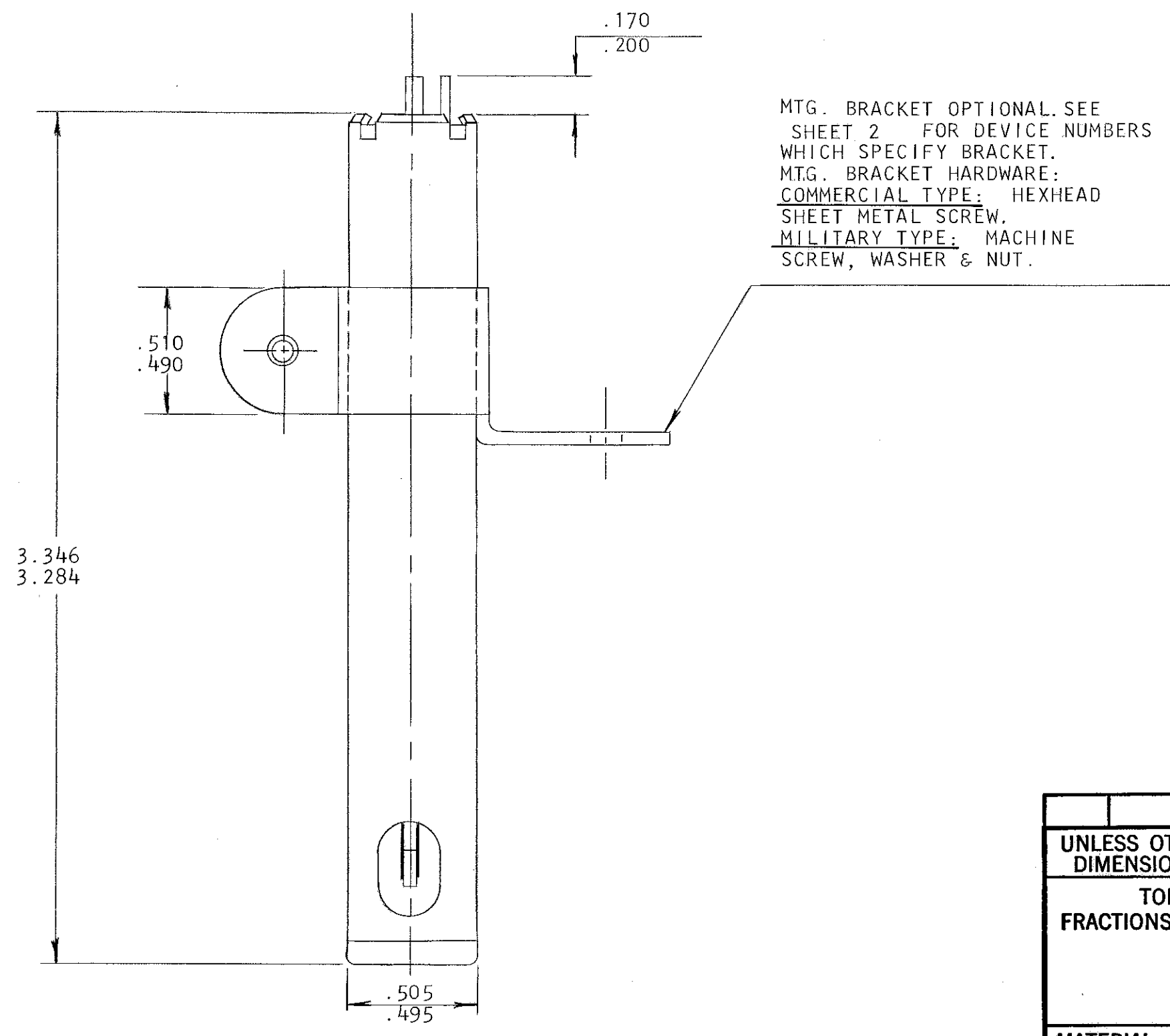
VOLTAGE RATING:  
STANDARDS ARE 12V, 15V, 18V, 20V, 24V, AND 28 V, DC. OTHER RATINGS AVAILABLE.

POWER DISSIPATION:  
3.0 WATTS APPROX.

DIELECTRIC STRENGTH:  
TERMINAL TO MOUNTING SURFACES 1100VAC. (B)

OUTPUT MODES: NORMALLY OPEN, AUTO RESET  
NORMALLY CLOSED, AUTO RESET  
NORMALLY OPEN, MANUAL RESET

SWITCHING CAPACITY: 400MA MAX, 30V DC.



UNLESS OTHERWISE SPECIFIED DIMENSIONS ARE IN INCHES		BY D. STAPLES	DATE 2-28-78	<b>TEXAS INSTRUMENTS</b> INCORPORATED ATTLEBORO, MASSACHUSETTS, U.S.A.		<b>KLIXON</b> CONTROL PRODUCTS DIVISION	
TOLERANCE ON FRACTIONS DECIMALS ANGLES	CH.			TITLE 2SEA SOLID STATE AIRFLOW SENSOR ENVELOPE DRAWING			
	ENG. Willawson		3-1-78				
MATERIAL	APPROVED Willawson		3-1-78	SIZE C	CODE IDENT NO. 82647	2SEA SH1	
				SCALE 2/1	SHEET 1 OF 2		