

Property of
Sensata Technologies

ZONE	REV.	REVISION DESCRIPTION	ECN NO.	DATE
B1	F	ADDED DASH BETWEEN 7 AND 1/2 FOR CUSTOMER P/N MS25244-71/2; PAF	ECN0042068	04-JUN-2008

DETAIL PERFORMANCE PER MIC-C-5809 + MS25244

OVERLOAD CYCLING	-----	100 CYCLES AT 200% RATED CURRENT
VIBRATION	-----	10 G'S
MECHANICAL SHOCK	-----	30 G'S PEAK
ACCELERATION	-----	10 G'S
SAND & DUST	-----	12 HOURS
CORROSION	-----	SALT SPRAY 96 HOURS
MOISTURE RESISTANCE	-----	10 DAYS
EXPLOSION PROOF	-----	WHILE INTERRUPTING RUPTURE CURRENTS

ENDURANCE:	120 VAC	400 HZ INDUCTIVE	2,500 CYCLES
	30 VDC	400 HZ RESISTIVE	5,000 CYCLES
		INDUCTIVE	2,500 CYCLES
		RESISTIVE	5,000 CYCLES
	MECHANICAL	NO LOAD	5,000 CYCLES

CALIBRATION:

	5-7 1/2 AMP MIN. ULT. TRIP	10-35 AMP MIN. ULT. TRIP	5-7 1/2 AMP MAX. ULT. TRIP	10-35 AMP MAX. ULT. TRIP	5-35 AMP 200%	5-35 AMP 400%	5-35 AMP 600%
+25°C. (+77°F.)	115%	115%	138%	138%	15 - 55 SEC.	2 - 7 SEC.	1.0 - 3.5 SEC.
-40°C. (-40°F.)	156%	148%	178%	178%	-	-	-
+71°C. (+160°F.)	60%	70%	108%	114%	-	-	-

RUPTURE:

5 AMP THRU 35 AMP	120 VAC 400 HZ	3500 AMPERES
5 AMP THRU 35 AMP	30 VDC	6000 AMPERES

MAXIMUM OPERATING FORCES:

PULL OUT	-----	1.2-8 LBS.
RESET	-----	1.8-12 LBS.

OPERATING ALTITUDE:

65,000 FT. (<20,000m)

WEIGHT/MASS:

.1 LBS. MAX. (45 GRAMS)

VOLTAGE DROP:

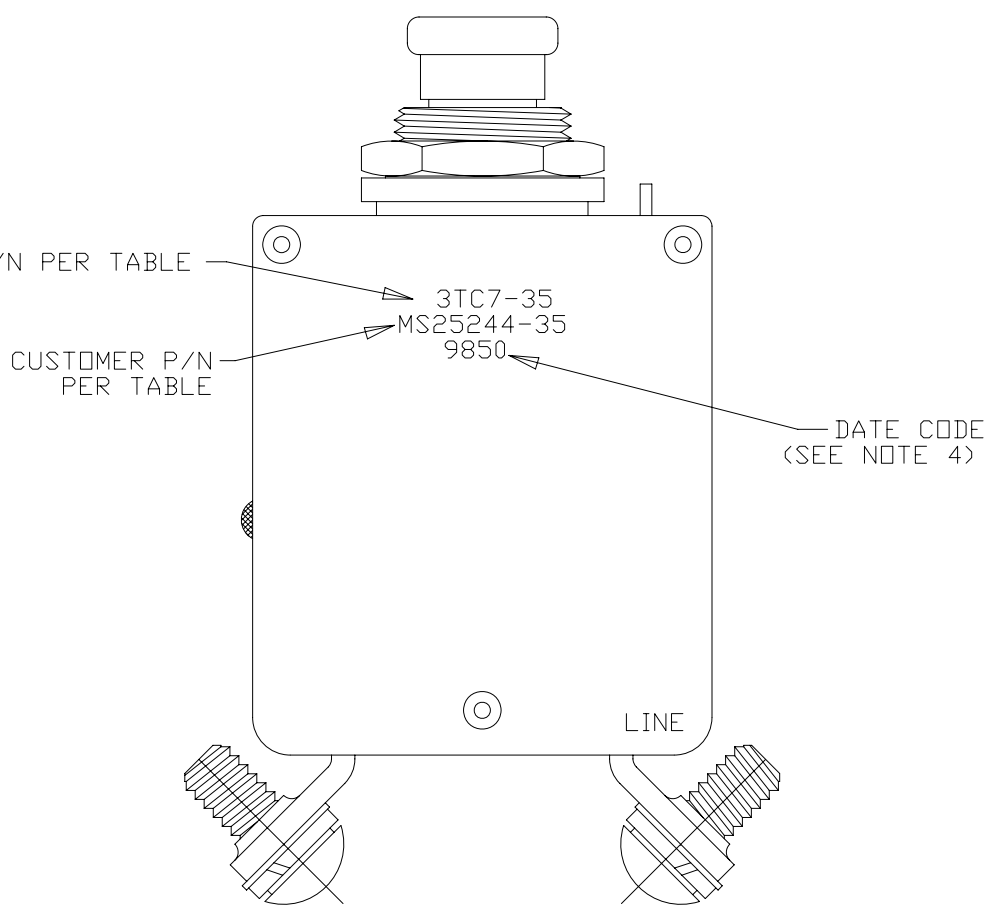
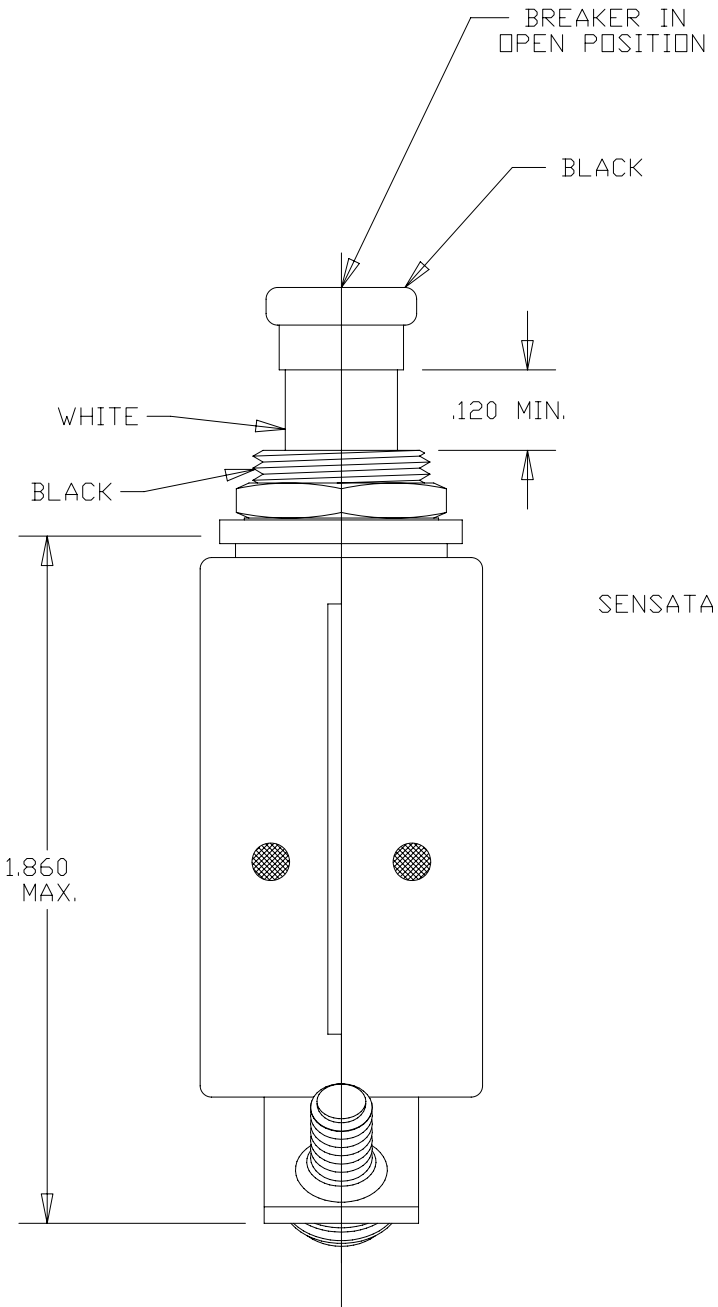
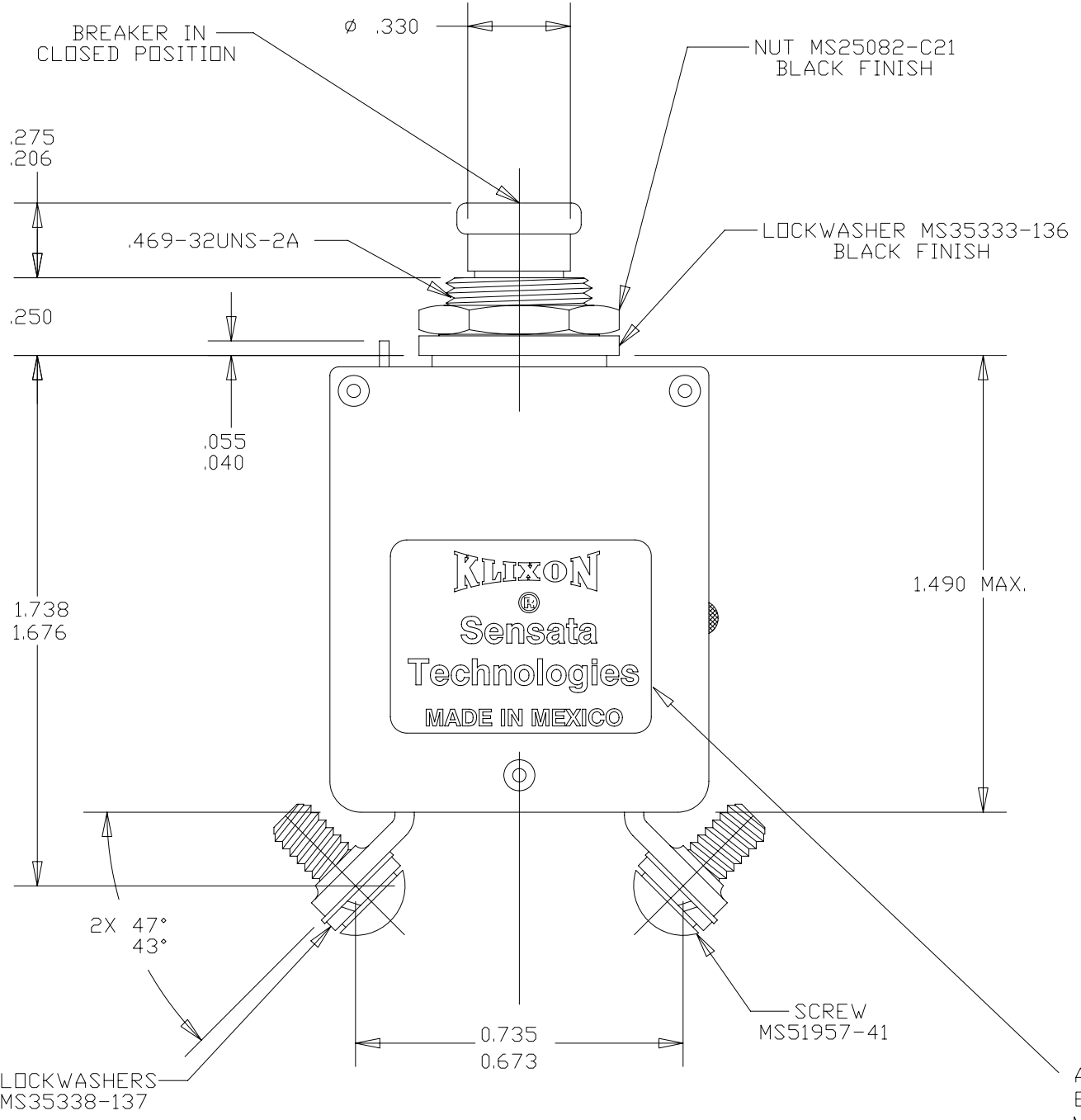
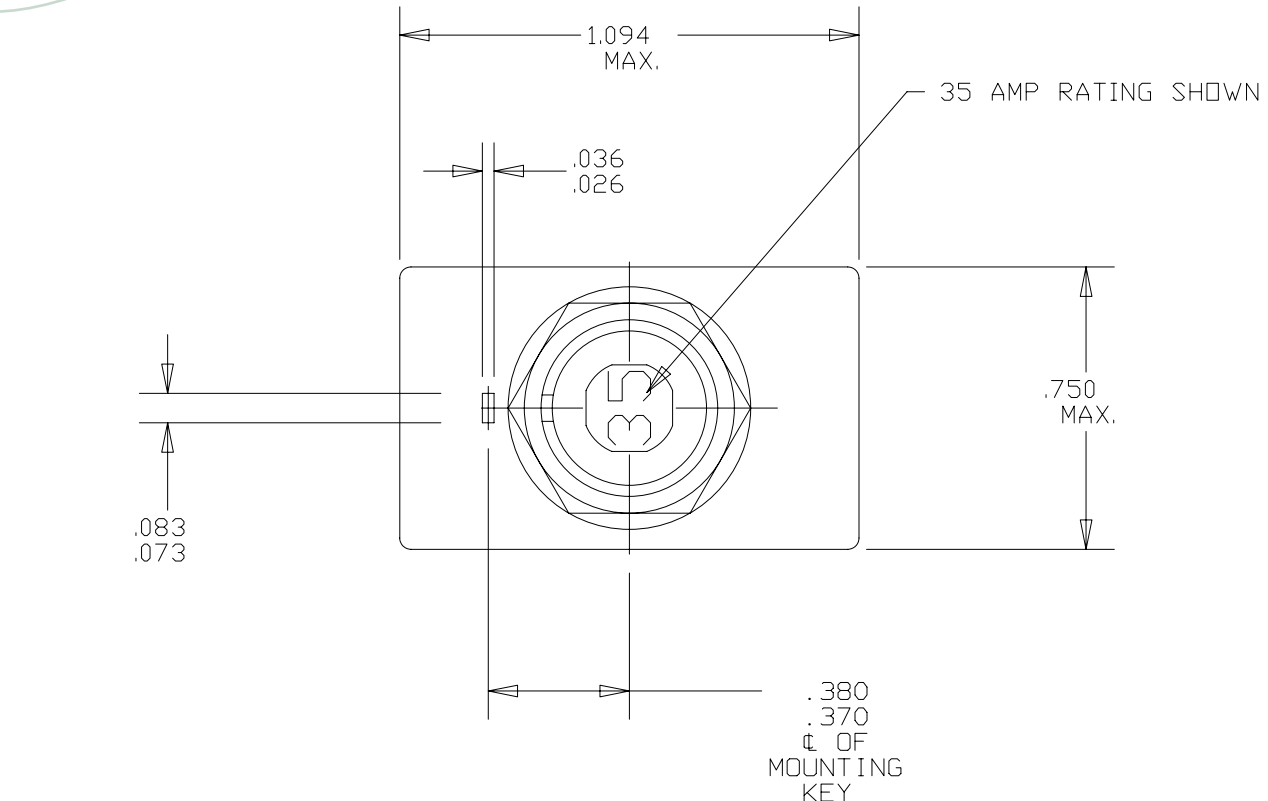
5 THRU 35 AMP ----- 0.25 VOLTS MAX.

D

C

B

A



SENSATA P/N	CUSTOMER P/N	AMP RATING
3TC7-5	MS25244-5	5
3TC7-7 1/2	MS25244-7-1/2	7 1/2
3TC7-10	MS25244-10	10
3TC7-15	MS25244-15	15
3TC7-20	MS25244-20	20
3TC7-25	MS25244-25	25
3TC7-30	MS25244-30	30
3TC7-35	MS25244-35	35

ALL LETTERING AND SYMBOLS, EXCEPT KLIXON, MUST BE ENGRAVED IN SWISS 721 BT FONT. ALL LETTERING AND SYMBOLS MUST BE RAISED IN THE PART ON A RECESSED AREA .003-.010 DEEP. RAISED LETTERING MUST NOT EXTEND BEYOND THE SURFACE OF THE CASE AND MUST BE LEGIBLE.

- NOTES:
- EPOXY SURFACES ARE NON-DIMENSIONED. ENVELOPE DRAWING DIMENSIONS DO NOT APPLY TO THESE PROJECTED EPOXY SURFACES.
 - TERMINAL AND MOUNTING HARDWARE MAY BE PACKAGED RATHER THAN INSTALLED.
 - COUNTRY OF ORIGIN IS SHOWN FOR ILLUSTRATION PURPOSES ONLY. COUNTRY OF ORIGIN TO BE IDENTIFIED AS REQUIRED.
 - DATE CODE PER 10588-285.
 - ALL MARKINGS TO BE MADE IN APPROXIMATE POSITIONS SHOWN, WITH BLACK INK PER 12506-70; 3/32 INCH HIGH CHARACTERS.

FOR REFERENCE ONLY, CHECK LATEST REVISION BEFORE USE. PARTS MADE TO THIS PRINT MUST CONFORM TO E9898 REV. E

DRAWN
JOSE GONZALEZ
DATE 21-DEC-1998

ENGINEER
M. LAVADO
DATE 21-DEC-1998

APPROVED
B. CAREY
DATE 21-DEC-1998

APPROVED
C. PELLON
DATE 21-DEC-1998

SENSATA TECHNOLOGIES PROPRIETARY AND CONFIDENTIAL. NEITHER THIS PRINT NOR THE INFORMATION CONTAINED HEREON IS TO BE USED AGAINST THE INTERESTS OF SENSATA TECHNOLOGIES OR AGAINST THE INTERESTS OF ANY OF ITS AFFILIATED COMPANIES OR WHOLLY OWNED SUBSIDIARIES.

UNLESS OTHERWISE SPECIFIED DIMENSIONS ARE IN INCHES
TOLERANCES
DECIMALS ANGLES

UNLESS OTHERWISE NOTED ALL DECIMALS +/- .015

DO NOT SCALE DRAWING

THIRD ANGLE PROJECTION

529 PLEASANT STREET
P.O. BOX 2964
ATTLEBORO, MA 02703

Sensata Technologies

TITLE
3TC7
PUSH-PULL TRIP-FREE CIRCUIT BREAKER ENVELOPE DRAWING

SIZE C	DWG NO. 3TC7	REV. F
-----------	-----------------	-----------

SCALE 1:1 AUTOCAD SHEET 1 OF 1

DEVICE: PROJECT: 1

4

3

2

1