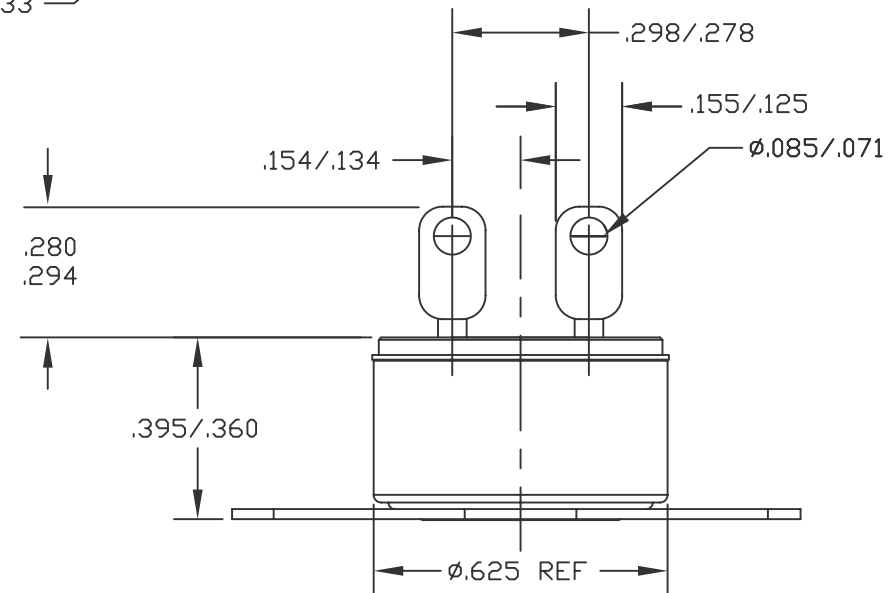
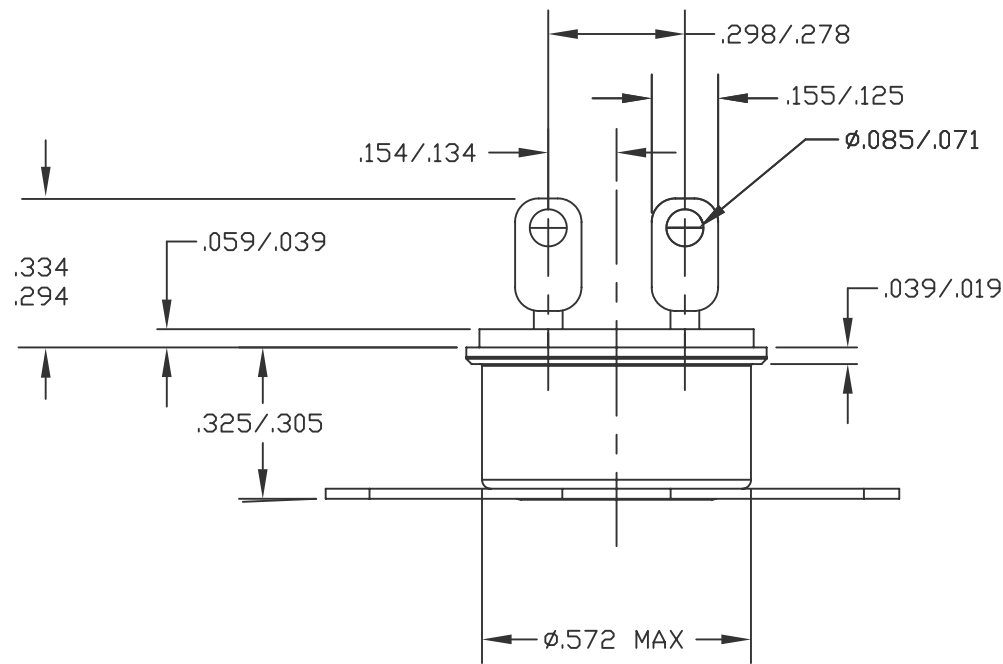
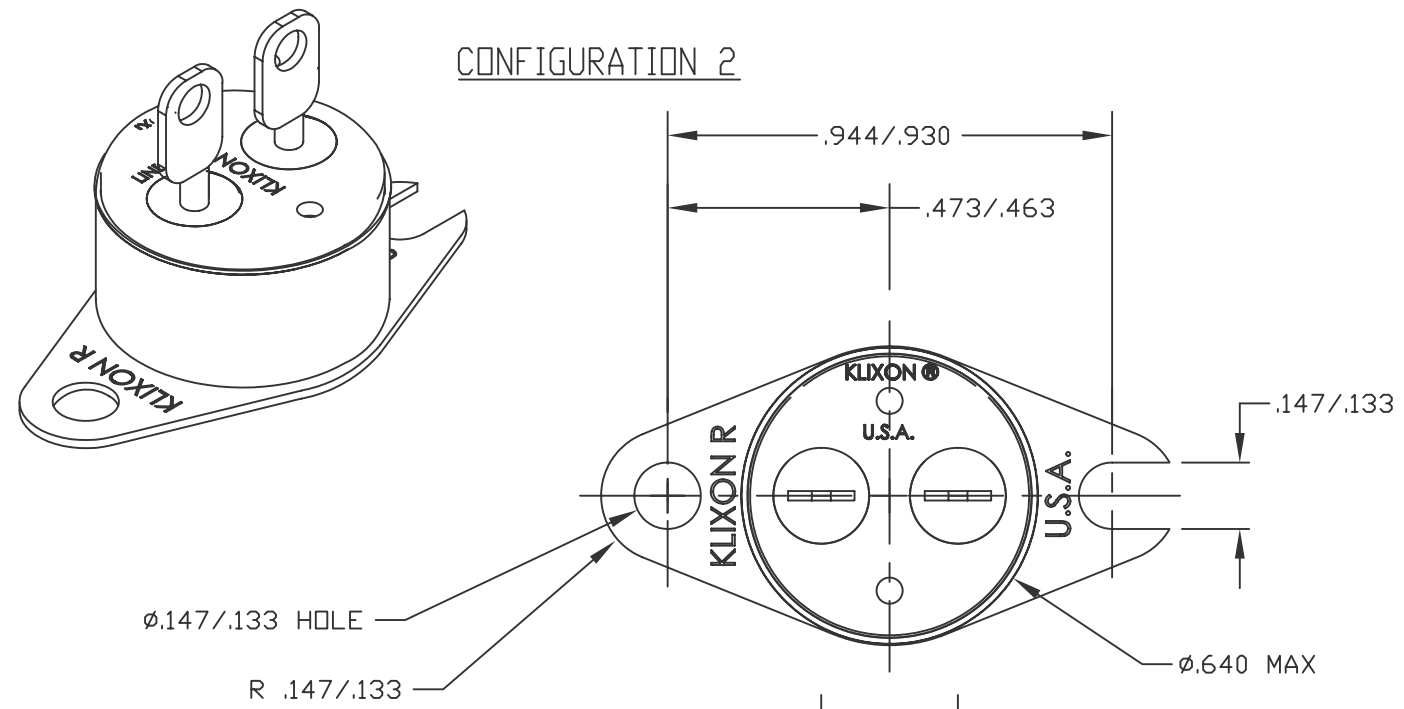
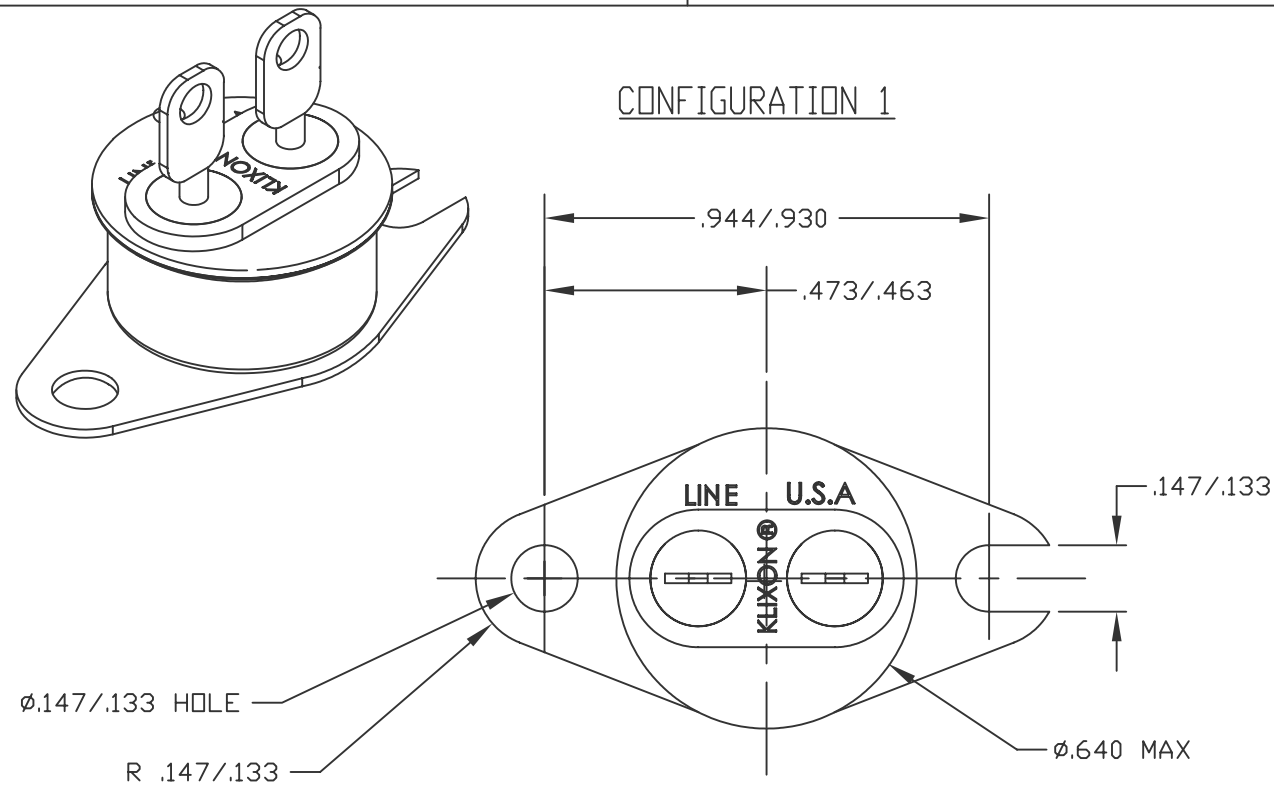

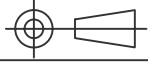


ZONE	REV.	REVISION DESCRIPTION	ECN NO.	DATE
	C	ADD CONFIG 2; PD	ECN0031500	04-OCT-2006



**MATERIAL:**  
 CONFIGURATION 1: COPPER-NICKEL PLATED CARBON STEEL  
 CONFIGURATION 2: UNPLATED 304L STAINLESS STEEL

**DIELECTRIC STRENGTH:**  
 TERMINAL TO CASE, 1250VAC, FOR 1 MINUTE

FOR REFERENCE ONLY, CHECK LATEST REVISION BEFORE USE. PARTS MADE TO THIS PRINT MUST CONFORM TO E9898 REV. E		 <b>Sensata</b> Technologies 529 PLEASANT STREET P.O. BOX 2964 ATTLEBORO, MA 02703
DRAWN PD DATE 04-OCT-2006	NEITHER THIS PRINT NOR THE INFORMATION CONTAINED HEREON IS TO BE USED AGAINST THE INTERESTS OF SENSATA TECHNOLOGIES, INC. OR AGAINST THE INTERESTS OF ANY OF ITS AFFILIATED COMPANIES OR WHOLLY OWNED SUBSIDIARIES	
ENGINEER S. MARQUIS DATE 04-OCT-2006	UNLESS OTHERWISE SPECIFIED DIMENSIONS ARE IN INCHES TOLERANCES DECIMALS      ANGLES	TITLE THERMOSTAT SPST AUTO RESET SEALED ENVELOPE DRAWING
APPROVED D. PETRIE DATE 04-OCT-2006	APPROVED P. BERG DATE 04-OCT-2006	DWG NO. <b>4344-184</b> SCALE 2:1   AUTOCAD   SHEET 1 OF 1
THIRD ANGLE PROJECTION 	DO NOT SCALE DRAWING	REV. <b>C</b>

4

3

2

1

DEVICE: 4344 PROJECT: 256A