

5

4

3

2

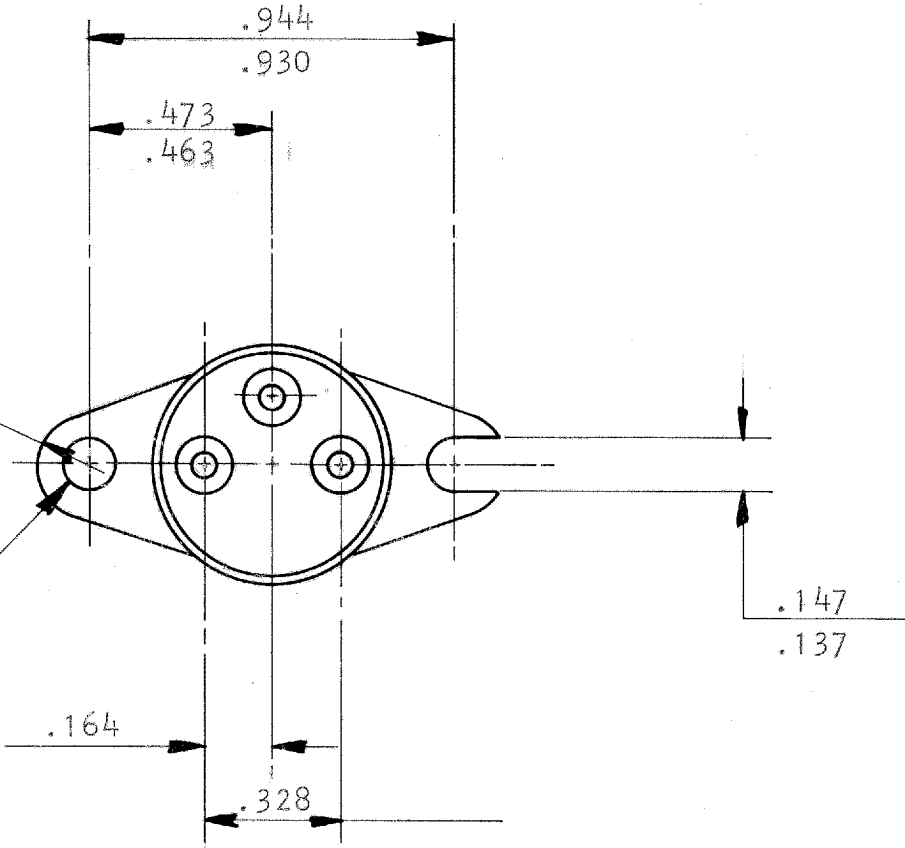
1

Property of
Sensata Technologies

REVISIONS				
ZONE	LTR	DESCRIPTION	DATE	APPROVED
-	-	1ST ISSUE FOR SBT-7 CR. 40635 RC	4-8-70	<i>[Signature]</i>
-	A	ADDED OR 1500 VRMS, 60 CPS FOR 5 SEC. TO DIELECTRIC CRM35504 RJM	9-9-97	<i>[Signature]</i>

.147 R.
.137 (2 PLACES)

.147 DIA. HOLE
.137



PART NO. 5BT-7*

SWITCH ACTION

SPDT
 TERMINALS 1 & 2 OPEN AT °F
 TERMINALS 2 & 3 CLOSE AT °F
 TERMINALS 1 & 2 CLOSE AT °F
 TERMINALS 2 & 3 OPEN AT °F

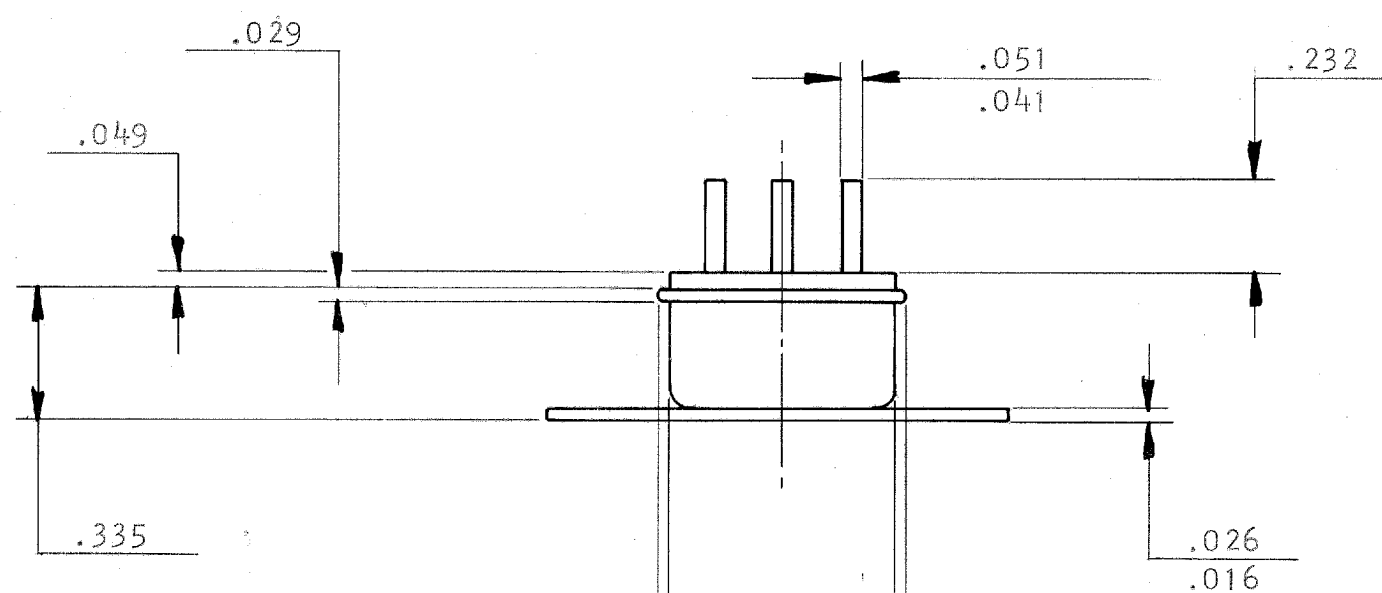
FINISH
AMBIENT EXPOSURE RANGE: -65°F TO +450°F

DIELECTRIC STRENGTH: 1250 VRMS, 60 CPS FOR 1 MINUTE OR 1500 VRMS, 60 CPS FOR 5 SECONDS TERMINAL TO CASE.

WEIGHT: 7 GRAMS

CONTACT RATING: 28 VDC/115 VAC, 3 AMP

*WHEN CUSTOMERS TEMPERATURE CHARACTERISTICS ARE ESTABLISHED A DASH NO. WILL BE ASSIGNED, THEREBY COMPLETING THE PART NO.



.572 MAX.
.640 MAX.

UNLESS OTHERWISE SPECIFIED DIMENSIONS ARE IN INCHES		BY <i>R. CHAMPAGNE</i>	DATE 4-8-70	TEXAS INSTRUMENTS INCORPORATED ATTLEBORO, MASSACHUSETTS, U.S.A.	Klixon CONTROL PRODUCTS DIVISION
TOLERANCE ON FRACTIONS. DECIMALS ANGLES		CH.			
MATERIAL		ENG <i>Roberty</i>	DATE 4-16-70	TITLE 5BT-7 THERMOSTAT SPDT AUTO. RESET 1/2" ENVELOPE DRAWING	
APPROVED				SIZE B	CODE IDENT NO. 82647
				SCALE 2:1	SHEET 1 OF 1