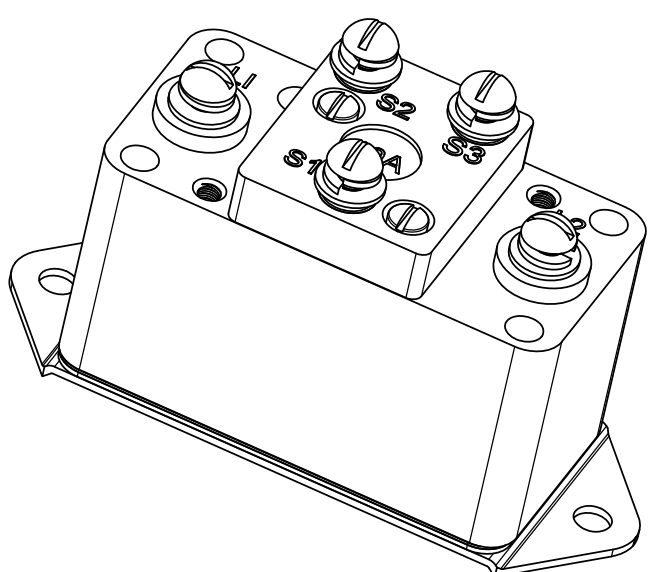
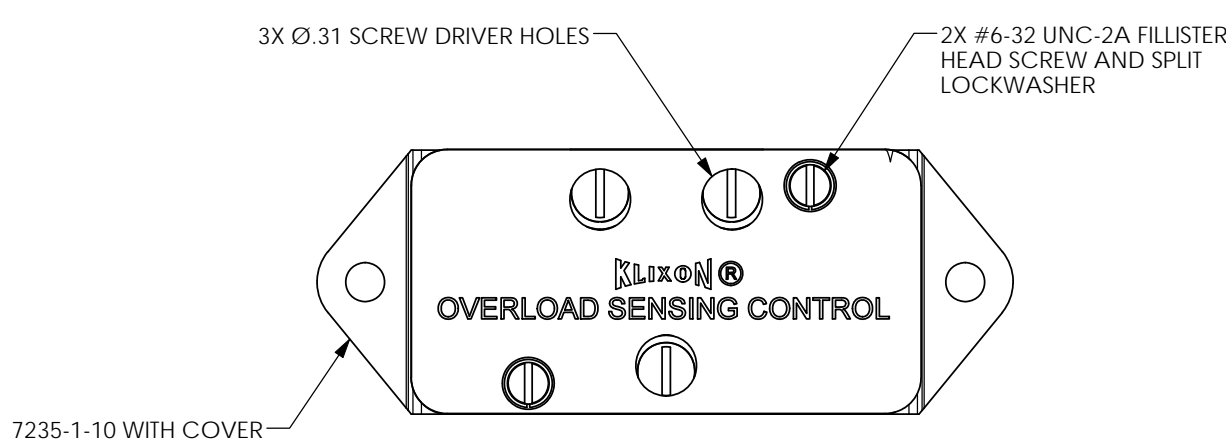


Property of Sensata Technologies

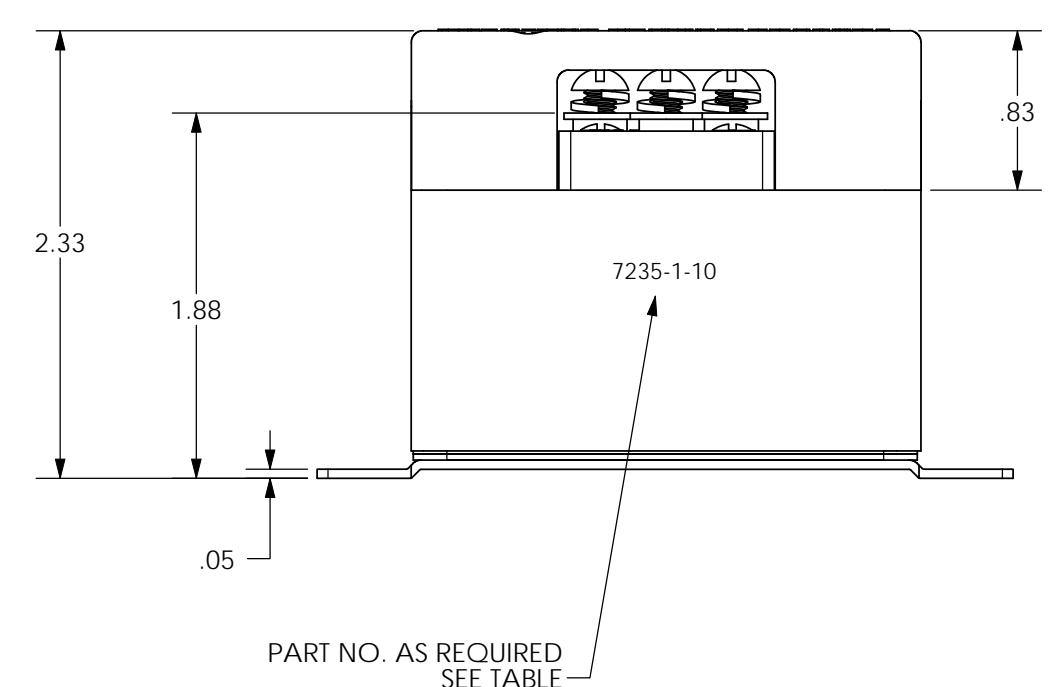
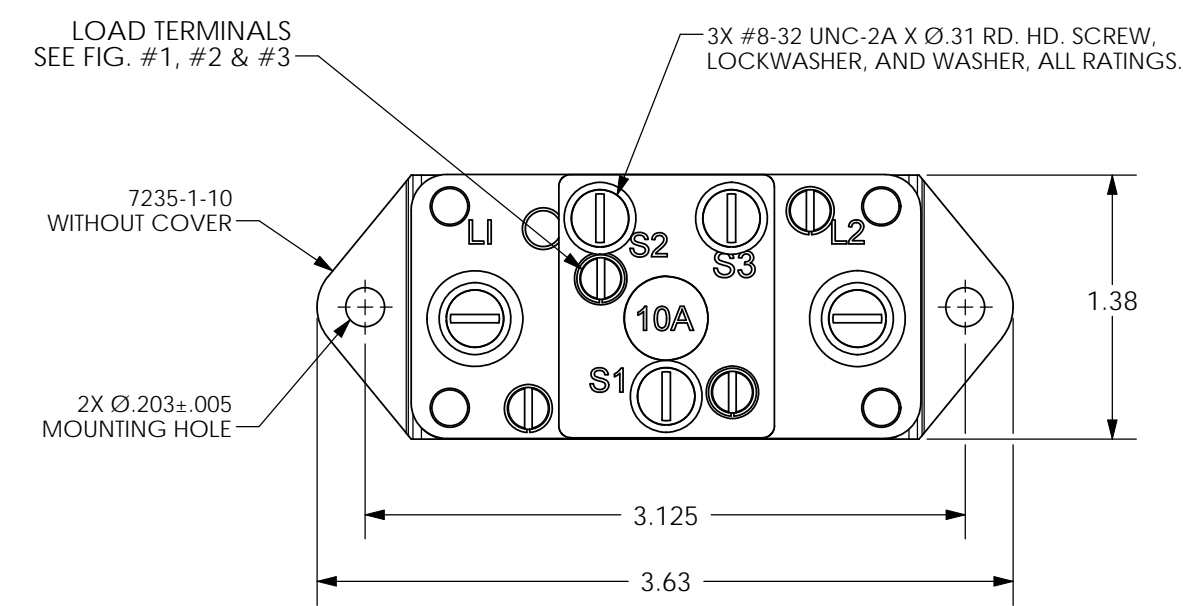
ZONE	REV.	REVISION DESCRIPTION	ECN NO.	DATE
	J	RE-DOCUMENTED IN SOLIDWORKS; GML	ECO-060846	24-MAR-2011

PERFORMANCE CHARACTERISTICS

VOLTAGE RATING	_____	28VDC / 110VAC
200% OL AT 77°F RATED CURRENT	_____	
7-12 AMPS	_____	20-100 SECONDS
15-125 AMPS	_____	10-70 SECONDS
ULTIMATE TRIP AT 77° F RATED CURRENT	_____	
MINIMUM	_____	115%
MAXIMUM	_____	138%
CONTACT RATED S1-S2	_____	10 AMPS
CONTACT RATED S1-S3	_____	(7235-1) 3 AMPS, (7235-2) 10 AMPS
INTERNAL RESISTANCE S1-S3 FOR 7235-1	_____	.75 OHMS
SINGLE/THREE PHASE WIRING DIAGRAMS	_____	298 SH.1 / 298 SH.2
SHORT-CIRCUIT RUPTURE (RELAY CAPABILITY)	_____	5 CYCLES, 20VDC, 40K FT. ALT.
7-50 AMPS	_____	2000 AMP ADJUSTED CURRENT
OVER 50 AMPS	_____	4000 AMPS ADJUSTED CURRENT
SHOCK RESISTANCE	_____	25G MIL-STD-202 METHOD 213
VIBRATION RESISTANCE	_____	.060" TOTAL EXCUSION, 10-55 CPS
EXPLOSION PROOF	_____	3 CYCLES AT 1000 AMPS MIL-STD-810
SAND AND DUST RESISTANCE	_____	4 HRS MIL-STD-202 METHOD 110
CORROSION RESISTANCE	_____	15 HRS. SPEC. QQ-M-151A
APPROX. WEIGHT	_____	9 OZS, (255 GRAMS)



7235-1-10 WITHOUT COVER



PART NO. AS REQUIRED SEE TABLE

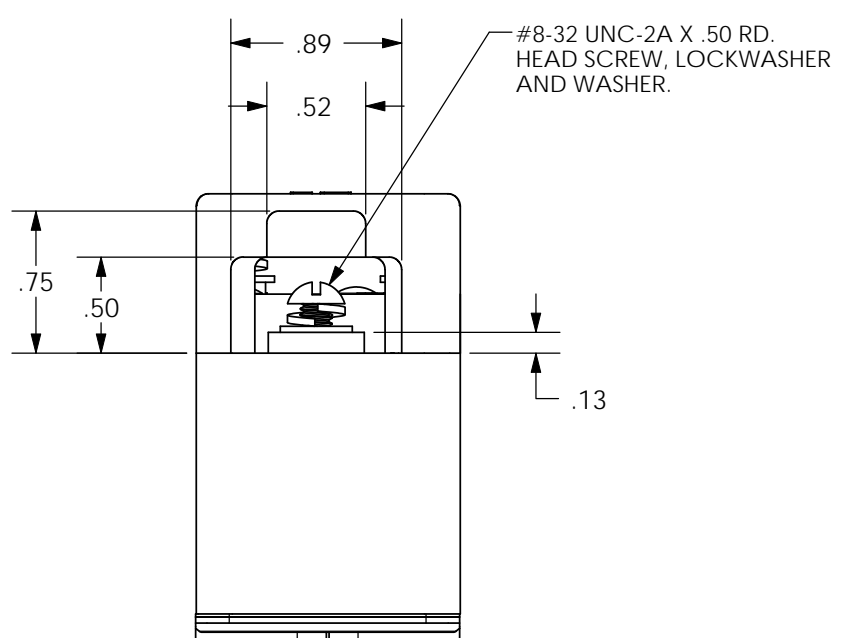


FIG. 1 APPLIES TO 7, 10, 12 & 15 AMP RATINGS

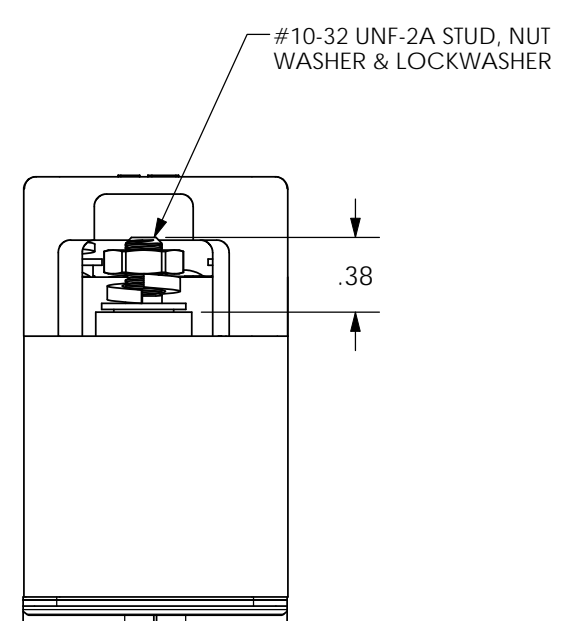


FIG. 2 APPLIES TO 20, 25, 30, 35, 40, 50, & 60 AMP RATINGS

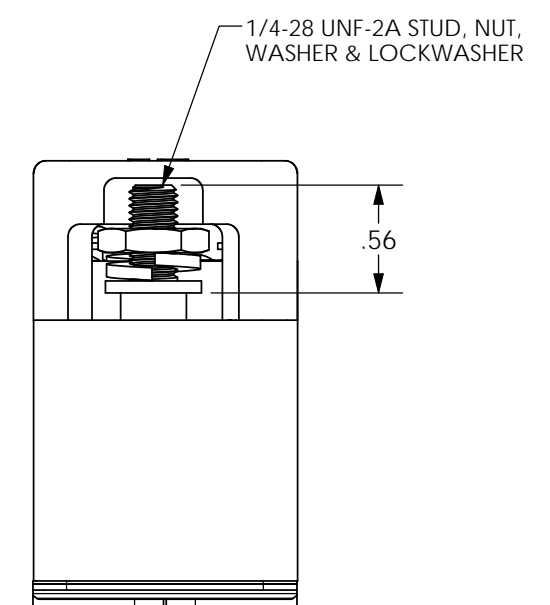


FIG. 3 APPLIES TO 70, 80, 90, 100, 110, & 125 AMP RATINGS

SENSATA TECHNOLOGIES PART NO.	
7235-1-XXX OR 7235-2-XXX	
AMP RATINGS	
7	
10	
12	
15	
20	
25	
30	
35	
40	
50	
60	
70	
80	
90	
100	
110	
125	

FOR REFERENCE ONLY, CHECK LATEST REVISION BEFORE USE. PARTS MADE TO THIS PRINT MUST CONFORM TO E9898 REV. E.		529 PLEASANT STREET P.O. BOX 2964 ATTLEBORO, MA 02703	
DRAWN R.PUCCINI DATE 23-APR-1960 ENGINEER D.APPLETON DATE 23-APR-1960 APPROVED DATE APPROVED DATE	SENSATA TECHNOLOGIES PROPRIETARY AND CONFIDENTIAL. NEITHER THIS PRINT NOR THE INFORMATION CONTAINED HEREON IS TO BE USED AGAINST THE INTERESTS OF SENSATA TECHNOLOGIES OR AGAINST THE INTERESTS OF ANY OF ITS AFFILIATED COMPANIES OR WHOLLY OWNED SUBSIDIARIES. INTERPRET DIMENSIONING AND TOLERANCING PER ASME Y14.5-2009. UNLESS OTHERWISE SPECIFIED DIMENSIONS ARE IN INCHES. TOLERANCES DECIMALS X.XX ±.03 X.XXX ±.015 ANGLES DO NOT SCALE DRAWING THIRD ANGLE PROJECTION	TITLE 7235 TYPE KLIXON OVERLOAD SENSING CONTROL ENVELOPE DRAWING SIZE C DWG NO. 7235 SCALE 1:1 SOLIDWORKS SHEET 1 OF 1	REV. J