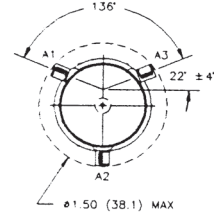
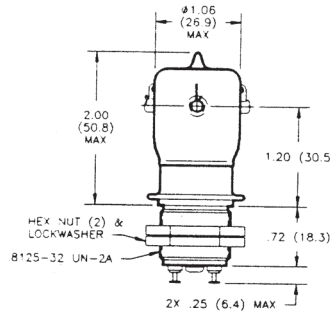
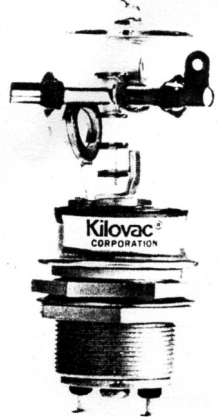


H-8 Make & Break Load Switching — 15 kV Relays

Product Facts

- Single pole, double throw contacts
- Vacuum dielectric for power switching low current loads
- 30 Amps DC continuous current rating
- Corona shield high voltage terminals available
- Meets requirements of MIL-R-83725



Product Specifications

Contact Arrangement — SPDT

Contact Form — C

Test Voltage, DC or 60 Hz (Peak) — 20 kV

Rated Operating Voltage (Peak) —
 DC or 60 Hz — 15 kV
 2.5 MHz — 12 kV
 16 MHz — 10 kV
 32 MHz — 5 kV

Continuous Carry Current, Max. —
 DC or 60 Hz — 15 A RMS
 2.5 MHz — 10 A RMS
 16 MHz — 6 A RMS
 32 MHz — 4 A RMS
 Coil Hi-Pot (Vrms, 60 Hz) — 500 A RMS

Contact Capacitance —
 Between Open Contacts — 1 pF
 Open Contacts to Ground — 1.5 pF

Contact Resistance, Max. — 0.015 ohm

Operate Time, Max. — 15 ms
Release Time, Max. — 15 ms

Shock, 11ms, 1/2 Sine (Peak) — 30 g

Vibration —
 Peak — 10 g (55 to 500 Hz)

Operating Temperature Range — -55°C to +125°C

Mechanical Life — 1 million cycles

Weight, Nominal — 85 g (3 oz.)

Coil Data

Volts, Nominal DC	12 V	26.5 V	115 V
Pickup, Max.	8 Vdc	16 Vdc	80 Vdc
Dropout	.5-5 Vdc	1-10 Vdc	5-50 Vdc
Coil Resistance (±10%)	60 Ω	265 Ω	3500 Ω

For factory-direct application assistance, dial 800-253-4560, ext. 2055, or 805-220-2055.