

Ratings

 DPDT (2 form C) contacts, 3 amp
@ 29VDC

Description

 High-performance, full-size
crystal can relay
High shock and vibration performance
with rotary armature design
Bifurcated contacts for low-level
switching
Maximum contact force through
unique design
Low-profile, high-density packaging
Weight: 0.5 ounce maximum
Enclosure:
Hermetically sealed by welding
Terminals: Plug-in, printed circuit,
hook type, or 3" weldable leads

Performance Data

 Operate Time:
6ms or less at rated voltage
Release Time: 6ms or less
Initial Contact Resistance:
0.05 ohms maximum

 Insulation Resistance: 1000 megohms
min.

Contact Rating:

 Non-inductive and low level
3 amp @ 29VDC
0.3 amp @ 115VAC, 60 to 400Hz
(1 \emptyset , case grounded)

Inductive

 1 amp @ 29VDC
0.3 amp @ 115VAC, 60 to 400Hz
(1 \emptyset , case grounded)

 Higher AC ratings available—
consult factory.

Dielectric Strength

 1000V rms at sea level
500V rms across open contacts
350V rms at 80,000 feet.

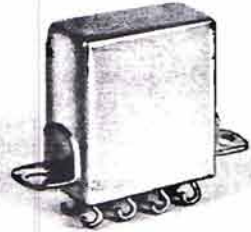
Vibration: 5-28Hz at 0.5 inch double
amplitude, 28-2000Hz at 20g,

 28-3000Hz at 30g available on request
Shock: 100g operational; 200g
mechanical

Ambient Temperature: -65°C to +125°C

Approvals

MIL-R-5757 as applicable.


Type Designation and Coil Data

Relay Type	DC Nominal Coil Data			Maximum Pick-up Voltage	
	Volts	Amperes	Ohms*	@ +25°C	@ +125°C
WKJ-6D-6VDC	6	.150	40	3.2	4.4
WKJ-6D-12VDC	12	.080	150	6.2	8.6
WKJ-6D-26.5VDC	26.5	.044	600	13	18.0
WKJ-6D-48VDC	48	.020	2320	26	36.0
WKJ-6D-115VDC	115	.012	10000	58	80.0

Current Adjust Relays

Relay Type	Maximum Pick-up mA	Ohms*	Nom. Operate Current mA**
WKJ-6D-8.0 mADC	8.0	5440	12.0
WKJ-6D-5.5 mADC	5.5	12340	8.25
WKJ-6D-4.0 mADC	4.0	27800	6.0

 *D-C Resistance—St'd. Tolerance \pm 10% Other values of resistance can be supplied.

**Note: Operate Current = 150% of maximum pull-in current

Dimensions, Terminal and Mounting Variations, on next page.

Ordering Information

 WKJ 6D
I II III

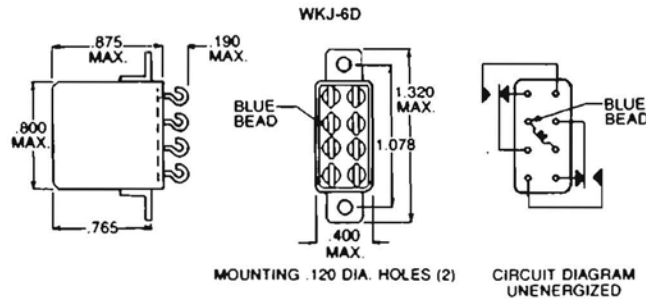
I Mounting and terminal variation.

II Coil voltage or current.

III DC or mADC.

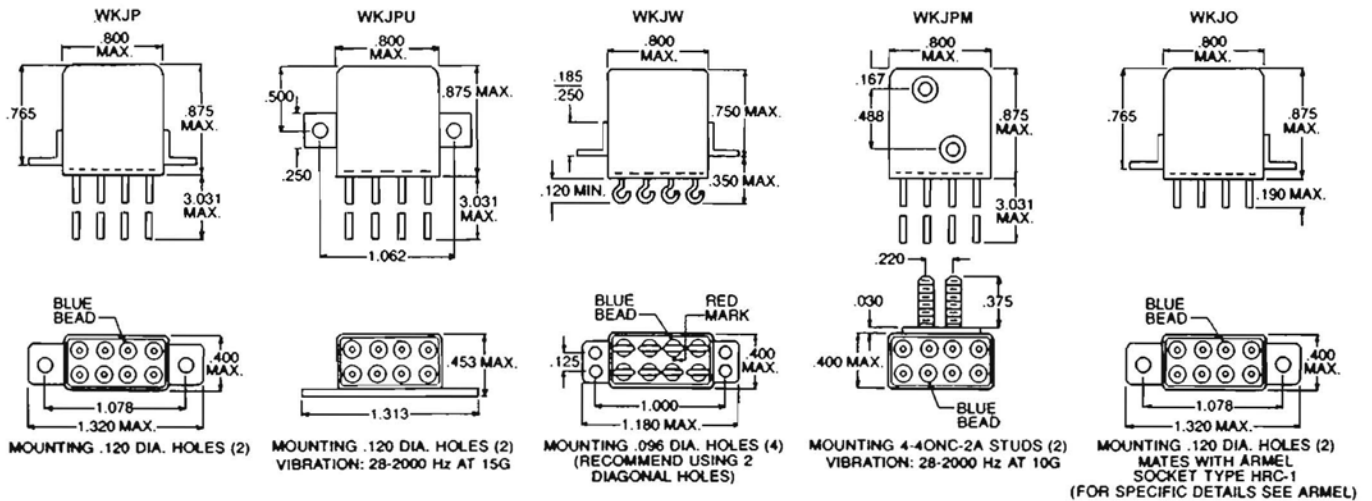
 Example: WKJP-6D-12VDC calls for 2-hole
bottom bracket; 3" long leads—12 volts.

Dimensions & Schematics



Dimensional tolerance +/-0.010"

Mounting Variations



Legend:

- | | | | |
|-------|----------------------------------------------|-------|-------------------------------------------------------------------------------------------------------------------------------------------------------|
| WKJN | No bracket, straight pins | WKJU | Centerline mtg bracket (full), hook pins |
| WKJPN | No bracket, 3" long leads | WKJPU | Centerline mtg bracket (full), 3" long leads |
| WKJR | Wide mtg bracket with 2 holes, hook pins | WKJM | Side stud mtg with support plate, hook pins |
| WKJW | Wide mtg bracket with 4 holes, hook pins | WKJPM | Side stud mtg with support plate, 3" long leads |
| WKJOR | Wide mtg bracket with 2 holes, straight pins | WKJT | Top stud mtg, hook pins |
| WKJWO | Wide mtg bracket with 4 holes, straight pins | WKJPT | Top stud mtg, 3" long leads |
| WKJP | 2-hole bottom bracket, 3" long leads | WKJO | Wide mtg bracket with 2 holes on 1.078" center, straight pins. Mates with ARMEL socket Type HRC-1. For specific details on socket, see ARMEL catalog. |

Additional variations available upon request.

NOTE: The KHY relay replaces the WKY relay.