

ENVIRONMENTALLY SEALED POSITIVE ACTION SWITCHES

Series-8836-8838 & 8843-8845

MIL-S-8834 Environmentally Sealed Positive Action Switches

FEATURES

- Environmentally sealed
- High electrical/ mechanical reliability
- Non-teasible mechanism
- Wiping action contacts
- Positive make and break action
- Molded-in terminal numbers
- One hole mounting for easy installation
- Terminal variations
- Toggle and lever lock Actuator
- Dry circuit (logic level loads) to power switching levels
- Solderable screw terminals
- 1, 2 and 4 pole circuitry

SPECIFICATIONS

- Environmentally sealed per MIL-S-8834
- MS approved and QPL'd per MIL-S-8834
- Two terminal variations
 - Screw 6-32 UNC-2B threads
 - Solder Lug .125 [3,17] dia. hole
- Temperature range: -67°F to +160°F (-55°C to +71°C)
- Life: 20,000 cycles at rated load
40,000 cycles mechanical life
- Positive action mechanism for high reliability and low contact bounce

CURRENT RATINGS







No. of Poles	Catalog Number	Type of Operation	28VDC (Amperes per pole)			115 VAC 400Hz			115VAC 60Hz		
			Lamp Load	Resistive Load	Inductive Load	Lamp Load	Resistive Load	Inductive Load	Lamp Load	Resistive Load	Inductive Load
1	8836 & 8843	Maintained & Momentary	7	25	15	7	25	15	7	20	15
2	8837 & 8844	Maintained & Momentary	7	25	15	7	25	15	7	20	15
4	8838 & 8845	Maintained & Momentary	7	25	15	7	25	15	7	20	15

Minimum Rating: 10 milliamperes at 5 millivolts.

LEVER LOCK SELECTION TABLE

CIRCUIT WITH LEVER IN . . .

CATALOG NUMBER

	Up Position	Center Position	Down Position (Keyway)	Screw Terminal		Solder Lug	
				MS Part Number	Catalog Number	MS Part Number	Catalog Number
ONE POLE							
	ON	OFF	ON	MS25306-212	8836K1	MS14001-212	8836K91
	ON	NONE	OFF	-222	K9	-222	K99
	ON	NONE	ON	-232	K4	-232	K94
	ON	OFF	NONE	-242	K6	-242	K96
	ON	NONE	ON*	MS25306-262	8836K5	MS14001-262	8836K95
	* ON	OFF	ON*	-272	K2	-272	K92
	NONE	OFF	ON*	-282	K7	-282	K97
	ON	NONE	OFF*	-292	K10	-292	K910
	OFF	NONE	ON*	MS25306-302	8836K11	MS14001-302	8836K911
	ON	OFF	ON*	-312	K13	-312	K93
TWO POLE							
	ON	OFF	ON	MS25307-212	8837K1	MS14002-212	8837K91
	ON	NONE	OFF	-222	K9	-222	K99
	ON	NONE	ON	-232	K4	-232	K94
	ON	OFF	NONE	-242	K6	-242	K96
	ON	NONE	ON*	MS25307-262	8837K5	MS14002-262	8837K95
	* ON	OFF	ON*	-272	K2	-272	K92
	NONE	OFF	ON*	-282	K7	-282	K97
	ON	NONE	OFF*	-292	K10	-292	K910
	OFF	NONE	ON*	MS25307-302	8837K11	MS14002-302	8837K911
	ON	OFF	ON*	-312	K3	-312	K93
FOUR POLE							
	ON	OFF	ON	MS25308-212	8838K1	MS14003-212	8838K91
	ON	NONE	OFF	-222	K9	-222	K99
	ON	NONE	ON	-232	K4	-232	K94
	ON	OFF	NONE	-242	K6	-242	K96
	ON	NONE	ON*	MS25308-262	8838K5	MS14003-262	8838K95
	* ON	OFF	ON*	-272	K2	-272	K92
	NONE	OFF	ON*	-282	K7	-282	K97
	ON	NONE	OFF*	-292	K10	-292	K910
	OFF	NONE	ON*	MS25308-302	8838K11	MS14003-302	8838K911
	ON	OFF	ON*	-312	K3	-312	K93

* **Momentary contact.**

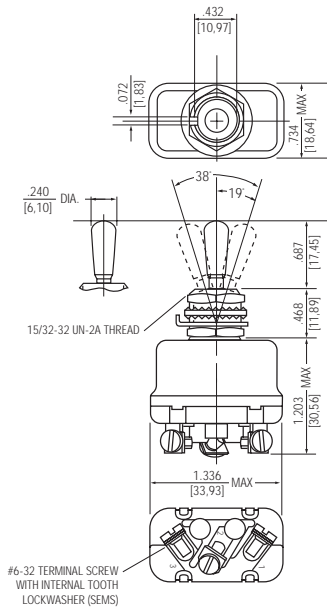
See page A75 for special circuit diagrams.
Note: Screw terminal version shown.

ENVIRONMENTALLY SEALED POSITIVE ACTION SWITCHES

**Series-8836-8838
& 8843-8845**

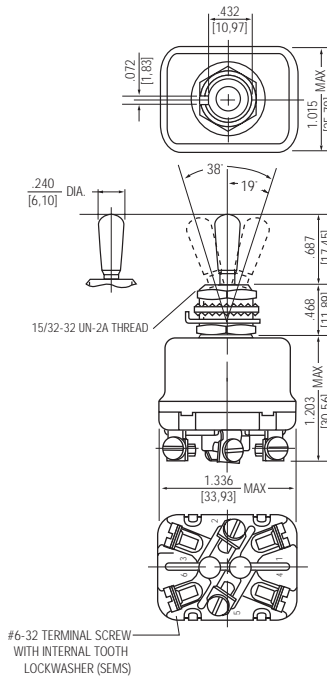
MIL-S-8834 Environmentally Sealed Positive Action Switches

MOUNTING DIMENSIONS - ONE POLE / 8836 SCREW TERMINALS



Terminal Identification

MOUNTING DIMENSIONS - TWO POLE / 8837 SCREW TERMINALS



Terminal Identification

STANDARD

0.00 = inches

[0,0] = mm

Mounting dimensions for reference only.

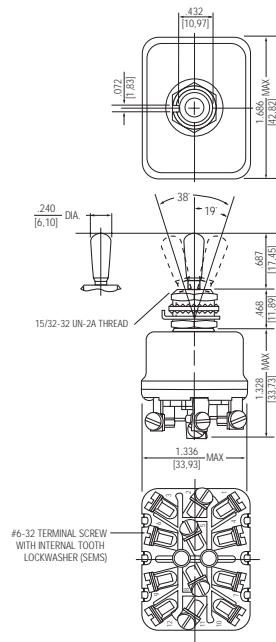
Non-functional terminals not supplied.

ENVIRONMENTALLY SEALED POSITIVE ACTION SWITCHES

**Series-8836-8838
& 8843-8845**

MIL-S-8834 Environmentally Sealed Positive Action Switches

MOUNTING DIMENSIONS - FOUR POLE / 8838 SCREW TERMINALS



90-2539 AI

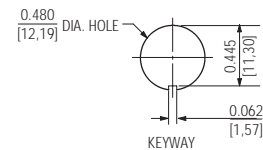
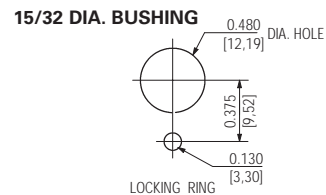
Terminal Identification

Non-functional terminals not supplied.

OPTIONS/ACCESSORIES

- Special mounting hardware
- Mounting hardware furnished assembled
- Panel seal, Part Number 32-341
- Terminal screws furnished assembled
- Terminal screws omitted
- Solder lug termination
- Substitute SEMS screws
- Special marking
- Special "3 Cateye" luminous lever attachment - 8836-8838 only
- Lever extensions and attachable tips (See Accessories and Custom Components section)
- Custom wiring harnesses

PANEL CUTOUT DIMENSIONS



STANDARD

0.00 = inches

[0,0] = mm

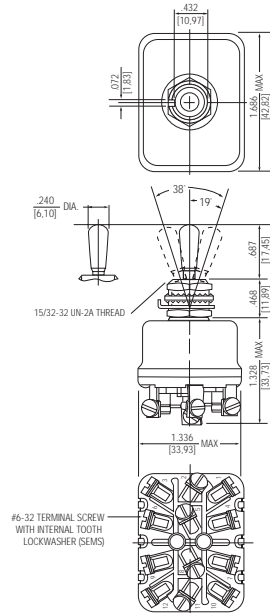
Mounting dimensions for reference only.

ENVIRONMENTALLY SEALED POSITIVE ACTION SWITCHES

**Series-8836-8838
& 8843-8845**

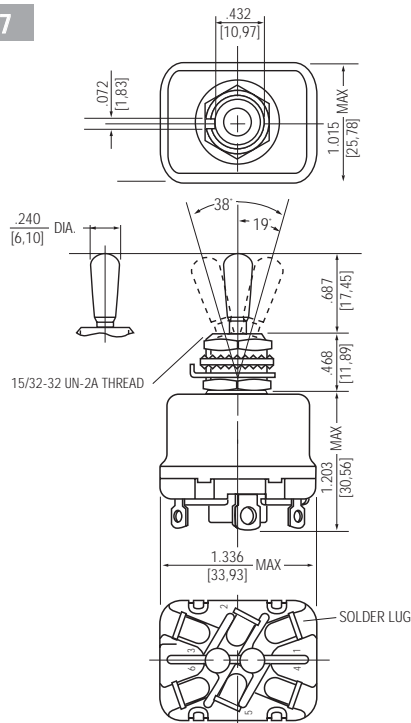
MIL-S-8834 Environmentally Sealed Positive Action Switches

MOUNTING DIMENSIONS - ONE POLE / 8836 SOLDER LUG TERMINALS



Terminal Identification

MOUNTING DIMENSIONS - TWO POLE / 8837 SOLDER LUG TERMINALS



Terminal Identification

STANDARD
0.00 = inches
[0,0] = mm

Mounting dimensions for reference only.

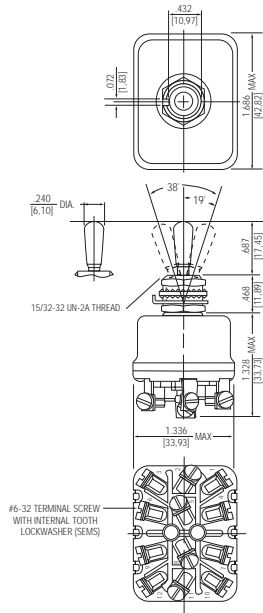
Non-functional terminals not supplied.

ENVIRONMENTALLY SEALED POSITIVE ACTION SWITCHES

**Series-8836-8838
& 8843-8845**

MIL-S-8834 Environmentally Sealed Positive Action Switches

MOUNTING DIMENSIONS - FOUR POLE/ 8838 SOLDER LUG TERMINALS



90-2539.AI

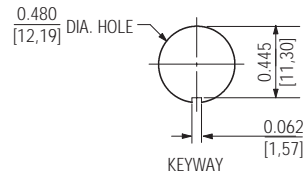
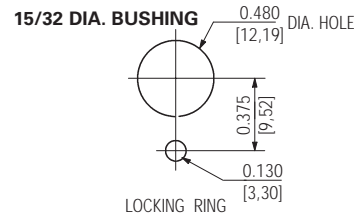
Terminal Identification

Non-functional terminals not supplied.

OPTIONS/ACCESSORIES

- Special mounting hardware
- Mounting hardware furnished assembled
- Panel seal, Part Number 32-341
- Terminal screws furnished assembled
- Terminal screws omitted
- Substitute sems screws
- Special marking
- Special "3 Cateye" luminous lever attachment - 8836-8838 only
- Lever extensions and attachable tips (See Accessories and Custom Components section)
- Custom wiring harnesses

PANEL CUTOUT DIMENSIONS



STANDARD

0.00 = inches

[0,0] = mm

Mounting dimensions for reference only.

ENVIRONMENTALLY SEALED POSITIVE ACTION SWITCHES

**Series-8836-8838
& 8843-8845**

MIL-S-8834 Environmentally Sealed Positive Action Switches Lever Lock

SELECTION TABLE

CIRCUIT WITH LEVER IN . . .

8843



8844



8845



Up Position	Center Position	Down Position (Keyway)	Lever ① Lock Bushing Style	MS Part Number	Catalog Number
ONE POLE					
ON →	← OFF →	← ON	A	MS24612-A212	8843K1
ON	← OFF →	ON	B	-B212	K2
ON	← OFF →	NONE	B	-B242	K16
ON	OFF	← ON	C	-C212	K3
ON	NONE	← OFF	C	-C222	K9
ON	NONE	← ON	C	MS24612-C232	8843K7
ON	← OFF →	ON	D	-D212	K4
ON →	OFF	← ON	E	-E212	K5
ON →	NONE	← OFF	E	-E222	K10
ON →	NONE	← ON	E	-E232	K6
* ON	← OFF →	ON*	F	MS24612-F272	8843K12
ON	OFF →	ON*	G	-G312	K13
* ON	← OFF →	ON*	H	-H272	K14
ON →	← OFF →	NONE	J	-J242	K11
NONE	OFF →	ON*	K	-K282	K15
ON	← OFF →	ON*	K	MS24612-K312	8843K18
ON →	NONE	ON*	L	-L262	K20
ON →	NONE	OFF*	L	-L292	K21
OFF →	NONE	ON*	L	-L302	K19
ON	← OFF →	ON*	M	-M312	K8
ON →	← OFF →	ON*	N	-N312	K17
TWO POLE					
ON →	← OFF →	← ON	A	MS24613-A212	8844K1
ON	← OFF →	ON	B	-B212	K2
ON	← OFF →	NONE	B	-B242	K16
ON	OFF	← ON	C	-C212	K3
ON	NONE	← OFF	C	-C222	K9
ON	NONE	← ON	C	MS24613-C232	8844K7
ON	← OFF →	ON	D	-D212	K4
ON →	OFF	← ON	E	-E212	K5
ON →	NONE	← OFF	E	-E222	K10
ON →	NONE	← ON	E	-E232	K6
* ON	← OFF →	ON*	F	MS24613-F272	8844K12
ON	OFF →	ON*	G	-G312	K13
* ON	← OFF →	ON*	H	-H272	K14
ON →	← OFF →	NONE	J	-J242	K11
NONE	OFF →	ON*	K	-K282	K15
ON	← OFF →	ON*	K	MS24613-K312	8844K18
ON →	NONE	ON*	L	-L262	K20
ON →	NONE	OFF*	L	-L292	K21
OFF →	NONE	ON*	L	-L302	K19
ON	← OFF →	ON*	M	-M312	K8
ON →	← OFF →	ON*	N	-N312	K17
FOUR POLE					
ON →	← OFF →	← ON	A	MS24614-A212	8845K1
ON	← OFF →	ON	B	-B212	K2
ON	← OFF →	NONE	B	-B242	K16
ON	OFF	← ON	C	-C212	K3
ON	NONE	← OFF	C	-C222	K9
ON	NONE	← ON	C	MS24614-C232	8845K7
ON	← OFF →	ON	D	-D212	K4
ON →	OFF	← ON	E	-E212	K5
ON →	NONE	← OFF	E	-E222	K10
ON →	NONE	← ON	E	-E232	K6
* ON	← OFF →	ON*	F	MS24614-F272	8845K12
ON	OFF →	ON*	G	-G312	K13
* ON	← OFF →	ON*	H	-H272	K14
ON →	← OFF →	NONE	J	-J242	K11
NONE	OFF →	ON*	K	-K282	K15
ON	← OFF →	ON*	K	MS24614-K312	8845K18
ON →	NONE	ON*	L	-L262	K20
ON →	NONE	OFF*	L	-L292	K21
OFF →	NONE	ON*	L	-L302	K19
ON	← OFF →	ON*	M	-M312	K8
ON →	← OFF →	ON*	N	-N312	K17

* Momentary contact.

→ Indicates direction against which lever is locked.
See page A75 for circuit diagrams.

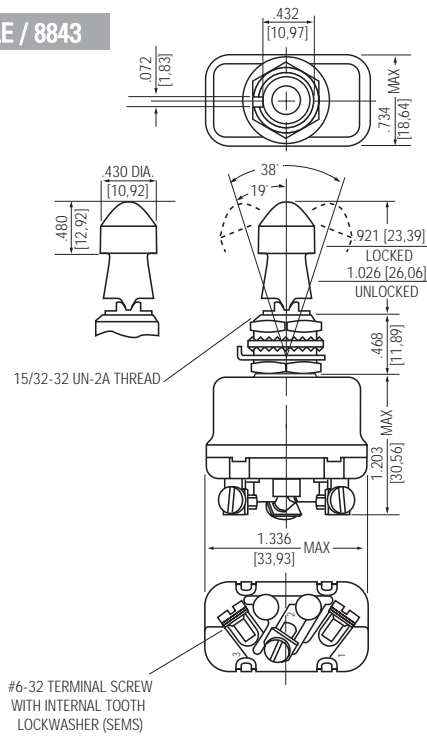
① Reference bushing styles on page A45.

ENVIRONMENTALLY SEALED POSITIVE ACTION SWITCHES

**Series-8836-8838
& 8843-8845**

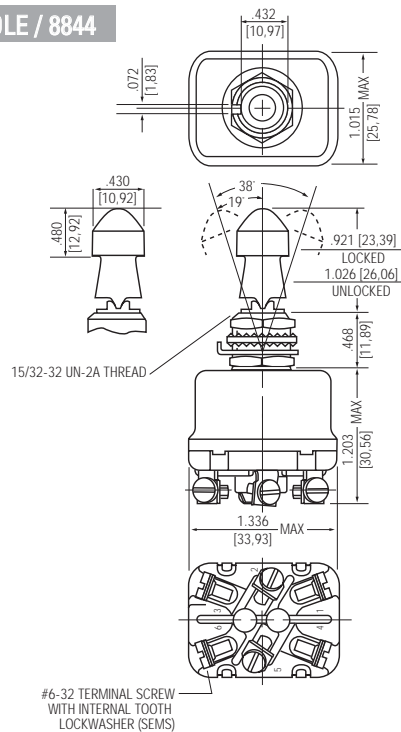
**MIL-S-8834 Environmentally Sealed Positive Action Switches
Lever Lock**

MOUNTING DIMENSIONS - ONE POLE / 8843



Terminal Identification

MOUNTING DIMENSIONS - TWO POLE / 8844



Terminal Identification

STANDARD

0.00 = inches

[0,0] = mm

Mounting dimensions for reference only.

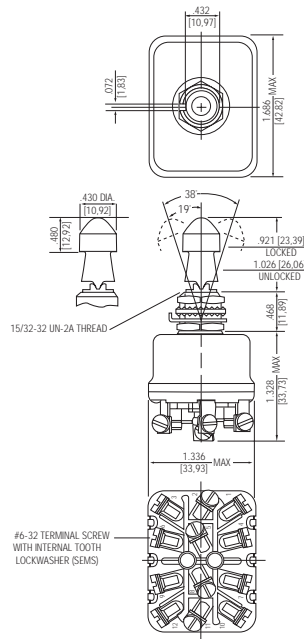
Non-functional terminals not supplied.

ENVIRONMENTALLY SEALED POSITIVE ACTION SWITCHES

**Series-8836-8838
& 8843-8845**

**MIL-S-8834 Environmentally Sealed Positive Action Switches
Lever Lock**

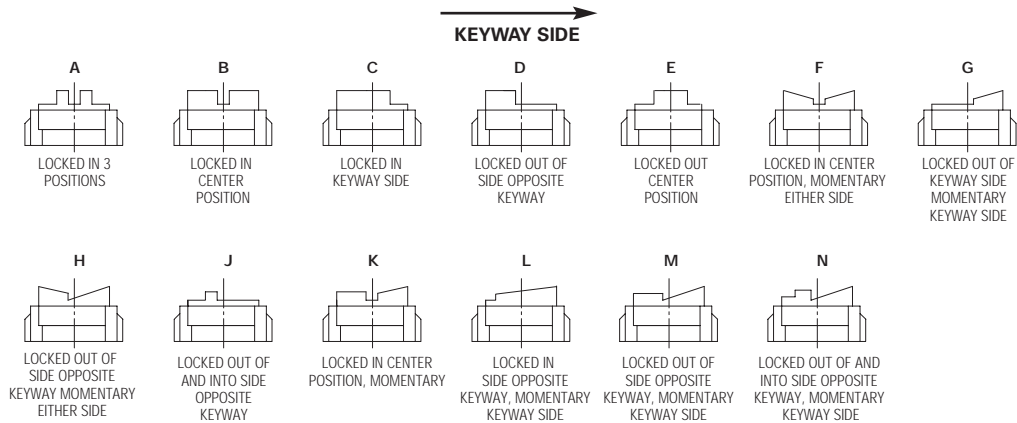
MOUNTING DIMENSIONS - FOUR POLE/ 8845



Terminal Identification

Non-functional terminals not supplied.

LEVER LOCK - BUSHING STYLES

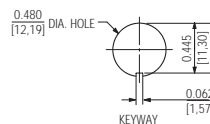
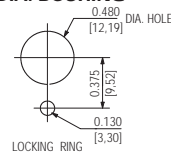


OPTIONS/ACCESSORIES

- Special mounting hardware
- Mounting hardware furnished assembled
- Panel seal, Part Number 32-341
- Terminal screws furnished assembled
- Terminal screws omitted
- Solder lug termination
- Substitute sems screws
- Special marking
- Special "3 Catye" luminous lever attachment - 8836-8838 only
- Lever extensions and attachable tips (See Accessories and Custom Components section)
- Custom wiring harnesses

PANEL CUTOUT DIMENSIONS

15/32 DIA. BUSHING



STANDARD

0.00 = inches

[0,0] = mm

Mounting dimensions for reference only.