

ENVIRONMENTALLY SEALED POSITIVE ACTION SWITCHES

Series 8836KP-38KP

Flush Mounted Environmentally Sealed Positive Action Switches

FEATURES

- Environmentally Sealed
- High electrical/mechanical reliability
- Non-teasible mechanism
- Wiping action contacts
- Positive make and break action
- Molded-in terminal numbers
- Three hole design for flush mounting
- Dry circuit (logic level loads) to Power Switching levels
- 1,2, and 4 pole circuitry

SPECIFICATIONS

- Environmentally sealed per MILS-8834
- Switch mechanism MS approved and QPL'd per MILS-8834
- Temperature Range: -67°F to 160°F (-55°C to +71°C)
- Life: 20,000 cycles at rated load
40,000 cycles mechanical life
- Positive action mechanism for high reliability and low contact bounce


CURRENT RATINGS

No. of Poles	Catalog Number	Type of Operation	28VDC (Amperes per pole)			115VAC 400Hz (Amperes per pole)			115VAC 60Hz (Amperes per pole)		
			Lamp Load	Resistive Load	Inductive Load	Lamp Load	Resistive Load	Inductive Load	Lamp Load	Resistive Load	Inductive Load
1	8836KP	Maintained and Momentary	7	25	15	7	25	15	7	20	15
2	8837KP	Maintained and Momentary	7	25	15	7	25	15	7	20	15
4	8838KP	Maintained and Momentary	7	25	15	7	25	15	7	20	15

Minimum Rating: 25 microamperes at 5 millivolts.

LEVER LOCK SELECTION TABLE

CIRCUIT WITH LEVER IN . . .

Up Position	Center Position	Down Position (Keyway)	Screw Terminal
			Catalog Number

ONE POLE

8836KP



ON	OFF	ON	8836KP1
ON	NONE	OFF	8836KP9
ON	NONE	ON	8836KP4
ON	NONE	ON*	8836KP5
ON	OFF	ON*	8836KP3
ON*	OFF	ON*	8836KP2
ON	OFF	ON	8836KP1T
ON	NONE	OFF	8836KP9T

TWO POLE

8837KP



ON	OFF	ON	8837KP1
ON	NONE	OFF	8837KP9
ON	NONE	ON	8837KP4
ON	NONE	OFF*	8837KP10
ON*	OFF	ON*	8837KP2
ON	OFF	NONE	8837KP6
ON	OFF	ON*	8837KP3
ON	NONE	ON	8837KP4T
ON	OFF	ON	8837KP1T

FOUR POLE

8838KP



ON	OFF	ON	8838KP31
ON	NONE	ON	8838KP34
ON	OFF	NONE	8838KP36
ON	OFF	ON	8838KP1
ON	NONE	ON	8838KP4
ON	OFF	ON*	8838KP3
ON*	OFF	ON*	8838KP2
ON	OFF	NONE	8838KP6
ON	NONE	ON*	8838KP5

* Momentary contact.

Note: Additional circuit arrangements available.

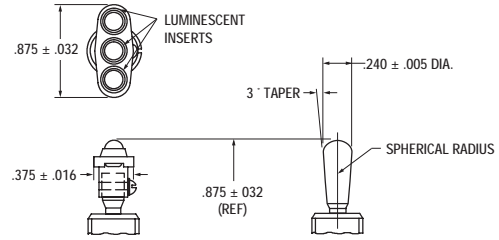
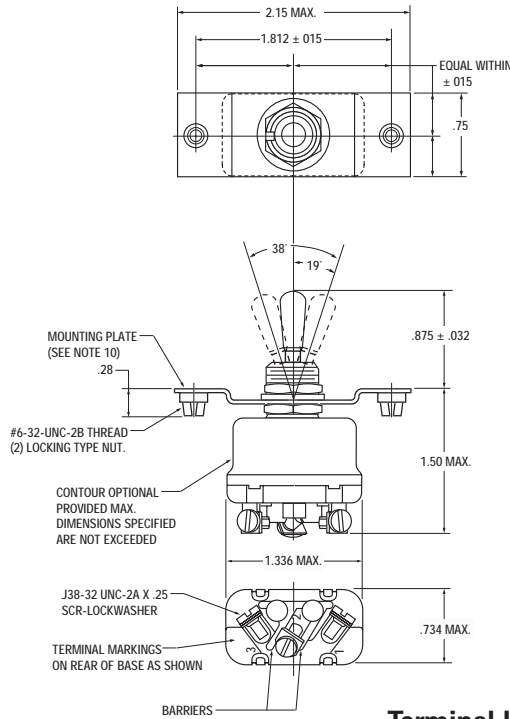
ENVIRONMENTALLY SEALED POSITIVE ACTION SWITCHES

Series 8836KP-38KP

Flush Mounted Environmentally Sealed Positive Action Switches

MOUNTING DIMENSIONS - ONE POLE / 8836 KP

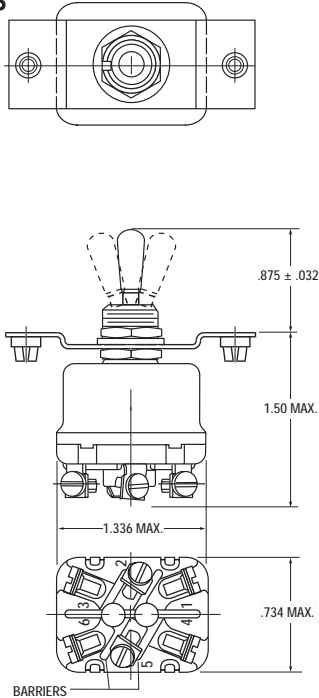
SCREW TERMINALS



Terminal Identification

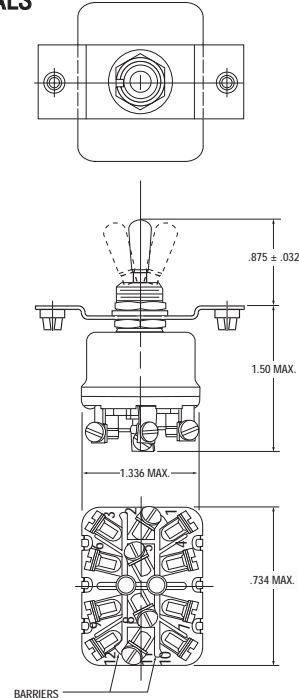
MOUNTING DIMENSIONS - TWO POLE / 8837 KP

SCREW TERMINALS



MOUNTING DIMENSIONS - TWO POLE / 8838 KP

SCREW TERMINALS



STANDARD
0.00 = inches
[0,0] = mm

Mounting dimensions for reference only.

Non-functional terminals not supplied.