

PUSHBUTTON SWITCHES

Series - A20000 Momentary Snap Action J20000 Push-Push (Alternate) Action

Illuminated Switches

FEATURES

- Moisture resistant
- Flame retardant back material
- Low operating force
- Independent lamp circuit
- Rugged case
- A20000 Series Momentary Snap Action
- J20000 Series Alternate Action

SPECIFICATIONS

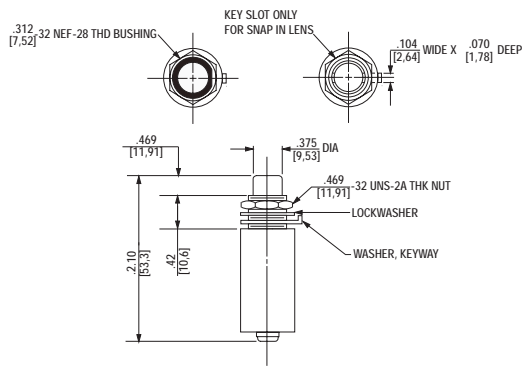
- Drip-proof enclosure design level 2
- Per MIL-PRF-22885/18
- Temperature Range: -67°F to +185°F (-55°C to +85°C)
- Operating Force: 2 ± 1 lb (8.88N)
- Plunger travel: 0.160 in. (4.06mm) approx.
- Uses either M22885/19 screw type or snap-in type lenses per MIL-PRF-22885/99.
- Uses T-1-3/4 Midget Flange Base, Incandescent Lamp

CURRENT RATINGS

Part Number	Number of Poles	Type of Operation	28VDC			115VAC 60/400 Hz		
			Resistive	Inductive	Lamp	Resistive	Inductive	Lamp
J20000	2	Alternate	2	1.5	0.5	2	1.5	0.5
A20000	2	Momentary	2	1.5	0.5	2	1.5	0.5

SELECTION TABLE

APPROXIMATE DIMENSIONS



Catalog Number	Circuit	Lens Type	Detail Sheet	Spec.
Alternate Action				
J20145	2 P.D.T.	Screw-in	M22885/18-02	
J20149	2 Circuit			-04
J20152	2 P.D.T.	Snap-in	M22885/18-06	
J20153	2 Circuit			-08
Momentary Action				
A20267	2 P.D.T.	Screw-in	M22885/18-01	
A20271	2 Circuit			-03
A20272	2 P.D.T.	Snap-in	M22885/18-05	
A20273	2 Circuit			-07

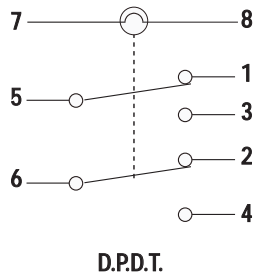
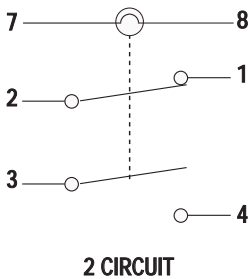
A20000*



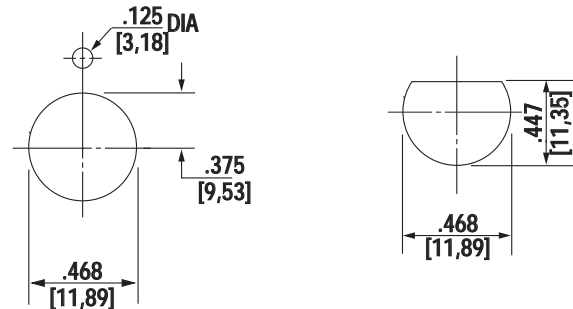
J20000

*NOTE: Catalog number does not include lens shown above.

SCHEMATIC DIAGRAMS - A20000 AND J20000



RECOMMENDED PANEL MOUNTING HOLE DIMENSIONS



STANDARD

0.00 = inches

[0,0] = mm

Dimensions for reference only.