

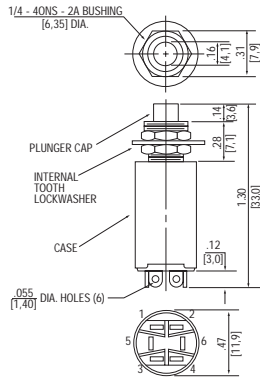
SERIES TYPE

APPROXIMATE DIMENSIONS

SELECTION TABLES



B7070
Two Pole



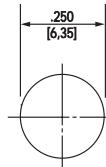
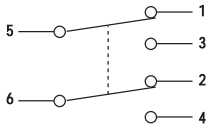
Solder Terminals

Catalog Number	Military Part Number	Case Color	Button Color
B7070	M8805/95-001	Clear	Black
B7070R	M8805/95-002	Clear	Red
B7070B	M8805/95-003	Black	Black
B7070BR	M8805/95-004	Black	Red

SCHEMATIC DIAGRAMS - B7070

PANEL CUT-OUT

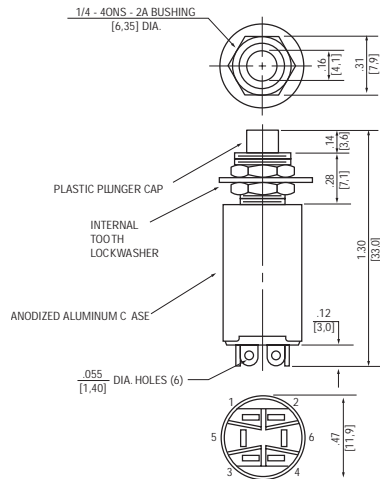
D.P.D.T.



PANEL MTG HOLE DIMENSIONS



BR7070
Two Pole



Solder Terminals

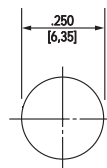
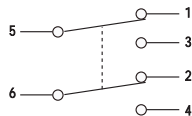
Catalog Number	Case Color	Button Color
BR7070	Clear	Black
BR7070R	Clear	Red
BR7070B	Black	Black
BR7070BR	Black	Red

*EMI/RFI shielded

SCHEMATIC DIAGRAMS - B7070

PANEL CUT-OUT

D.P.D.T.



PANEL MTG HOLE DIMENSIONS

STANDARD

0.00 = inches

[0,0] = mm

Dimensions for reference only.