

FEATURES	SPECIFICATIONS	CURRENT RATINGS					
		Part Number	28VDC			125VAC	
			Resistive Load	Inductive Load	Lamp	Resistive Load	Inductive Load ^③
<ul style="list-style-type: none"> Low level switching capability Moisture-proof Momentary action (except #7 button) Push-Pull action (#7 button only) Up to 1 million mechanical cycles EMI/RFI shielding available Tease resistant, snap action Six circuit arrangements available Various adapter, button styles and colors High contact pressure Compact size Corrosion resistant case and adapters 	<ul style="list-style-type: none"> MS27903 (WC150 series only) Operating temperature: -40°F to +158°F (-40°C to +70°C) Electrical life: 25,000 cycles at rated load Operating force: Approx. 2.5-5 lbs (Momentary) Approx. 1.5-2.5 lbs (Push-Pull) Total plunger travel: 0.085 in. (2.16mm) approx. W100 and WC150 exceeds seal level 2 per MIL-S-8805 C100 series meets seal level 2 per MIL-S-8805 	C100 Series	10 ^①	5	3	10 ^①	5
		W100 Series	10 ^②	5	3	10 ^②	5
		WC1500 Series	—	2	—	—	—
		W403 P6 (R) ^④	10	5	—	—	—

① 3 amps max. through center terminal of A800 and A11200
 ② 3 amps max. through center terminal of W104 and W105
 ③ p.f. = .75
 ④ EMI/RFI shielded

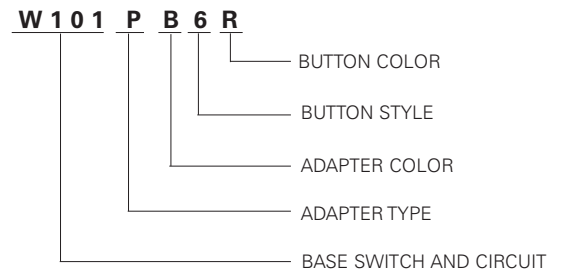
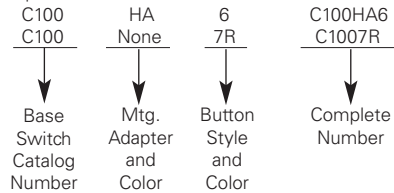
SELECTION TABLE

SERIES AND TYPE	Base Switch - Catalog Number				Options - Suffix Number				
	Circuit	Solder Lug Terminals				Mounting Adapters		Auxiliary Buttons	
		Non-Sealed		Sealed		Type	Color	Style	Color
		Normal Force	Light Op. Force (2 +/- .5 lb.)	Normal Force	Light Op. Force (2 +/- 1 lb.)				
C100	SP-NO	C100	C111	—	—	Standard: N, P, PA, W, L (with #5 button only) Optional: D, E, HA, J, M, PL, U, Y	B=Black R=Red No Alpha= Clear	2, 6, or 7	No Alpha= Black R=Red W=White
	SP-NC	C3100	C112	—	—			On Switch without Adapter	
	1 P.D.T.-2 Ckt.	C200	C113	—	—			2, 3, 4 or 7	
	SP-NO 3 Term.	A800	C114	—	—			On Switches with Adapter	
	SP-NC 3 Term.	A11200	C115	—	—			2, 3, 4, 6 or 7	
W100	1 P.D.T. Dbl Brk	C4100	C116	—	—	D, E, HA, J, M, PL, U, Y	No Alpha= Clear	6	No Alpha= Black R=Red W=White
	SP-NO	—	—	W101	W111			2, 3, 4, 6 or 7	
	SP-NC	—	—	W102	W112				
	1 P.D.T.-2 Ckt.	—	—	W103	W113				
	SP-NO 3 Term.	—	—	W104	W114				
WC150	SP-NC 3 Term.	—	—	W105	W115				
	1 P.D.T. Dbl Brk	—	—	W106	W116				
	1 P.D.T.-2 Ckt.	—	—	—	—			6	
	2 P.D.T. 4 Ckt. May be Jumpered for 2 P.D.T.	—	—	WC150	—			2, 3, 4, 6 or 7	
								6	

WHEN ORDERING SPECIFY...

• Catalog number of base switch - followed by suffix numbers of options (when required) as selected from Selection Table.

Order Example:



STANDARD

0.00 = inches

[0,0] = mm

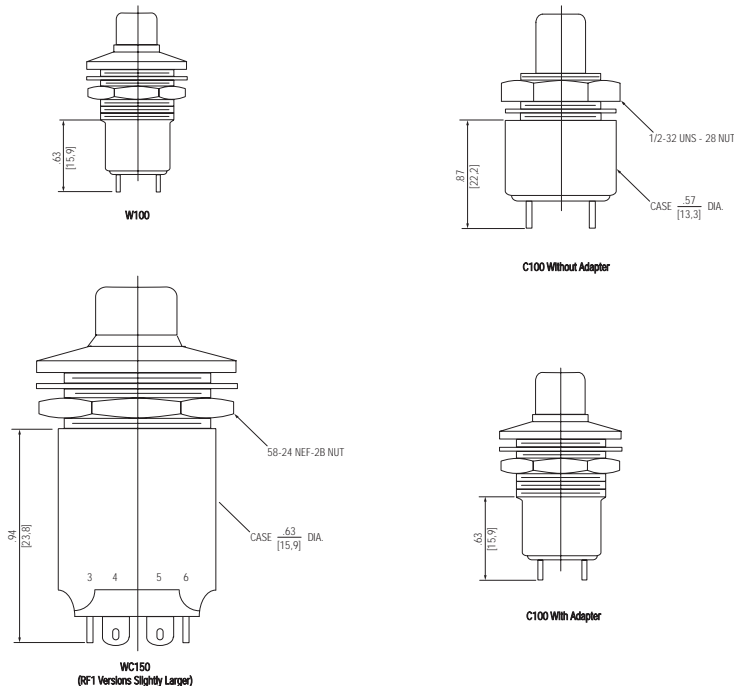
Dimensions for reference only.

PUSHBUTTON SWITCHES

Series - C100, W100, WC150

Uniform Panel Appearance Switches

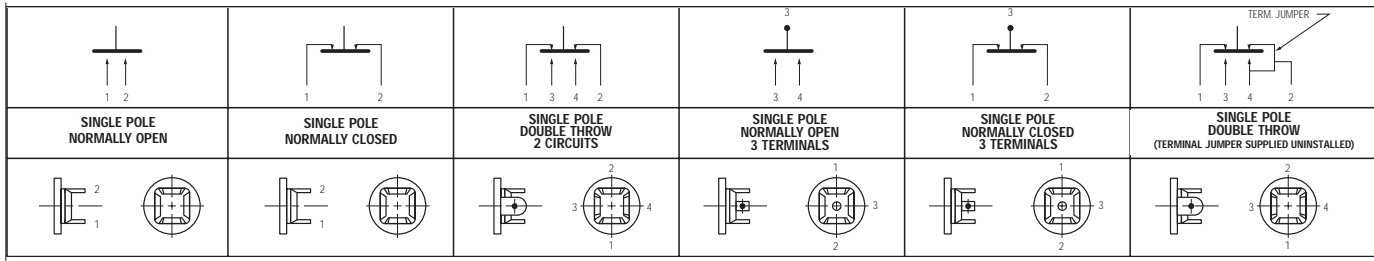
APPROXIMATE DIMENSIONS - PUSHBUTTON SWITCHES



APPROXIMATE DIMENSIONS - AUXILIARY BUTTONS

	Style Number 2		Style Number 3		Style Number 4		Style Number 6		Style Number 7	
	A	B	A	B	A	B	A	B	A	B
Series Number	mm.	in.	mm.	in.	mm.	in.	mm.	in.	mm.	in.
Series C100										
Without Adapter	7.9	.31	7.9	.31	-	-	7.9	.31	4.8	.19
With Adapter	9.5	.37	7.9	.31	9.5	.37	4.8	.19	7.9	.31
Series W100 & WC150										
With Adapter	9.5	.37	7.9	.31	9.5	.37	4.8	.19	9.5	.37
Without Adapter		.37		.34		.37		.38		.41

SCHEMATIC DIAGRAMS



STANDARD

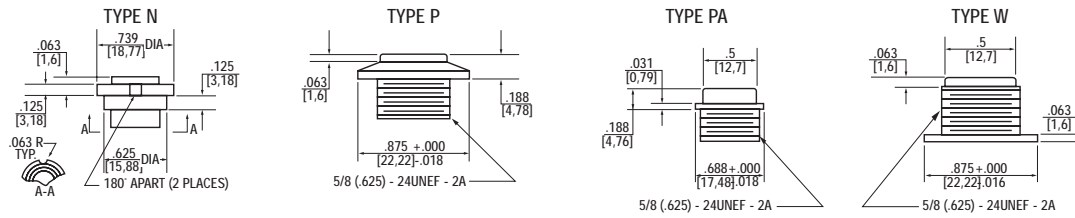
0.00 = inches

[0,0] = mm

Dimensions for reference only.

APPROXIMATE DIMENSIONS - MOUNTING ADAPTERS

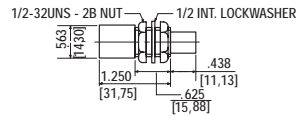
STANDARD:



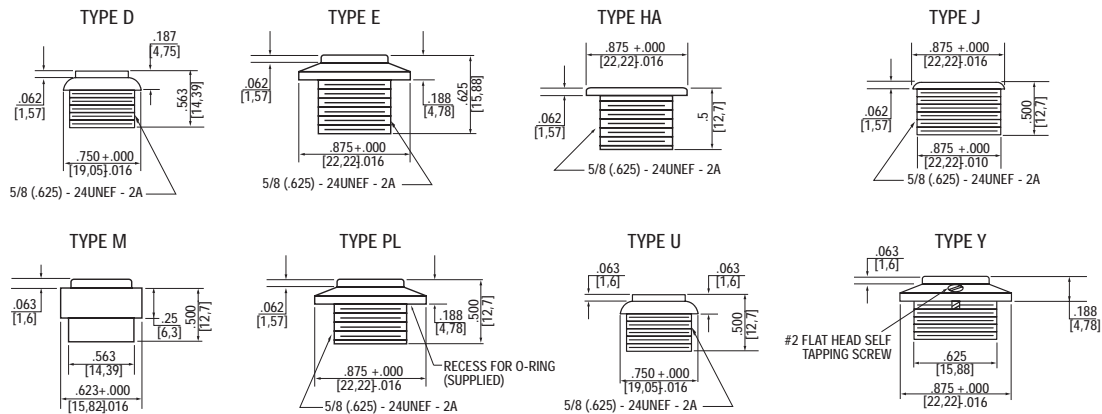
PLUNGER CAP COLORS:

CHROME: NO LETTER
 RED: R
 BLACK: B
 TOTAL PLGR TRAVEL: .438 APPROX.
 OVERTRAVEL: .313 APPROX.

TYPE L WITH 5 PLUNGER CAP



OPTIONAL:

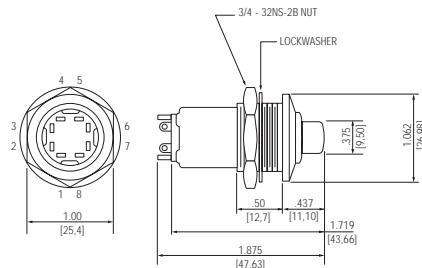


NOTE: INTERNAL THREADS 1/2 - 32 UNS-2B

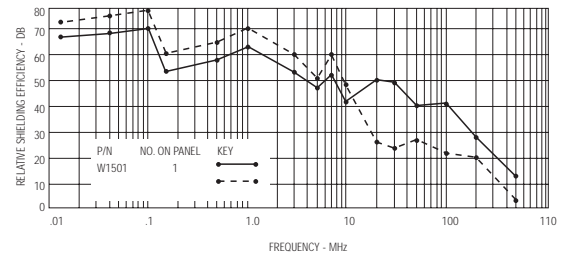
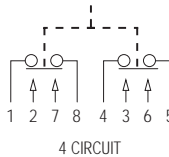
EMI/RFI SHIELDED



W1501



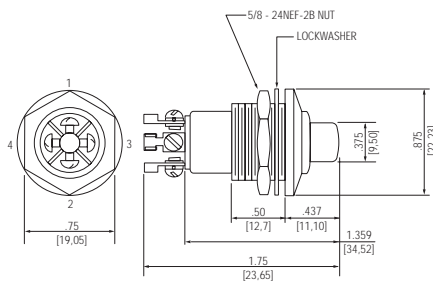
SCHEMATIC



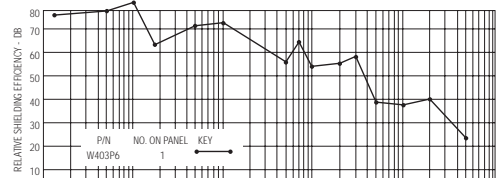
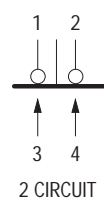
Graphic Illustration defines relative shielding efficiency of RFI shielded component/ components over unshielded device.



W403P6



SCHEMATIC



Graphic Illustration defines relative shielding efficiency of RFI shielded component/ components over unshielded device.

STANDARD

0.00 = inches

[0,0] = mm

Dimensions for reference only.