

PUSHBUTTON SWITCHES

Series - C20050

Momentary Snap Action Pushbutton Switches

FEATURES SPECIFICATIONS CURRENT RATINGS

- Snap action pushbutton
- Compact size
- Black or red buttons available
- Momentary

- Meets MIL-S-8805/20
- Operating force: 3.5 ± 1 lb (2.48kg \pm .68kg)
- Electrical life: 40,000 operations minimum at rated load
- Mechanical life: 50,000 operations minimum
- Terminal strength: 5 lbs (2.25kg)
- Single pole, two circuit
- Weight approx.: .02 lb (9g)

Part Number	Number of Poles	Type of Operation	120VAC ^①	120VDC	230VDC ^②
C20050	1	Momentary	15	1	0.05

^① p.f. = .50

^② 5,000 operations

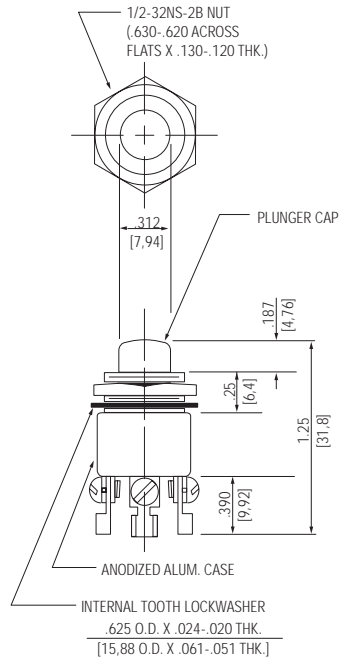
SELECTION TABLE



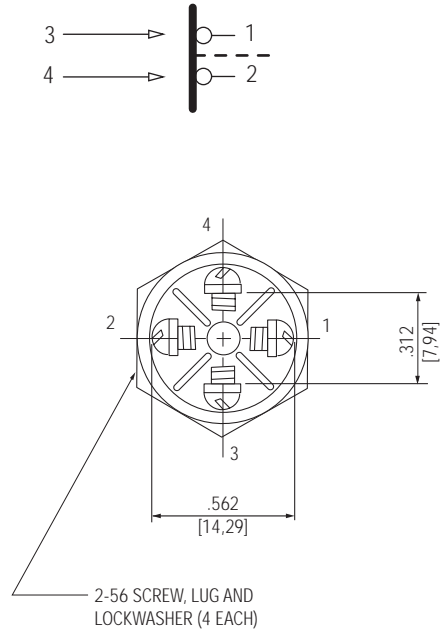
Circuit	Operation	Case Color	Button Color	Catalog Number	Military Part Number
1 P.D.T.-2 Ckt.	Momentary	Clear	Black	C20050	MS16712-1
1 P.D.T.-2 Ckt.	Momentary	Clear	Red	C20050R	MS16712-2

C20050

APPROXIMATE DIMENSIONS - C20050



BASIC SWITCH SCHEMATIC DIAGRAM



Mounting and terminal hardware supplied unassembled.

STANDARD

0.00 = inches

[0,0] = mm

Dimensions for reference only.