

ECONOSWITCH - ENVIRONMENTALLY SEALED SWITCHES







Series - 8533, 8534, 8535

Econoswitch Sealed Designerline Toggle Switches

FEATURES	SPECIFICATIONS	CURRENT RATINGS								
		No. of Poles	Catalog Number	Type of Operation	28VDC			115 VAC 60 or 400Hz		
					Lamp Load	Resistive Load	Inductive Load	Lamp Load	Resistive Load	Inductive Load
<ul style="list-style-type: none"> Environmentally sealed 1, 2 and 4 pole circuitry One hole mounting for easy installation Variety of lever styles and colors Color-coded, shaped levers for operator feel and cosmetic appearance 2 & 3 position with maintained and momentary action Three types of termination offered as standard Multi-circuits Also available with toggle and lever lock Actuator. For details, see page A11 for toggles and page A14 for lever locks. 	<ul style="list-style-type: none"> Watertight seal per MIL-STD-108E designed to meet IP68 UL recognized and CSA certified Bushing: 15/32" - 32 thread Temperature range: -50°F to +150°F (-46°C to +66°C) Life: 50,000 operations at rated load 100,000 operations mechanical life 	1	8533	Maintained	5	20	15	3	15	10
		1	8533	Momentary	4	15	10	2	11	7
		2	8534	Maintained	7	20	15	4	15	15
		2	8534	Momentary	5	18	10	2	11	8
		4	8535	Maintained	5	20	12	4	15	15
		4	8535	Momentary	4	18	10	2	11	8

For the UL/CSA ratings, see page A70.

SELECTION TABLE

	CIRCUIT WITH LEVER IN . . .			CATALOG NUMBER								
	Up Position	Center Position	Down Position (Keyway)	Screw Terminals ①	Solder Lug Terminals ①	Spade Terminals ①	Shape Suffix ②	Color Letter	Suffix Number			
												
 <p>8533</p>	ONE POLE			ON	OFF	ON	8533K1	8533K91	88533K31	All	White	21
	ON	NONE	OFF	K9	K99	K39						
	ON	NONE	ON	K4	K94	K34						
	ON	OFF	NONE	K6	K96	K36						
	ON	OFF	NONE	K8	K98	K38	All	Red	22			
	ON	NONE	ON*	8533K5	8533K95	8533K35						
	ON	OFF	ON*	K2	K92	K32						
	NONE	OFF	ON*	K7	K97	K37						
	ON	NONE	OFF*	K10	K910	K310	All	Black	27			
	OFF	NONE	ON*	K11	K911	K311						
	ON	OFF	ON*	8533K3	8533K93	8533K33						
	ON	ON	NONE	K12	K912	K312						
	ON	ON	NONE	K13	K913	K313						
 <p>8534</p>	TWO POLE			ON	OFF	ON	8534K1	8534K91	8534K31	All	White	21
	ON	NONE	OFF	K9	K99	K39						
	ON	NONE	ON	K4	K94	K34						
	ON	OFF	NONE	K6	K96	K36						
	ON	OFF	NONE	K8	K98	K38	All	Red	22			
	ON	NONE	ON*	8534K5	8534K95	8534K35						
	ON	OFF	ON*	K2	K92	K32						
	NONE	OFF	ON*	K7	K97	K37						
	ON	NONE	OFF*	K10	K910	K310	All	Black	27			
	OFF	NONE	ON*	K11	K911	K311						
	* ON	ON	NONE	8534K3	8534K93	8534K33						
	ON	ON	NONE	K12	K912	K312						
	ON	ON	NONE	K13	K913	K313						
 <p>8535</p>	FOUR POLE			ON	OFF	ON	8535K1	8535K91	8535K31	All	White	21
	ON	NONE	OFF	K9	K99	K39						
	ON	NONE	ON	K4	K94	K34						
	ON	OFF	NONE	K6	K96	K36						
	ON	OFF*	NONE	K8	K98	K38	All	Red	22			
	ON	NONE	ON*	8535K5	8535K95	8535K35						
	* ON	OFF	ON*	K2	K92	K32						
	NONE	OFF	ON*	K7	K97	K37						
	ON	NONE	OFF*	K10	K910	K310	All	Black	27			
	OFF	NONE	ON*	K11	K911	K311						
	* ON	ON	NONE	8535K3	8535K93	8535K33						
	ON	ON	NONE	K12	K912	K312						
	ON	ON	NONE	K13	K913	K313						
ON	ON	ON	8535K15	8535K915	8535K315							
ON	ON	ON*	K16	K916	K316							
* ON	ON	ON*	K17	K917	K317							

* Momentary contact.

① A complete catalog number consists of a basic switch number followed by a lever shape suffix letter and a two-digit lever color suffix number. Example: 8533K91E27.

See page A71 for circuit diagrams.

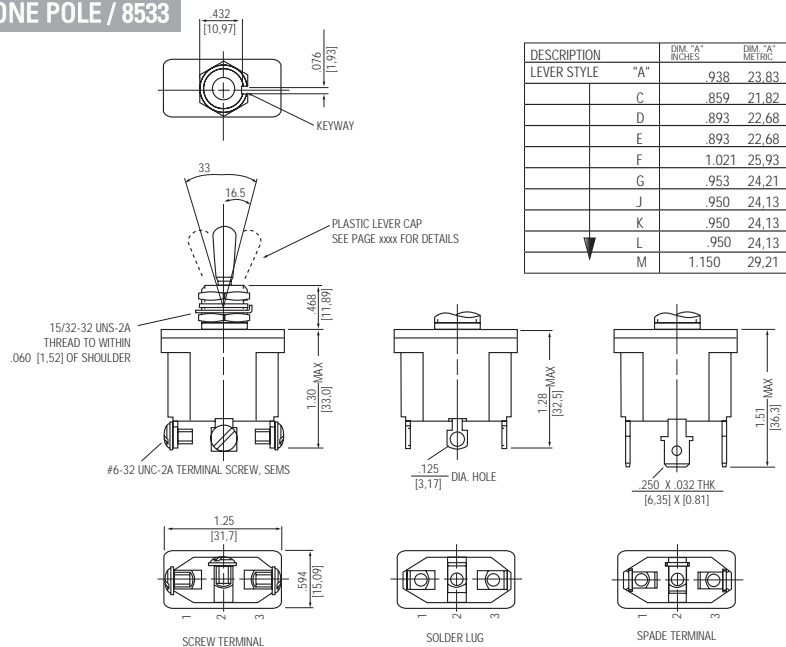
② Select lever shape suffix letter from page A19.

ECONOSWITCH - ENVIRONMENTALLY SEALED SWITCHES

Series - 8533, 8534, 8535

Econoswitch Sealed Designerline Toggle Switches

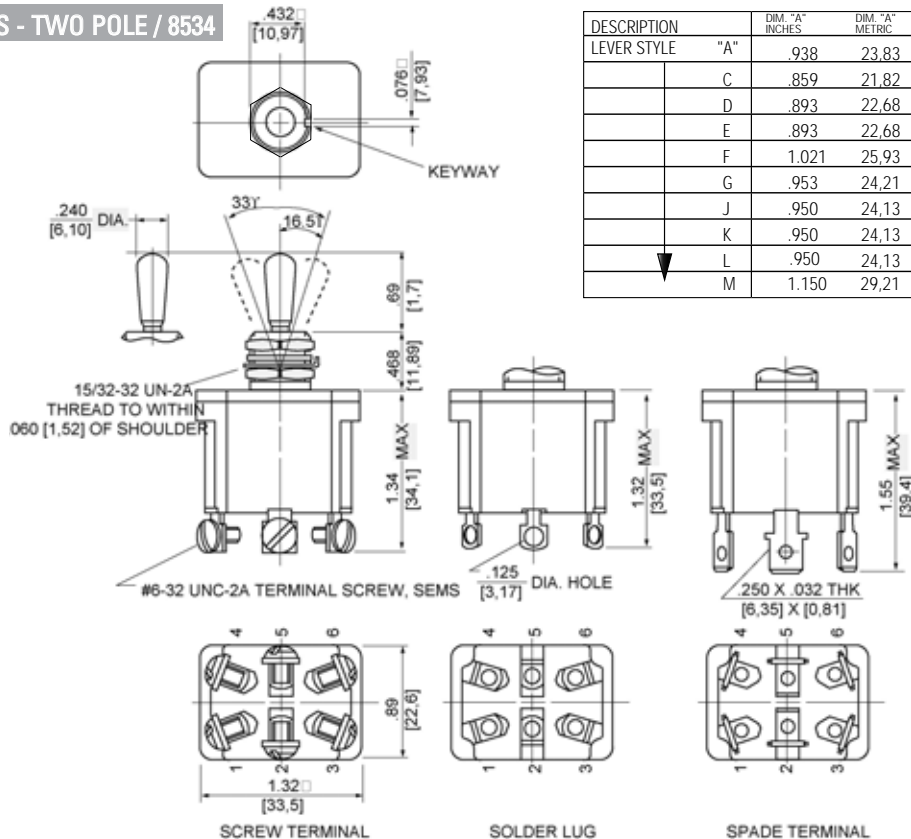
MOUNTING DIMENSIONS - ONE POLE / 8533



DESCRIPTION	DIM. "A" INCHES	DIM. "A" METRIC
LEVER STYLE "A"	.938	23,83
C	.859	21,82
D	.893	22,68
E	.893	22,68
F	1.021	25,93
G	.953	24,21
J	.950	24,13
K	.950	24,13
L	.950	24,13
M	1.150	29,21

Terminal Identification

MOUNTING DIMENSIONS - TWO POLE / 8534



DESCRIPTION	DIM. "A" INCHES	DIM. "A" METRIC
LEVER STYLE "A"	.938	23,83
C	.859	21,82
D	.893	22,68
E	.893	22,68
F	1.021	25,93
G	.953	24,21
J	.950	24,13
K	.950	24,13
L	.950	24,13
M	1.150	29,21

Terminal Identification

STANDARD

0.00 = inches

[0,0] = mm

Mounting dimensions for reference only.

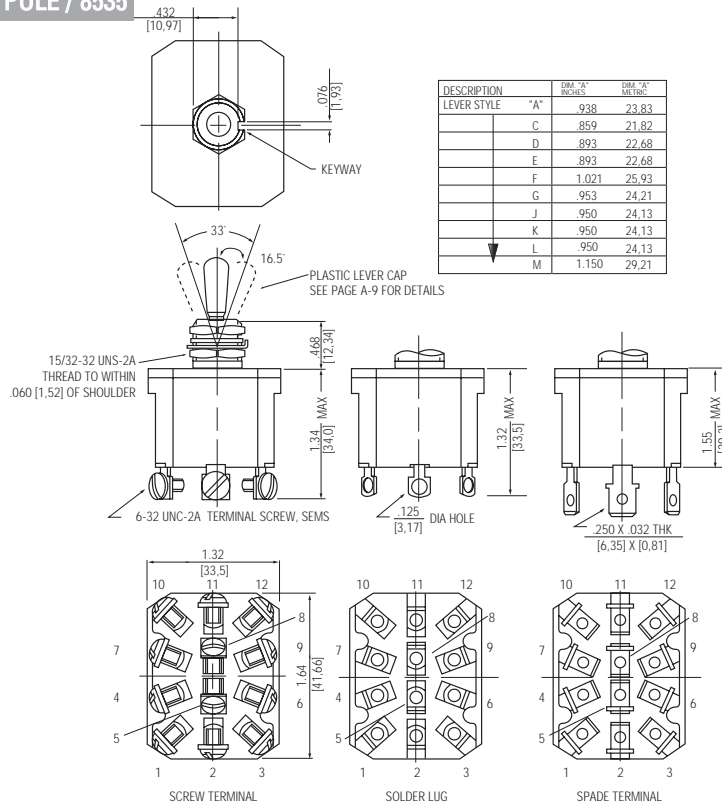
Non-functional terminals not supplied.

ECONOSWITCH - ENVIRONMENTALLY SEALED SWITCHES

Series - 8533, 8534, 8535

Econoswitch Sealed Designerline Toggle Switches

MOUNTING DIMENSIONS - FOUR POLE / 8535

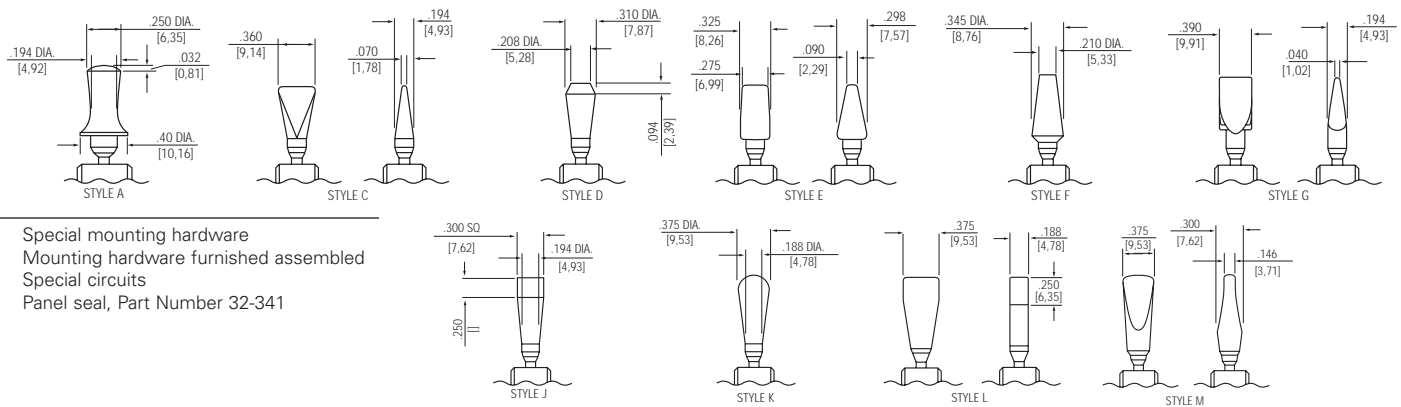


Terminal Identification

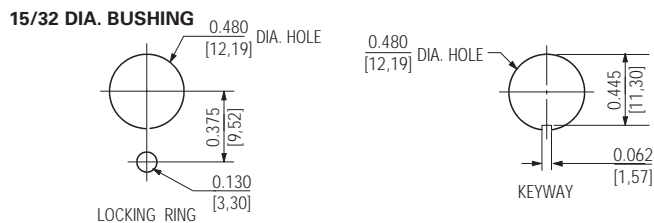
Non-functional terminals not supplied.

OPTIONS/ACCESSORIES

- Standard colors available - White, red and black



PANEL CUTOUT DIMENSIONS



STANDARD

0.00 = inches

[0,0] = mm

Mounting dimensions for reference only.