

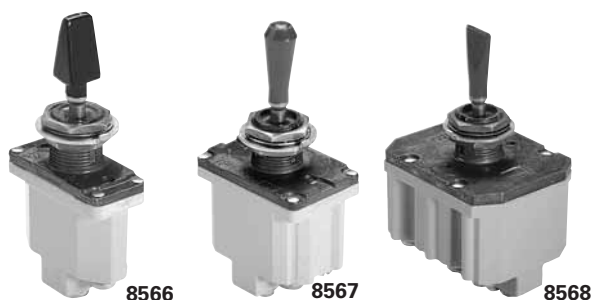
INDUSTRIAL - ENVIRONMENTALLY SEALED SWITCHES

Series - 8566, 8567, 8568

Environmentally Sealed Designerline Toggle Switches

FEATURES	SPECIFICATIONS	CURRENT RATINGS								
		No. of Poles	Catalog Number	Type of Operation	28VDC			115 VAC 60 or 400Hz		
<ul style="list-style-type: none"> Completely sealed against dust, moisture, and other contaminants Variety of lever styles and colors One hole mounting for easy installation 2 & 3 position with maintained and momentary action 1, 2 and 4 pole circuitry Molded-in terminal inserts and terminal numbers Color-coded shaped levers for operator feel and cosmetic appearance 	<ul style="list-style-type: none"> Watertight seal per MIL-STD-108E and designed to meet IP68 Bushing: 15/32" - 32 thread Temperature Range: -50°F to +150°F (-46°C to +66°C) Life: 20,000 operations at rated load 40,000 operations mechanical life Thermoset molding materials meet flame retardant requirements 				Lamp Load	Resistive Load	Inductive Load	Lamp Load	Resistive Load	Inductive Load
		1	8566	Maintained Momentary	5 4	20 15	15 10	3 2	15 15	10 7
		2	8567	Maintained Momentary	7 5	20 18	15 10	4 2	15 11	15 8
		4	8568	Maintained Momentary	5 4	20 18	12 10	4 2	15 11	15 8

FLUSH SCREW TERMINALS



CIRCUIT WITH LEVER IN . . .			ONE POLE	TWO POLE	FOUR POLE	LEVER SUFFIXES ¹		
Up Position	Center Position	Down Position (Keyway)	Catalog Number	Catalog Number	Catalog Number	Shape [®] Suffix	Color Letter	Suffix Number
			8566K1	8567K1	8568K1			
ON	OFF	ON	K9	K9	K9			
ON	NONE	OFF	K4	K4	K4			
ON	NONE	ON	K6	K6	K6	All	White	21
ON	OFF	NONE	K8	K8	K8			
ON	OFF*	NONE	K8	K8	K8			
ON	OFF*	NONE	K8	K8	K8			
* ON	OFF	ON*	8566K5	8567K5	8568K5			
* ON	OFF	ON*	K2	K2	K2			
NONE	OFF	ON*	K7	K7	K7			
ON	NONE	OFF*	K10	K10	K10	All	Red	22
OFF	NONE	ON*	K11	K11	K11			
ON	OFF	ON*	8566K3	8567K3	8568K3			
* ON	ON	NONE	K12	K12	K12			
ON	ON	NONE	K13	K13	K13			
ON	ON	ON	—	8567K14	8568K15	All	Black	27
ON	ON	ON*	—	K15	K16			
* ON	ON	ON*	—	K16	K17			
ON	ON	ON	—	8567K17	—			
ON	ON	ON*	—	K18	—			
* ON	ON	ON*	—	K19	—			

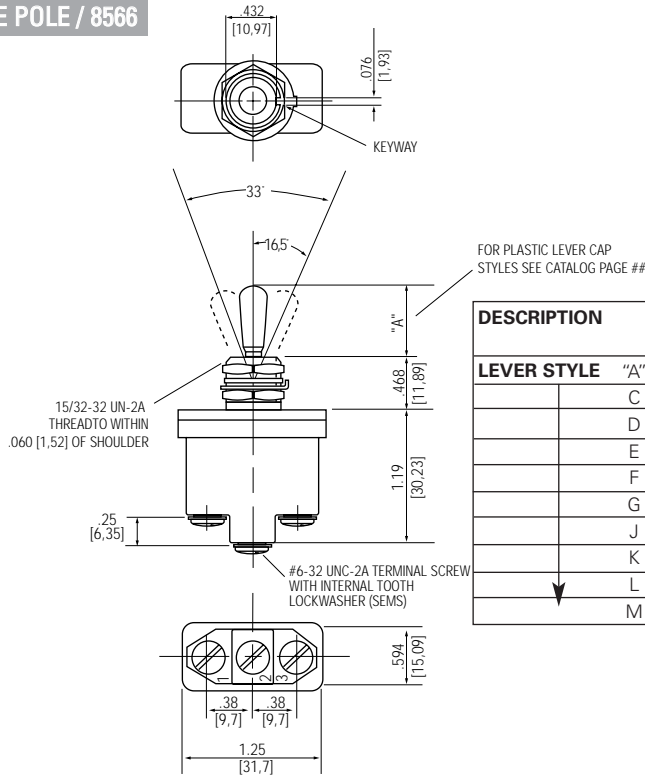
* Momentary contact.

See page A71 for circuit diagrams.

① A complete catalog number consists of a basic switch number followed by a lever shape suffix letter and a two-digit lever color suffix number. Example: 8566K1C21.

② Select lever shape suffix letter from page A10.

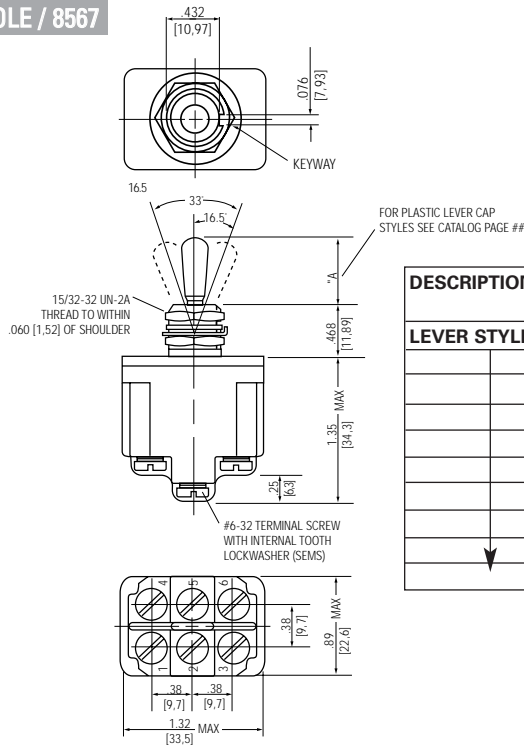
MOUNTING DIMENSIONS - ONE POLE / 8566



DESCRIPTION	DIM. "A" INCHES	DIM. "A" METRIC
LEVER STYLE "A"	.938	23,83
C	.859	21,82
D	.893	22,68
E	.893	22,68
F	1.021	25,93
G	.953	24,21
J	.950	24,13
K	.950	24,13
L	.950	24,13
M	1.150	29,21

Terminal Identification

MOUNTING DIMENSIONS - TWO POLE / 8567



DESCRIPTION	DIM. "A" INCHES	DIM. "A" METRIC
LEVER STYLE "A"	.938	23,83
C	.859	21,82
D	.893	22,68
E	.893	22,68
F	1.021	25,93
G	.953	24,21
J	.950	24,13
K	.950	24,13
L	.950	24,13
M	1.150	29,21

Terminal Identification

STANDARD
0.00 = inches
[0,0] = mm

Mounting dimensions for reference only.

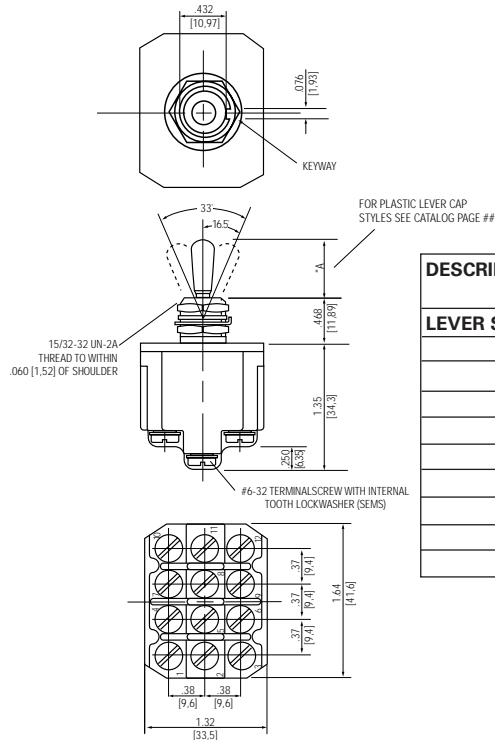
Non-functional terminals not supplied.

INDUSTRIAL - ENVIRONMENTALLY SEALED SWITCHES

Series - 8566, 8567, 8568

Environmentally Sealed Designerline Toggle Switches

MOUNTING DIMENSIONS - FOUR POLE / 8568



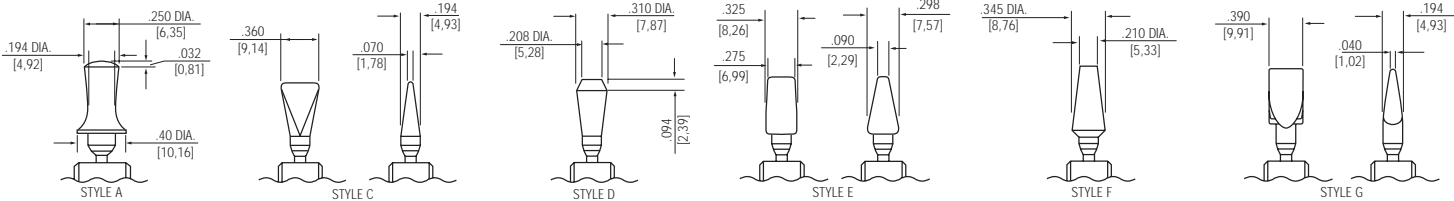
DESCRIPTION	DIM. "A"	DIM. "A"	
LEVER STYLE	"A"	INCHES	METRIC
A	.938	23,83	
C	.859	21,82	
D	.893	22,68	
E	.893	22,68	
F	1.021	25,93	
G	.953	24,21	
J	.950	24,13	
K	.950	24,13	
L	.950	24,13	
M	1.150	29,21	

Terminal Identification

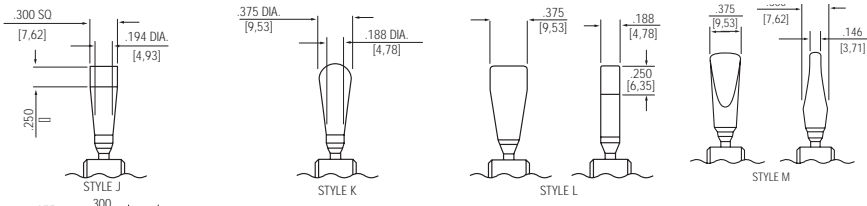
Non-functional terminals not supplied.

OPTIONS/ACCESSORIES

- Standard colors available - White, red and black

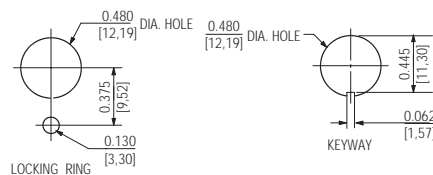


- Special mounting hardware
- Mounting hardware furnished assembled
- Terminal screws furnished assembled
- Spade terminal adapters available
- Panel seal, Part Number 32-341
- Special circuits



PANEL CUTOUT DIMENSIONS

15/32 DIA. BUSHING



STANDARD

0.00 = inches

[0,0] = mm

Mounting dimensions for reference only.