



# Miniature On-Board Display Indicator™

## Model CI 25



### FEATURES

- Compact P.C. Board Mounting
- Latching Display
- Low Cost
- For Use in Industrial and Medical Applications
- High Visibility
- Withstands multiple autoclave operations

Designed for P.C. board mounting, the CI 25 indicator is a miniature single coil magnetic latching drum indicator. It features a nonvolatile drum display that provides positive indication of a fault condition and excellent visibility in high ambient light.

The Model CI 25 was designed to provide a low cost solution to monitoring fault conditions or end-of-use indication. This rugged design offers the reliability of much more expensive devices while providing long life in the harshest of environments.

### Operation

When the indicator coil is energized, the highly visible drum changes position and latches to the magnetic core. The drum will remain magnetically latched to the core in the position last pulsed. Even if the fault signal is removed, the indicator will “remember” that a fault had occurred.

### ELECTRICAL SPECIFICATIONS

Standard Coil Voltage and Resistance Values  
Resistance shown at room temperature.

Nominal Voltage (VDC)	3	5	12
Coil Resistance (Ohms)	5.34	14.6	81.3

**Dielectric Strength:** 100 VAC RMS

**Nom. Operating Pulse Power:** .900 watts

**Operating Pulse Length:** 50 milliseconds min.

**Reset Pulse Length:** 50 milliseconds min.

### MECHANICAL SPECIFICATIONS

**Coil Support:** Molded Ultem

**Mounting:** Four .025 square pins.

**Weight:** 1.2 grams

**Display Colors:** White, Yellow, Green, or Red

Other colors available upon request. Medical-grade ink used.

Transtech Type: RNT

### ENVIRONMENTAL SPECIFICATIONS

**Operating Temperature Range:** -40°C to +134°C

100% RH under 30 PSI.

**Operational Life:** 500,000 cycles

### ORDERING INFORMATION

When ordering, show model number first followed by the voltage range and then the set color and reset color. If this is a special part, customer's modification number will be added at the end of the ordering number.

**Example:** A basic model with a 5 volt source, yellow set color and a black reset color would be CI25-5-Y/BLK.

### CI 25 - 5 - Y/BLK - S

Basic Model Number	Coil Voltage	Fault or Set Color	Reset Color	Customer's Modification Number if Special
CI 25	3	BLK Black	BLK Black	S.+ ID No.
	5	G Green	G Green	
	12	R Red	R Red	
		W White	W White	
		Y Yellow	Y Yellow	

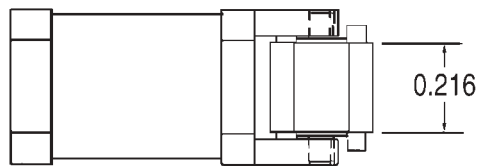


# Miniature On-Board Display Indicator

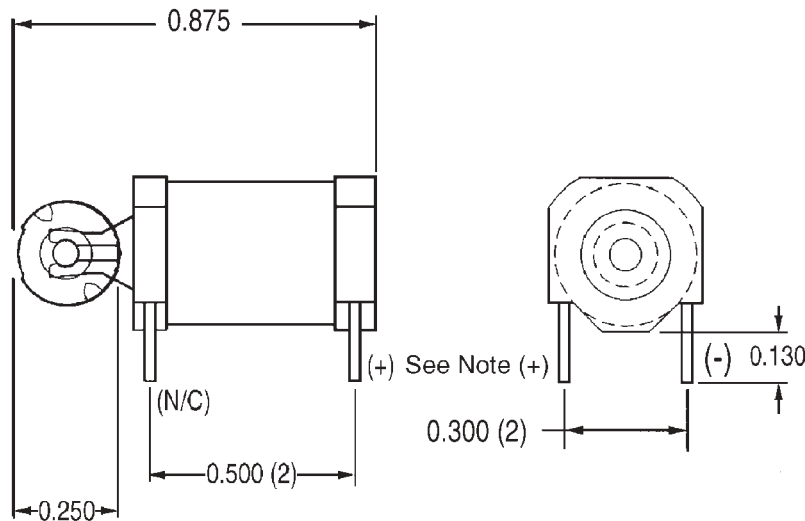
Model CI 25



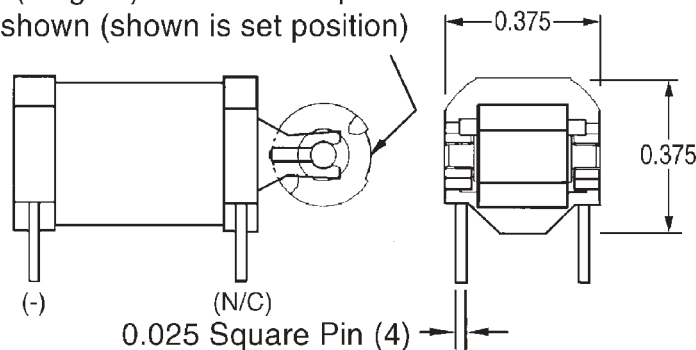
NOTE: Polarity shown for set position reverse polarity for reset.  
Dimensions are for reference.



Top



Rotor (magnet) All black except for  
area shown (shown is set position)



NOTE:  
Dimensions in ( ) are mm. Tolerances: Decimals:  $\pm .010$  (0,25) Fractions:  $\pm 1/64$