

**FEATURES AND CHARACTERISTICS**

- Electronic module in association with a contactor to provide Remote Controlled Circuit Breaker operation.
- Designed for direct mounting on bus bar contactors.
- Provide an I<sup>2</sup>t trip law, with accelerated trip time at currents higher than 10 In.
- No voltage drop in protected line.
- Trip status provided by an external low power circuit breaker, or by internal latching device.
- Weight: 80 grams ± 5%.
- Standard nominal current: 50, 100, 200, 300 Amps.
- Temperature range: -50°C To +85°C
- Custom units available.

**GENERAL ELECTRICAL SPECIFICATIONS**

<b>Supply voltage according to MIL Std 704</b>	16 to 32 Vdc
<b>Current supply at 28 Vdc</b>	35 mA max + contactor coil supply
<b>Cold weather supply voltage operation</b>	10.5 Vdc
<b>Low voltage protection by immediate trip</b>	< 9 V ± 10%
<b>Output current</b>	1 amp permanent 6 Amps inrush (30ms)
<b>Dielectric strength (All secondary terminal to ground)</b>	1000 Vdc
<b>Insulation resistance (All secondary terminal to ground)</b>	100 MΩ at 50 Vdc



**Leach International**  
www.leachintl.com

**North America**  
6900 Orangethorpe Ave.  
P.O. Box 5032  
Buena Park, CA 90622 USA

Tel: (01) 714-736-7599  
Fax: (01) 714-670-1145

**Europe, SA**  
2 Rue Goethe  
57430 Sarralbe  
France

Tel: (33) 3 87 97 98 97  
Fax: (33) 3 87 97 84 04

**Asia-Pacific Ltd.**  
20/F Shing Hing Commercial Bldg.  
21-27 Wing Kut Street  
Central, Hong Kong

Tel: (852) 2 191 2886  
Fax: (852) 2 389 5803

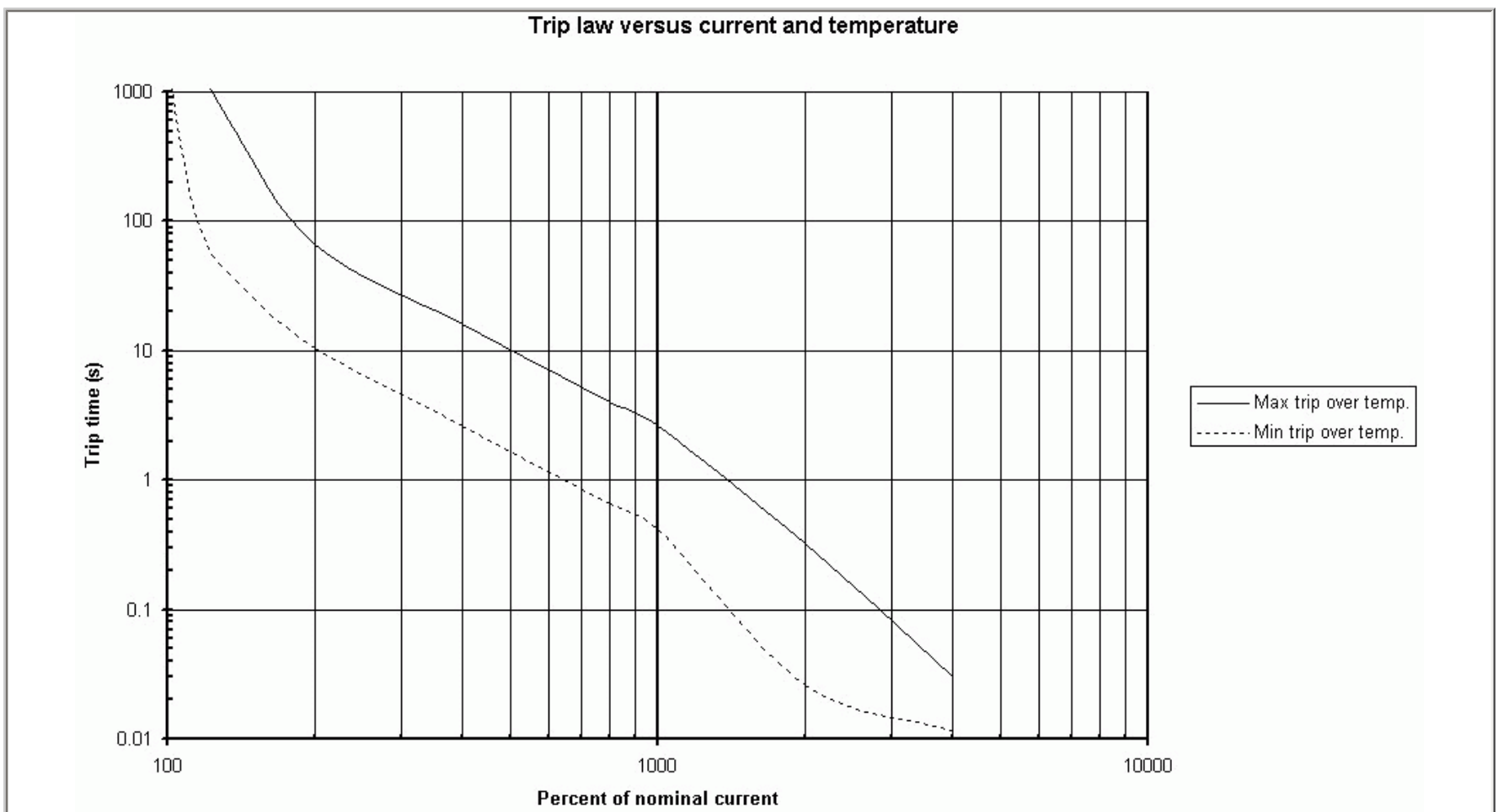
Data sheets are for initial product selection and comparison. Contact Leach International prior to choosing a component.

## ENVIRONMENTAL CONDITIONS

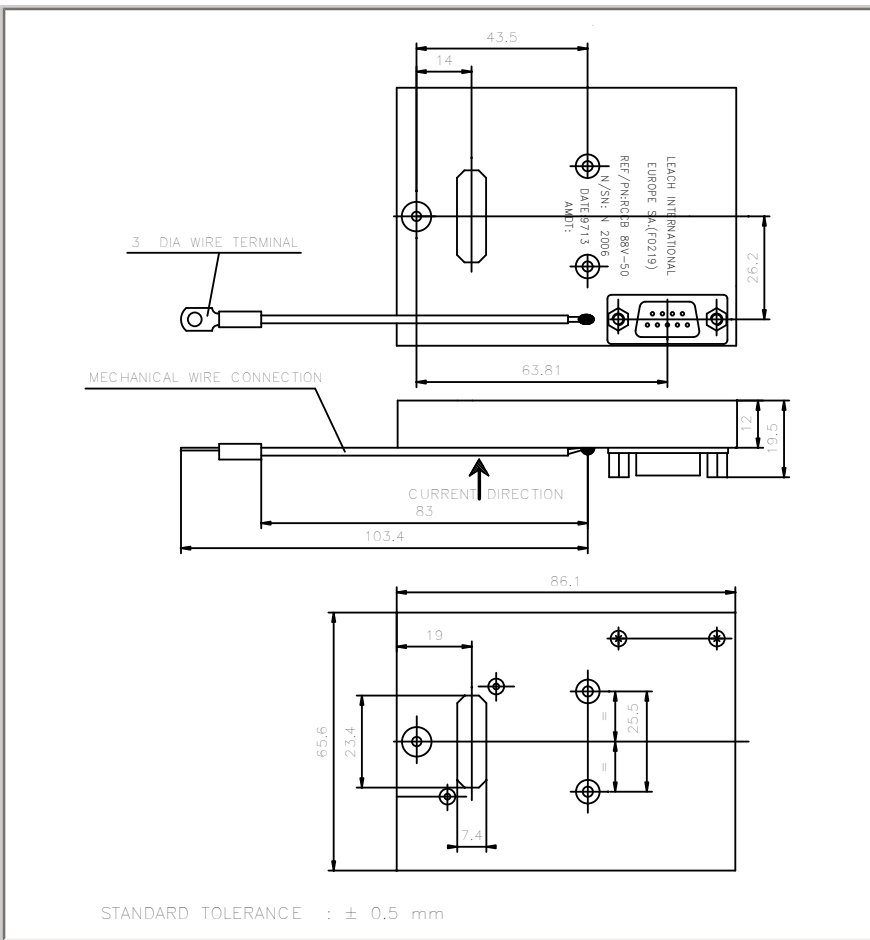
## SERIES CSHP

Vibrations - Sinusoidal per MIL Std 202 Method 204 : 20-2000 Hz - Random 10-2000 Hz	10 G 0.15 g <sup>2</sup> /Hz
Shock: Structure per MIL Std 202 method 213	30 G
Salt Spray: per MIL Std 202 method 101	96 H
Humidity: per MIL Std 202 method 106 - HR 95%	240H
Altitude	45000 ft max.
Voltage spikes: DO160 section 17 category A	
Audio frequency conducted susceptibility: DO160 section 18 category Z	
Induced signals: DO160 section 19 category Z	
Radio frequency: DO160 section 20 category W	
Lightning: DO160 section 22 category B2F2. (B4F4 with additional)	

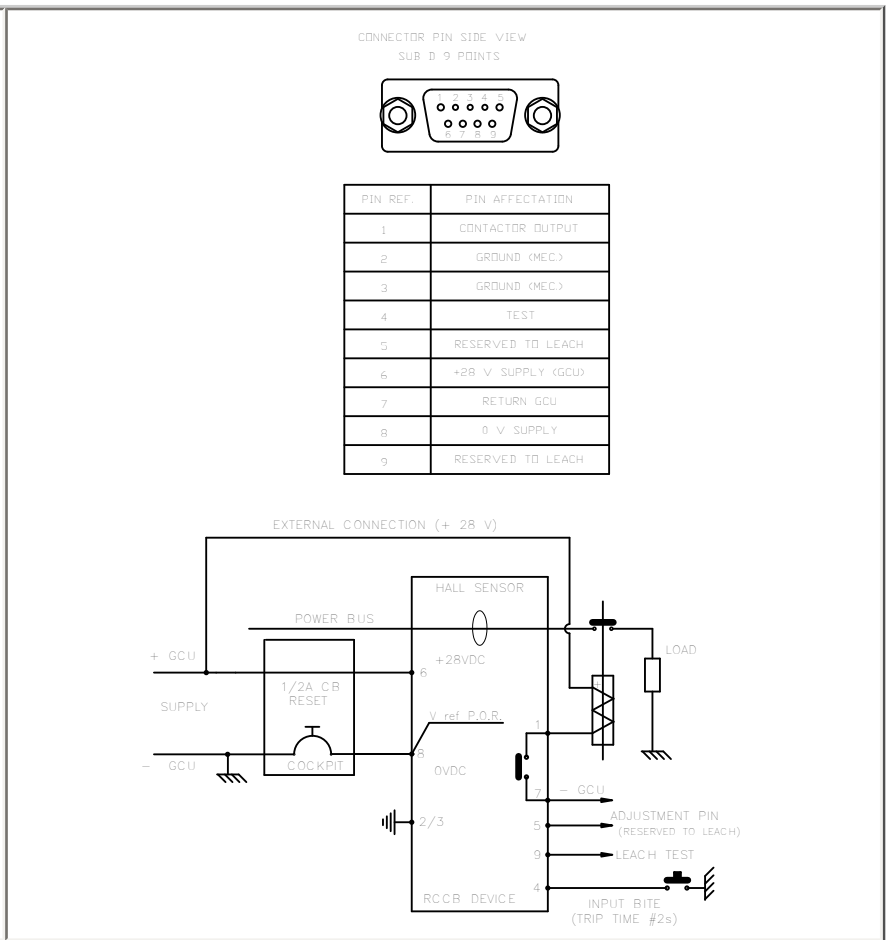
## TRIP CHARACTERISTICS



## MOUNTING



## SCHEMATIC AND WIRING DIAGRAM



## NUMBERING SYSTEM

CSHP XXX

|-----Nominal current in Amps (existing standard 50 and 75)

-----Basic family current sensor for protection