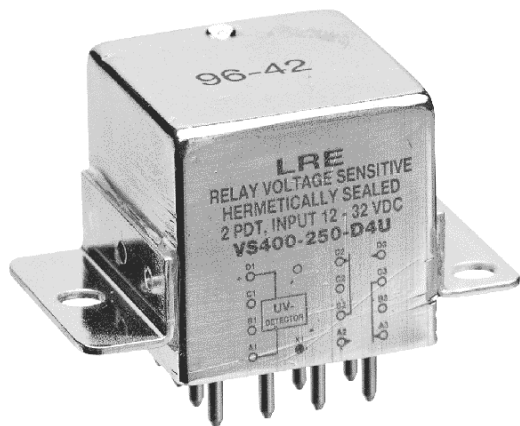


ENGINEERING DATA SHEET

VS400

UNDervOLTAGE SENSOR
2 PDT, 2 AMP



APPLICABLE SOCKET:
[SO-1048-8308/8518](http://www.leachintl.com/Products/Relays/Sockets/SO-1048-8308/8518)

Electronic Voltage sensing relay

Contact arrangement **2 PDT**
Power supply **28 Vdc**

PRINCIPLE TECHNICAL CHARACTERISTICS

Contacts rated at **2 Amps / 28 Vdc**
Weight **< 0.176lb**
Dimensions of case **1.73in x 1.01in x 1.02in max**

Hermetically sealed corrosion protected metal can

CONTACT ELECTRICAL CHARACTERISTICS

Minimum operating cycles	Contact rating per pole and load type	Load Current in Amps	
		@28Vdc	@115Vac/60-400Hz
100,000 cycles	resistive load	2	0.3
100,000 cycles	inductive load (L/R=5ms)	0.75	-
500,000 cycles	low level (30µA/30mV max)	-	-

NUMBERING SYSTEM

	VS400	XXX	-	XXX	-	A
Basic series designation	_____		_____		_____	
1-Pick up voltage (3 digits)	_____		_____		_____	
2-Drop out voltage (3 digits)	_____		_____		_____	
3-Mounting style and terminal types (A,B)	_____		_____		_____	



Leach International
www.leachintl.com

North America
6900 Orangethorpe Ave.
P.O. Box 5032
Buena Park, CA 90622 USA

Tel: (01) 714-736-7599
Fax: (01) 714-670-1145

Europe, SA
2 Rue Goethe
57430 Sarralbe
France

Tel: (33) 3 87 97 98 97
Fax: (33) 3 87 97 84 04

Asia-Pacific Ltd.
20/F Shing Hing Commercial Bldg.
21-27 Wing Kut Street
Central, Hong Kong

Tel: (852) 2 191 2886
Fax: (852) 2 389 5803

Data sheets are for initial product selection and comparison. Contact Leach International prior to choosing a component.

PICK UP AND DROP OUT VOLTAGE

VS400

The 3 digits express the value in tenth of volt.

Example: 175 = 175 X 0.1 V = 17.5 V

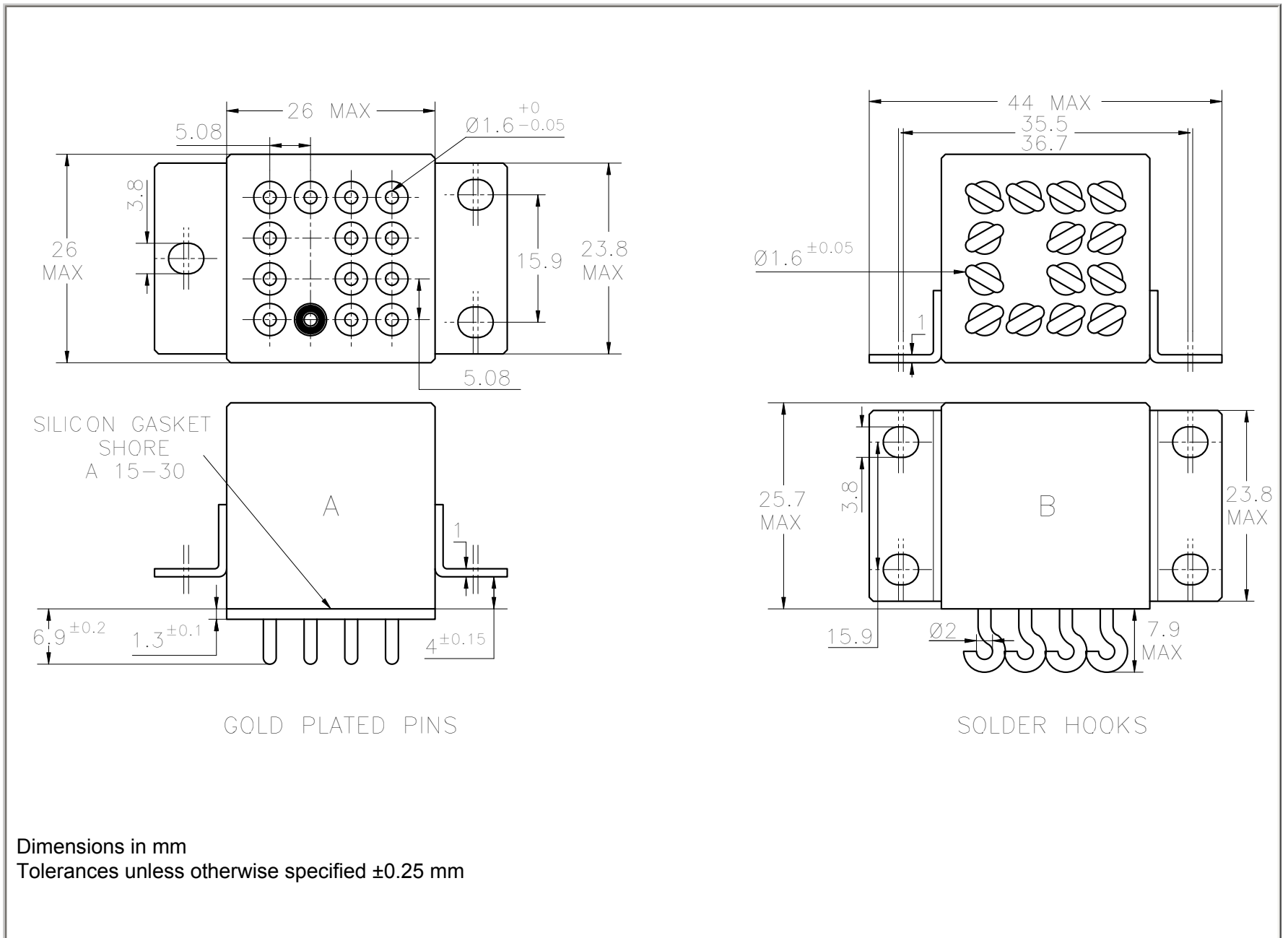
Pick up and drop out voltage have to be chosen within the limits given in the hereunder table.

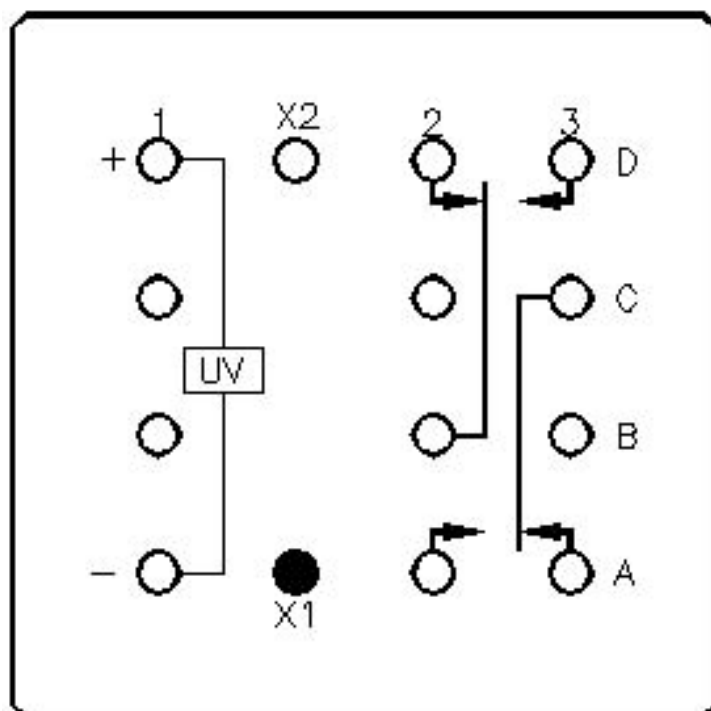
VOLTAGE SELECTION LIMITS TABLE

Vp max V pick up max	Vp min V pick up min	Vd min V drop out min	Vp-Vd Minimum delta
32 Vdc	19 Vdc	15 Vdc	0.5 Vdc

Accuracy of pick up and drop out current selected in the P/N shall be $\pm 5\%$ within the temperature range.

MOUNTING STYLES AND TERMINAL TYPES





UV : UNDERVOLTAGE DETECTOR

GENERAL CHARACTERISTICS

Storage temperature	- 65°C to + 125°C
Operating temperature	- 55°C to + 85°C
Operating voltage	18 to 32 Vdc (AIR norm 2021 E)
Current consumption	80 mA max
Dielectric strength at sea level	
- all pins connected together and can	1000 V / 50 Hz
- between open contacts	500 V / 50 Hz
Initial insulation resistance at 500 Vdc	greater than or equal to 100 M Ω
Sinusoidal vibration	15G / 70 to 3000 Hz
Shock	50G / 11 ms
Maximum contact opening time under vibration and shock	0.01 ms max
Undamaged against positive transients	+ 80 Vdc
Spike susceptibility	± 600 Vdc

NOTES

1. Relays with A mounting are compatible with socket families S 400, SF 400..
2. Isolation spacer pads for PCB mounting available on request.
3. For other mounting styles or terminal types, please contact the factory.

ENGINEERING DATA SHEET

SO-1048-8308/8518

RELAY SOCKET
12 AMP



BASIC SOCKET SERIES DESIGNATION FOR:

Series K

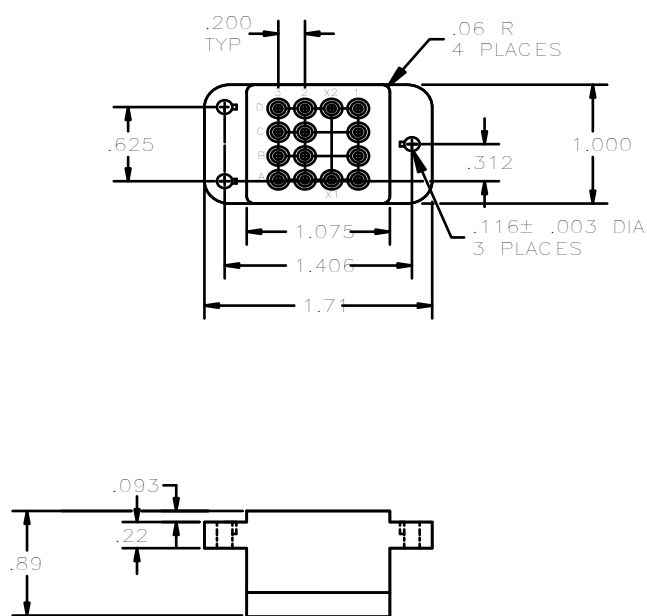
Series TDH-8070, TDH-8080

TDH-8050, TDH-8060, VS400

DESIGNED TO THE STANDARDS AND REQUIREMENTS OF:

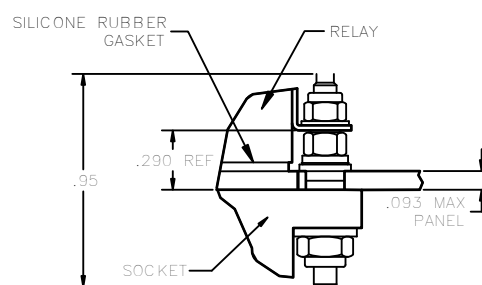
MIL-S-12883/40

SOCKET DRAWING

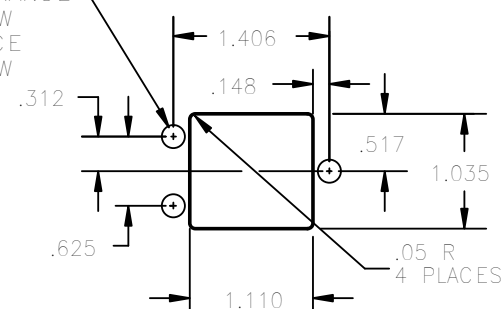


HARDWARE MOUNTING

MOUNTING DETAIL 3 PLACES



BOTTOM MOUNT-CLEARANCE HOLE FOR .192 SCREW TOP MOUNT-CLEARANCE HOLE FOR .112 SCREW



MOUNTING DIMENSIONS

GENERAL CHARACTERISTICS

1. Supplied with mounting hardware and No. 16 contacts, No. 16 crimp (SO-1048-8308); No. 16 contacts, No. 20 crimp (SO-1048-8518).

2. Standard tolerances

.xx ±.01; xxx ±.005

3. Weight

.115 lb. max

4. Temperature range

-70° C to +125° C



Leach International
www.leachintl.com

North America
6900 Orangethorpe Ave.
P.O. Box 5032
Buena Park, CA 90622 USA

Tel: (01) 714-736-7599
Fax: (01) 714-670-1145

Europe, SA
2 Rue Goethe
57430 Sarralbe
France

Tel: (33) 3 87 97 98 97
Fax: (33) 3 87 97 84 04

Asia-Pacific Ltd.
20/F Shing Hing Commercial Bldg.
21-27 Wing Kut Street
Central, Hong Kong

Tel: (852) 2 191 2886
Fax: (852) 2 389 5803

Data sheets are for initial product selection and comparison. Contact Leach International prior to choosing a component.