



Line Replaceable Contactor (LRC)

Balanced-Force design

Meets the standards and requirements of

**MIL-PRF-6106**

Contact arrangement

**3 PDT**

**PRINCIPLE TECHNICAL CHARACTERISTICS**

Contacts rated at

**28 Vdc and 115/200, 400Hz, 3Ø**

Weight

**2.37lbs max**

Dimensions

**3.63 in. x 3.63 in. x 3.70 in.**

Special units available upon request, including models with auxiliary contacts and center-off contact arrangement.

**CONTACT ELECTRICAL CHARACTERISTICS**

Contact rating per pole and load type	Load current in Amps
	<b>115/200 Vac, 400 Hz, 3Ø</b>
Resistive	100
Inductive	100
Motor	65



**Leach International**  
www.leachintl.com

**North America**  
6900 Orangethorpe Ave.  
P.O. Box 5032  
Buena Park, CA 90622 USA

Tel: (01) 714-736-7599  
Fax: (01) 714-670-1145

**Europe, SA**  
2 Rue Goethe  
57430 Sarralbe  
France

Tel: (33) 3 87 97 98 97  
Fax: (33) 3 87 97 84 04

**Asia-Pacific Ltd.**  
20/F Shing Hing Commercial Bldg.  
21-27 Wing Kut Street  
Central, Hong Kong

Tel: (852) 2 191 2886  
Fax: (852) 2 389 5803

Data sheets are for initial product selection and comparison. Contact Leach International prior to choosing a component.

**COIL CHARACTERISTICS (Vdc)****SERIES Z-X9YN**

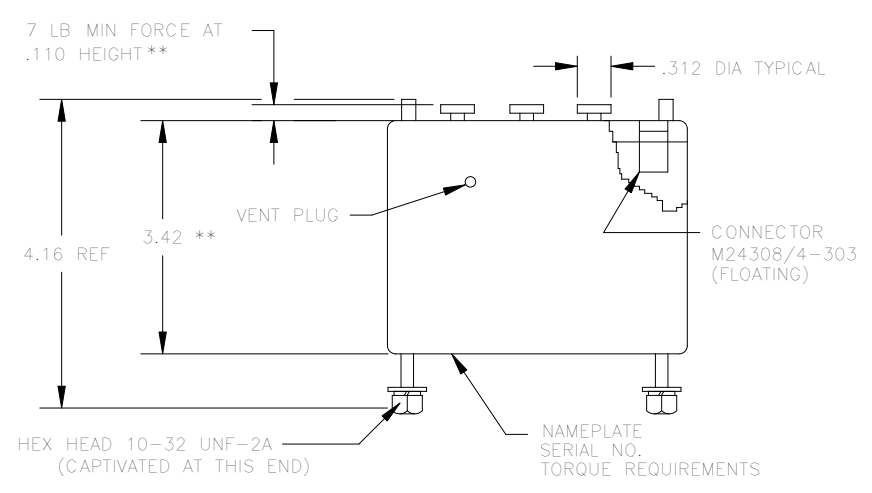
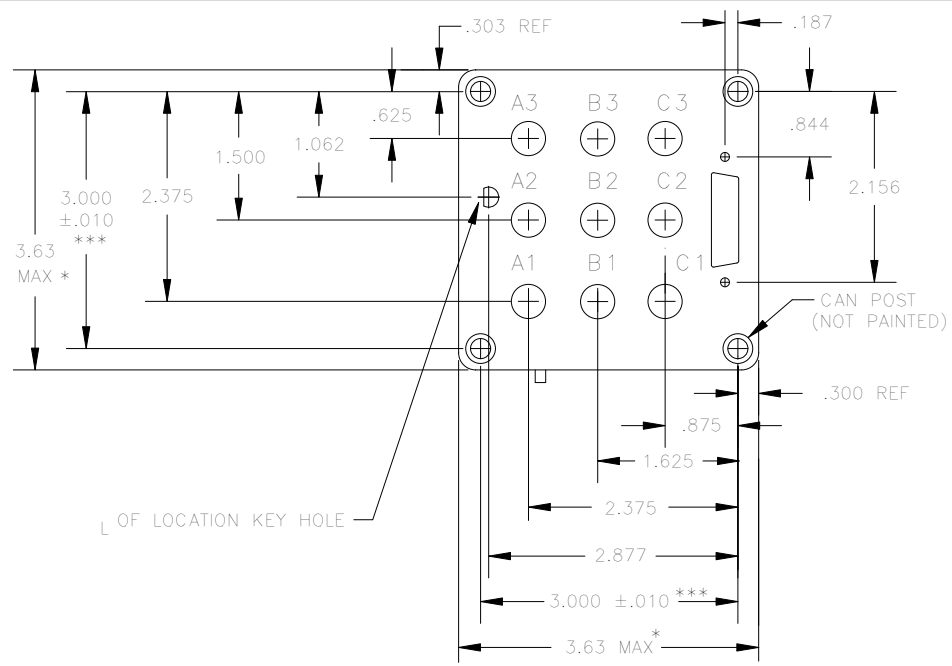
Nominal operating voltage	28 Vdc
Pick-up voltage	18 Vdc
Drop-out voltage	1.5 to 7 Vdc
Maximum pick-up time	50 ms
Maximum drop-out time	20 ms at 28 Vdc
Maximum pick-up current	4 Amp (shall not trip a 5 Amp circuit breaker)
Maximum hold current at 28 Vdc	.27 Amp
Minimum hold voltage	10 Vdc
Coil transient suppression	+/- 45 V max

**GENERAL CHARACTERISTICS**

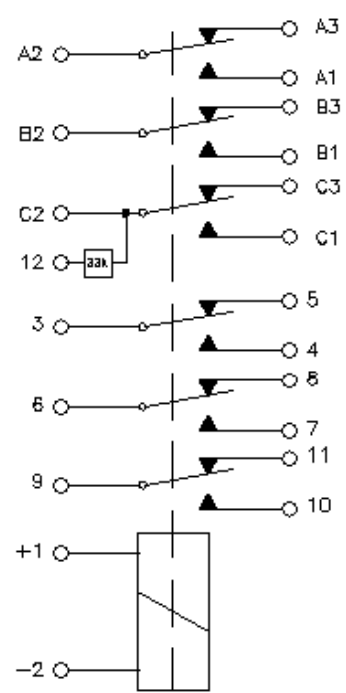
Contact Data	Main Contacts	Aux Contacts
-Configuration	3PDT	3X 1PDT
-Supply voltage	115/200 Vac	28 Vdc
-Continuous current	100 Amp at .65PF	5 Amp resistive
-Rupture current	1000 Amp	-
-Overload	400 Amp	-
-Maximum contact bounce	3 ms	5 ms
-Simultaneous operation	5 ms	5 ms
Electrical life		
-At 45,000 ft	25,000 operations	
-At ambient pressure	25,000 operations	
Mechanical life	100,000 operations	
Altitude	45,000 ft	
Continuous operating temperature range	-15°C to +65°C	

**NUMBERING SYSTEM**

	Z-X9YN - XXX
Basic series designation_____	
Customer configuration_____	



SCHEMATIC



100 A LINE CONTACTOR ELECTRICAL SCHEMATIC