

A COMPANY OF STPI GROUP

BSE210 & BSEL210 Military Specified

Meets MIL-DTL-12883

General Characteristics

Weight:

0.045 lbs (20.41g) Max.

Body Material:

Polyetherimide

Grommet Material:

Silicone Rubber

Bracket Material:

17-7 ph cres passivated in accordance with SAE AMS QQ-P-35.

Plating:

Sulfamate nickel in accordance with SAE-AMS-QQ-N-290, 100 μ in. min.

Maximum Holding Force:

3 Lbs (13.34 N)

Terminal/ground pins:

Use M39029/57-354 for 22 gage (.031) terminal/ground pins.

Use M39029/57-358 for 16 gage (.062) terminal pins.

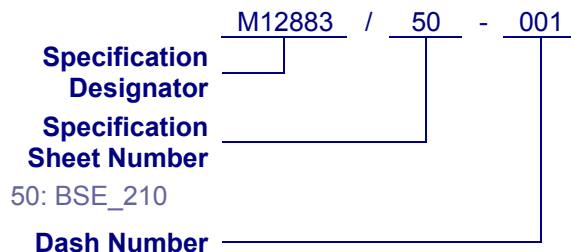
Note: Neither contact is furnished with the socket module.

Environmental Characteristics

Temperature Range:

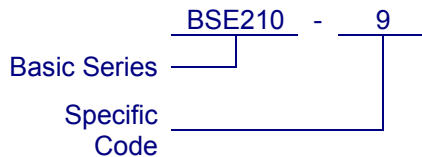
-70°C to +125°C

Military Part Numbering



See Charts

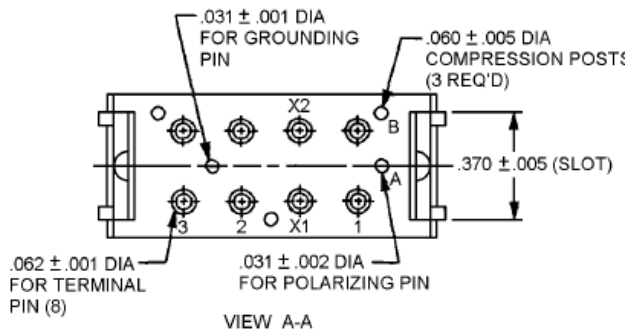
QPL Part Numbering



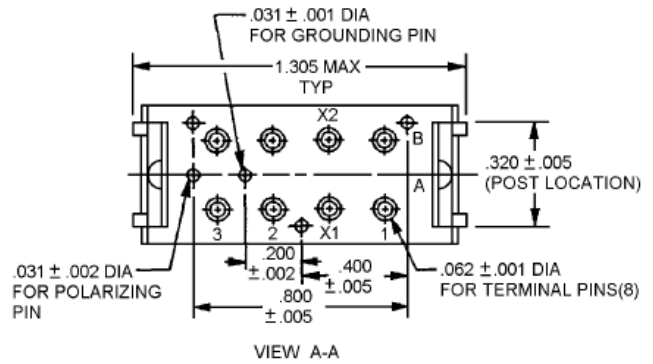
Dash Numbers – Specification Sheet Number 50

Dash Number	Basic Series	Specific Code	Body Type	Mating Relay
001	BSE210	9	A	M83536/11-012
002	BSE210	8	B	M83536/10-028
003	BSEL210	2	C	M83536/13-010

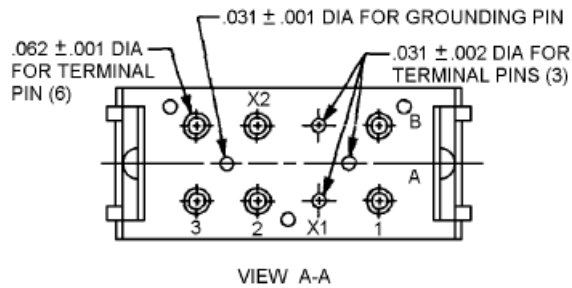
Terminal Layout



Body Style A



Body Style B



Body Style C

Body Layout

