

General characteristics

E310

No. of poles	3 Form C (3PDT)
Volume	6.9 cm ³ [.42 in ³]
Mass	28.2 grams [.062 lb. Max]

Switching characteristics

Operate time @ 25° C	6 ms max.
Release time @ 25° C	6 ms max.
Bounce time	1 ms max.
Mechanical Life	400,000 cycles

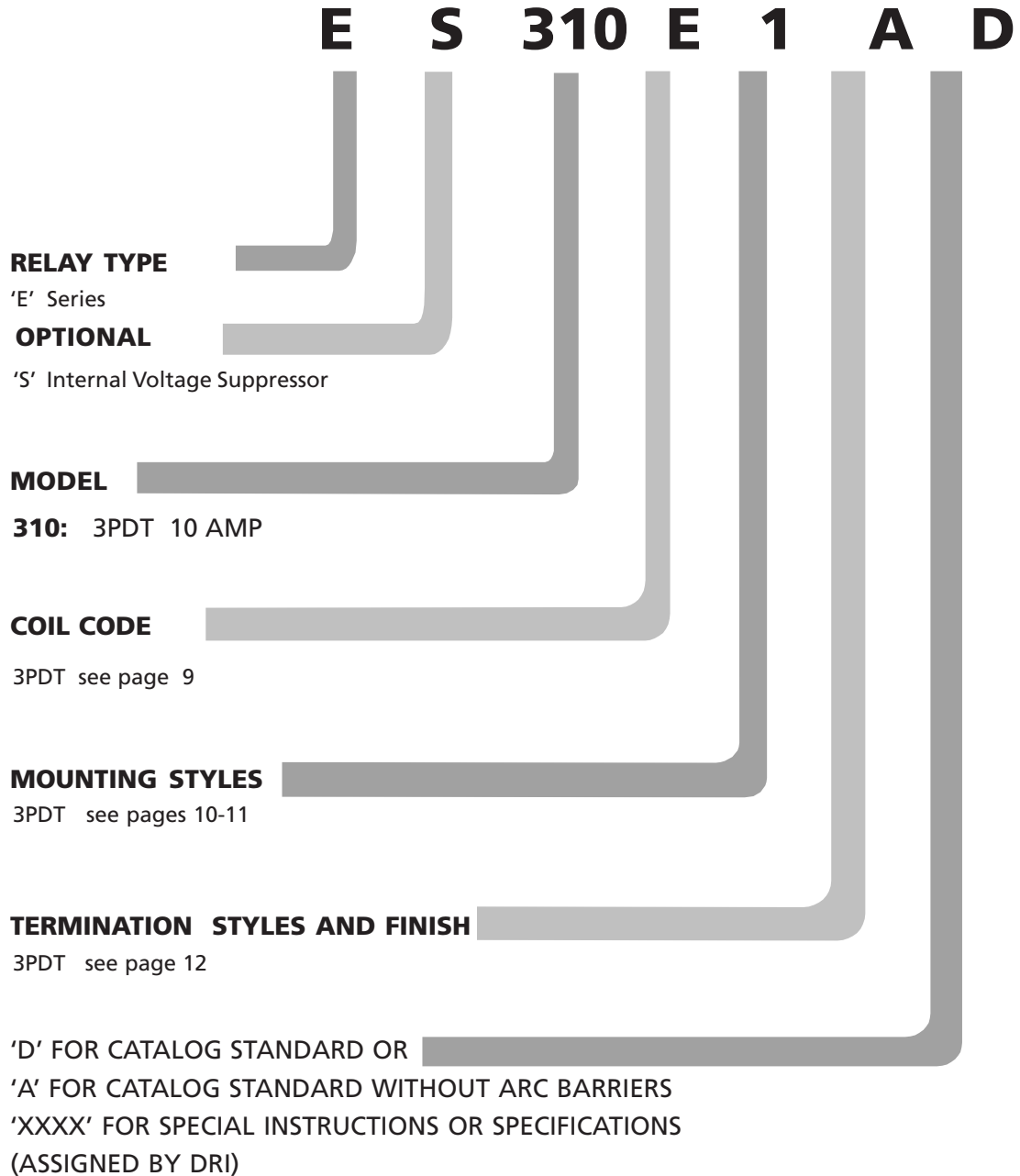
Contact rating	Type of load (High level)	Cycles x 10 ³	28 Vdc	115 Vac	115/200 Vac
				400 Hz 1 phase	400 Hz 3 phase
Resistive	50	10 amps	10 amps	10 amps	
Inductive	10	6 amps	n/a	n/a	
Inductive	20	n/a	8 amps	8 amps	
Motor	50	4 amps	4 amps	4 amps	
Lamp	50	2 amps	2 amps	n/a	
Overload current	n/a	30 amps	60 amps	60 amps	
Rupture current	n/a	40 amps	80 amps	80 amps	

Environmental characteristics

Temperature Range	-70°C to +125°C
Vibration (Sinusoidal)	30 g 10-3000 Hz
- Mounting style 3	20 g 57-3000 Hz
- Mounting Style 4 Track Mount	20 g 500-3000 Hz
- Mounting Style 4 Track Mount	10 g 55-500 Hz
- Mounting Style 4 Track Mount	0.06 in DA 10 -55 Hz
Shock, any axis	200 g 6 ms
- Mounting style 3	100 g 6 ms
Seal	Hermetic (1 x 10 ⁻⁸ atm cm ³ /s)

Electrical characteristics

Contact voltage drop (@ Rated resistive load)	
- Initial	150 mV Max.
- After guaranteed life	175 mV Max.
Dielectric strength @ sea level	Coil to Case All other points
- Initial @ 60 Hz	1000 Vrms 1250 Vrms
- After life test @ 60 Hz	750 Vrms 1000 Vrms
Insulation Resistance	
- Initial	100 Megohms min. @ 500 Vdc
- After life tests	50 Megohms min. @ 500 Vdc
Reference Military Specifications	MIL-PRF-83536

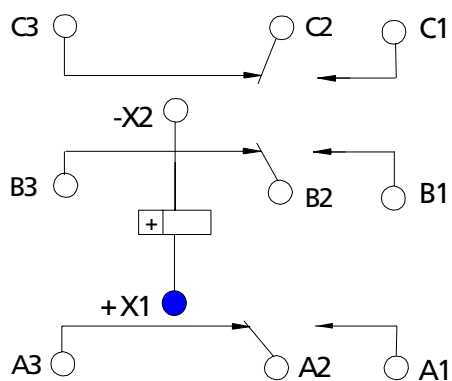


Coil Characteristics

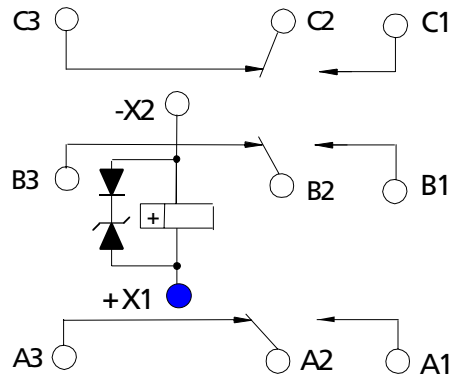
COIL CODE	DC				
	A	B	D	E	G
Nominal coil voltage	6	12	26.5	28	48
Maximum pick-up voltage at 25°C	3.3	6.6	13.5	13.5	24
Maximum pick-up voltage at 125°C	4.5	9	18	18	36
Maximum hold voltage at 125°C	2.3	4.5	7	7	14
Minimum drop-out voltage at -70°C	0.25	0.5	1.5	1.5	2.4
Coil resistance (ohms ± 10% at 25° C)	18	72	350	400	1150
Max coil transient suppression	42	42	42	42	100

OTHER VOLTAGES AVAILABLE FROM FACTORY ON REQUEST

Circuit Diagram



E310



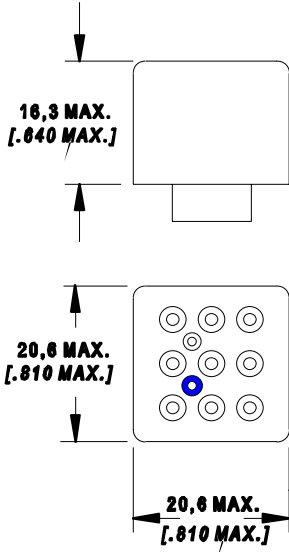
ES310

OPTIONAL INTERNAL
VOLTAGE SUPPRESSOR

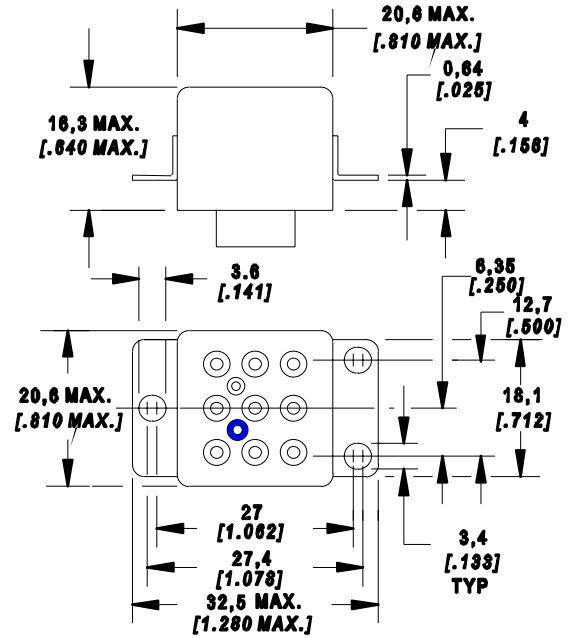
E310 Technical Characteristics

Mounting styles

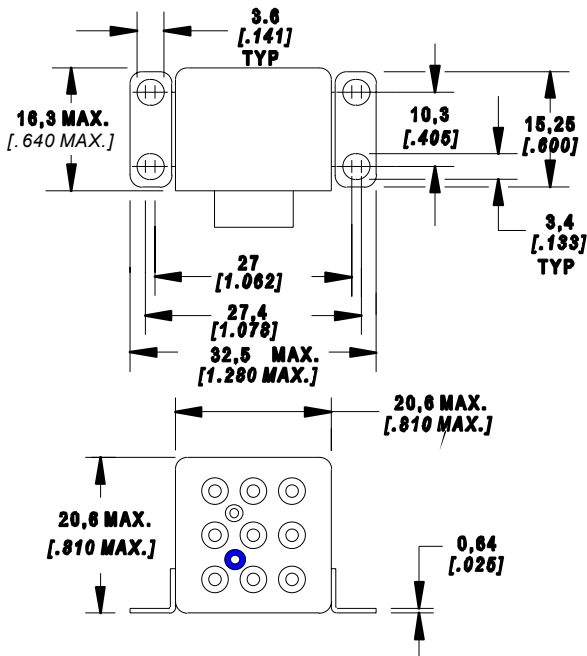
DIMENSIONS ARE IN MM (IN.)
UNLESS OTHERWISE SPECIFIED, TOLERANCE IS $\pm 0,25$ [.010]



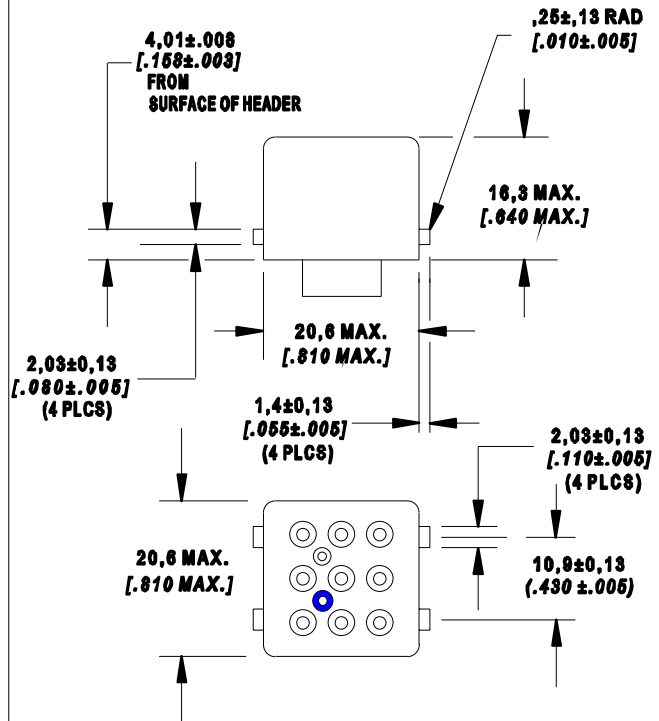
STYLE 1
NO MOUNT



STYLE 2
RAISED VERTICAL FLANGE MOUNT



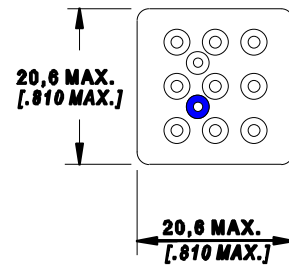
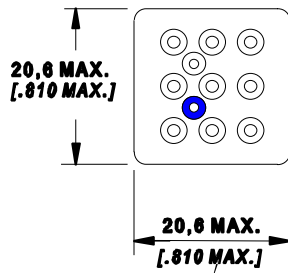
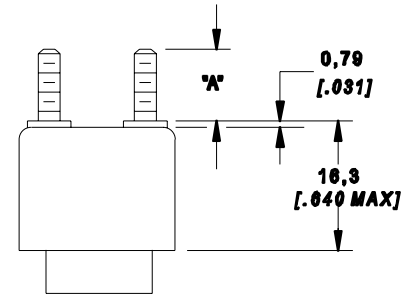
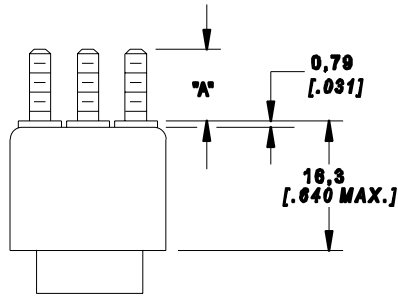
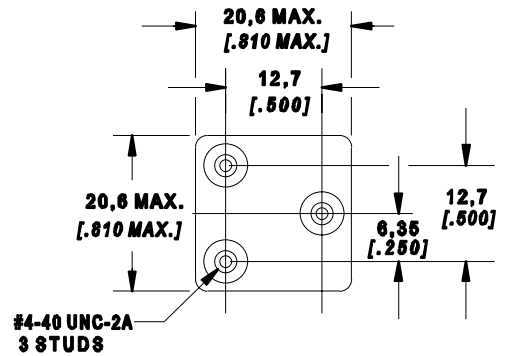
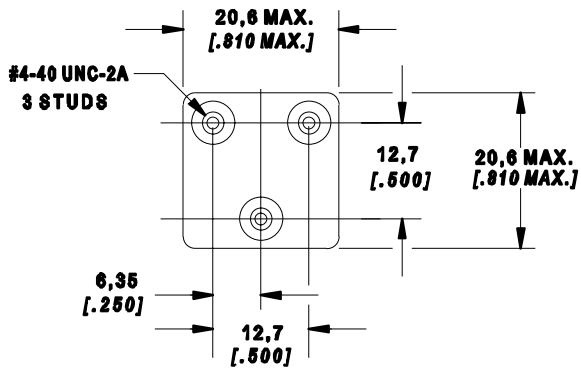
STYLE 3
HORIZONTAL FLANGE MOUNT



STYLE 4
TRACK MOUNT A

■ Mounting styles [cont'd.]

DIMENSIONS ARE IN MM (IN.)
UNLESS OTHERWISE SPECIFIED, TOLERANCE IS $\pm 0,25$ [.010]



TOP STUD MOUNT

TOP STUD MOUNT

STYLE	DIM "A"
M	9,5 (.375)
R	6,35 (.250)

STYLE	DIM "A"
T	9,5 (.375)
U	6,35 (.250)

Termination styles

DIMENSIONS ARE IN MM (IN.)
UNLESS OTHERWISE SPECIFIED, TOLERANCE IS $\pm 0,25$ [.010]

