

- THE REB TIME DELAY RELAY HAS A 3PDT CONTACT ARRANGEMENT AND IS RATED FOR 25 AMPS.
- HERMETICALLY SEALED, NON-CORROSIVE
- TIME DELAY FROM 0.1 TO 500 SECONDS
- TIMING ACCURACY OF ±3%, ±5% AND ±10% OVER SPECIFIED TEMPERATURE RANGE AVAILABLE
- MATING SOCKETS AVAILABLE

■ General characteristics

REB325

No. of poles	3 Form C
Volume	26.2 cm ³ [1.6 in ³]
Mass	99.8 grams [.22 lb. Max]
Mechanical Life	400,000 cycles

■ Switching characteristics

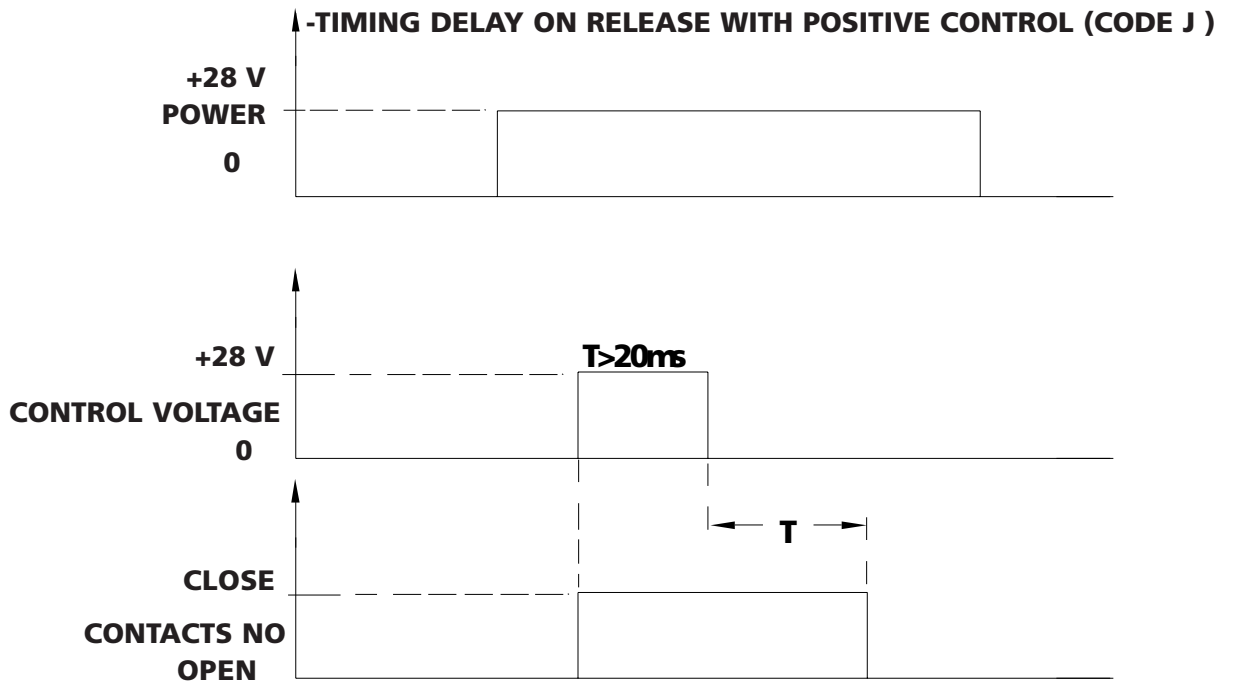
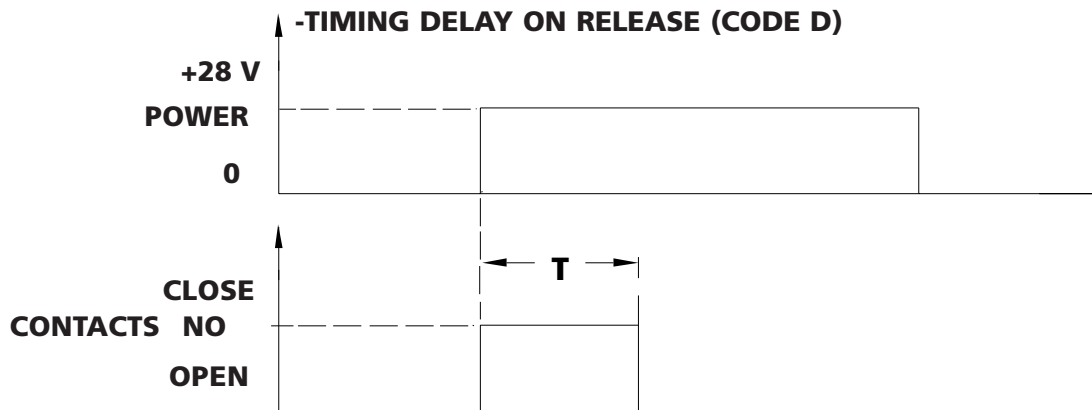
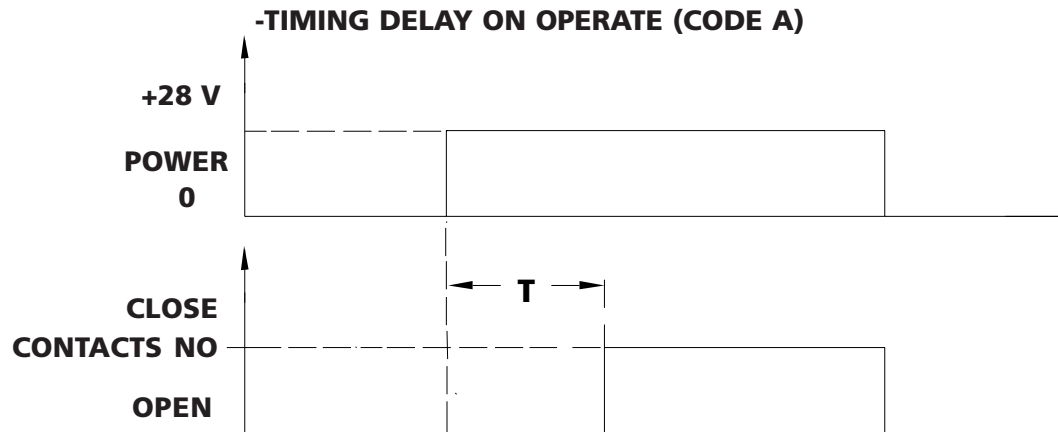
Contact rating	Type of load (High level)	cycles x 10 ³	28 Vdc	115 Vac 400 Hz 1 phase
	Resistive		50	25 amps
Inductive		10	12 amps	15 amps
Motor		50	10 amps	10 amps
Lamp		50	5 amps	5 amps
Overload current		N/A	50 amps	80 amps
Rupture current		N/A	60 amps	100 amps

■ Environmental characteristics

Temperature Range	-55°C to +125°C
Vibration (Sinusoidal)	30 g 10-3000 Hz
Shock, any axis	100 g 6 ms
Seal	Hermetic (1 x 10 ⁻⁸ atm cm ³ /s)

■ Electrical characteristics

Contact voltage drop (@ Rated resistive load)	
- Initial	150 mV Max.
- After guaranteed life	175 mV Max.
Dielectric strength @ sea level	Coil to Case All other points
- Initial @ 60 Hz	1000 Vrms 1000 Vrms
Insulation Resistance	1000 Megohms min. @ 500 Vdc
Reference Military Specifications	MIL-PRF-83726



REBC 325 A- 1000 C B

RELAY TYPE

REB TIME DELAY

MODEL

325: 3PDT 25 AMPS

TYPE OF OPERATION

- A: DELAY ON OPERATE, FIXED
- D: DELAY ON RELEASED, FIXED
- J: DELAY ON RELEASE, FIXED WITH POSITIVE CONTROL

TIMING CODE

- 1000 = 100ms = 0.1s
- 1001 = 1000ms = 1s
- 1002 = 10000 ms = 10s
- 1003 = 100000 ms = 100s

ACCURACY/TEMP. RANGE

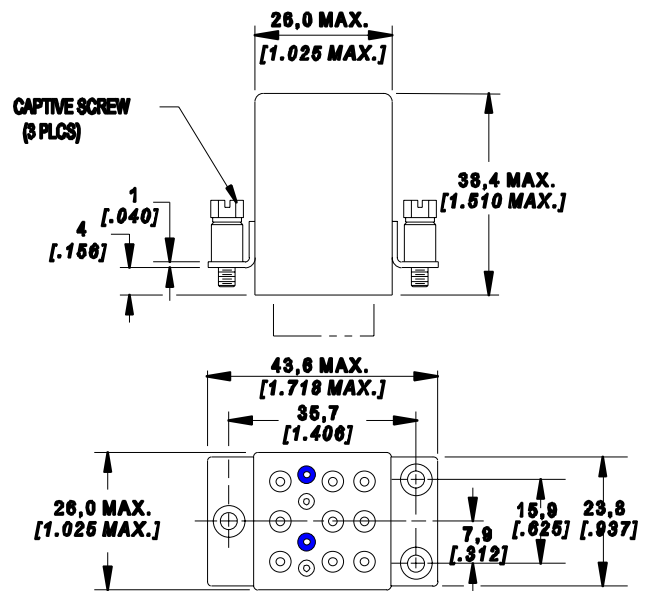
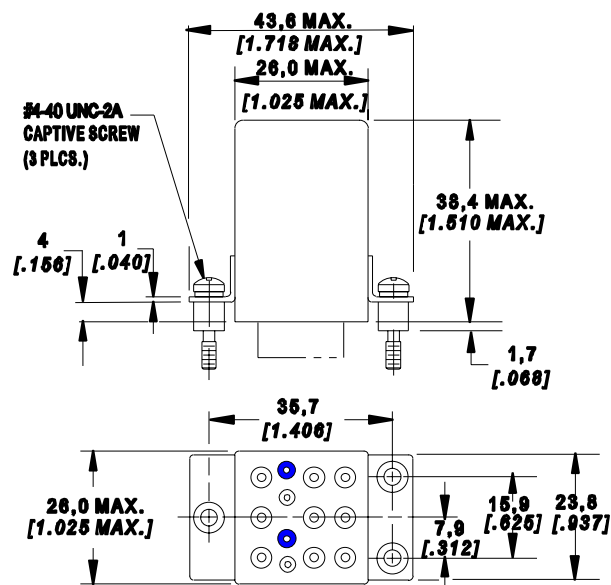
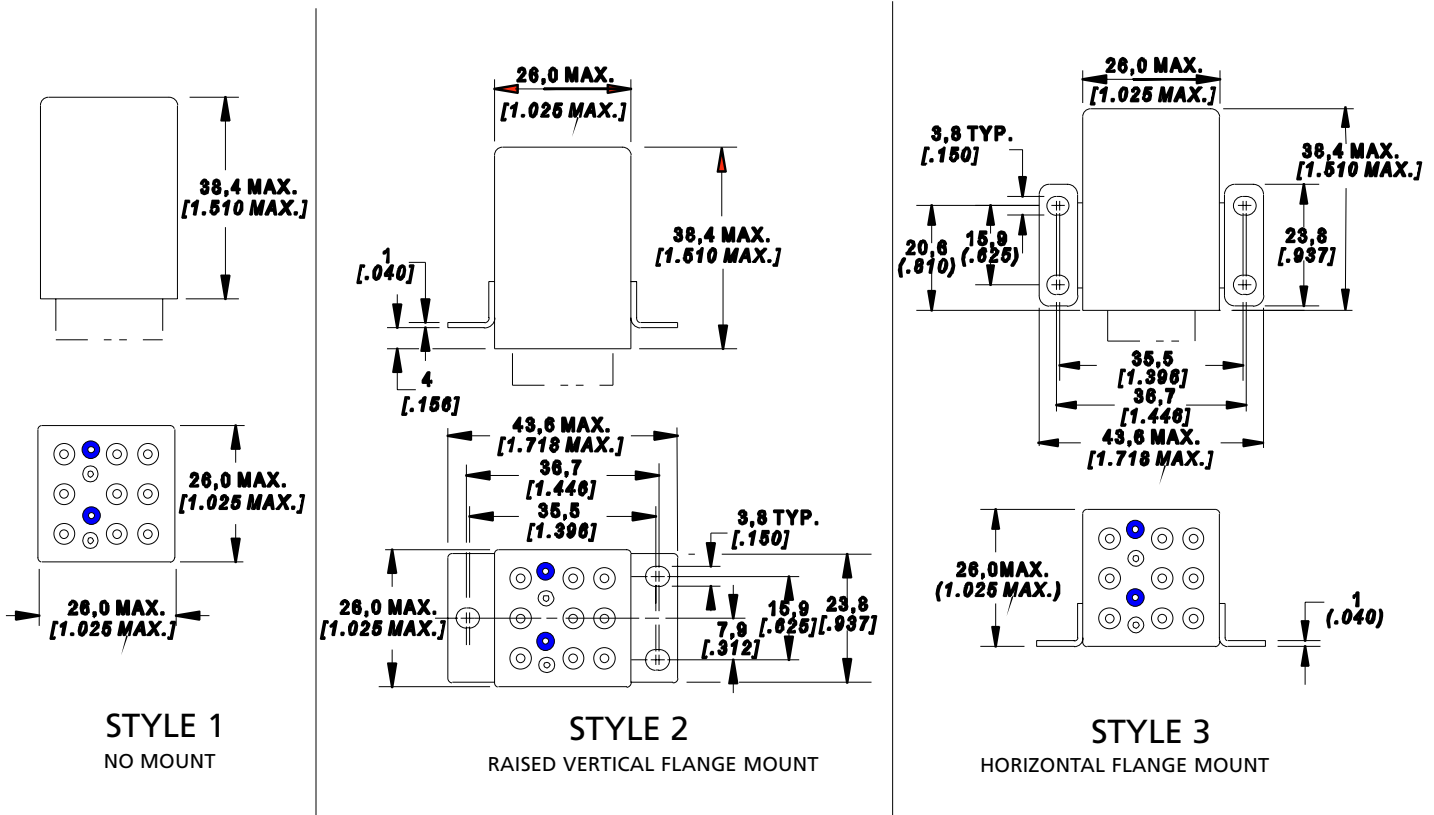
CLASSES	ACCURACY	TEMP. RANGE
B:	±10%	-40°C TO +85°C
C:	±10%	-55°C TO +125°C
E:	±5%	-40°C TO +85°C
F:	±5%	-55°C TO +125°C
H:	±3%	-40°C TO +85°C

MOUNTING & TERMINAL STYLES

A:	1	E
B:	2	B
F:	2	A
G:	3	A
K:	8	B
M:	C	B
N:	G	B
P:	1	A

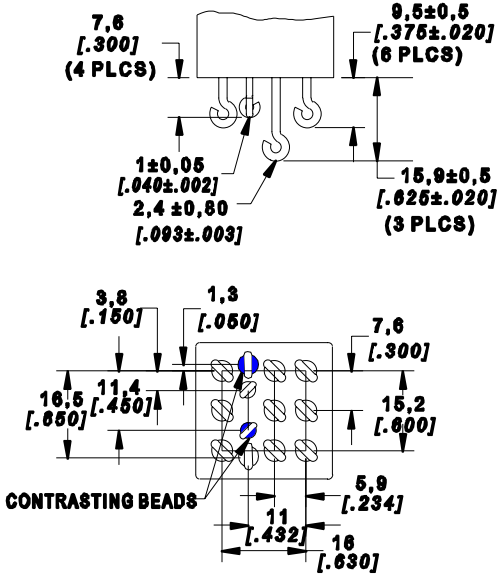
Mounting styles

DIMENSIONS ARE IN MM (IN.)
UNLESS OTHERWISE SPECIFIED, TOLERANCE IS $\pm 0,25$ [.010]

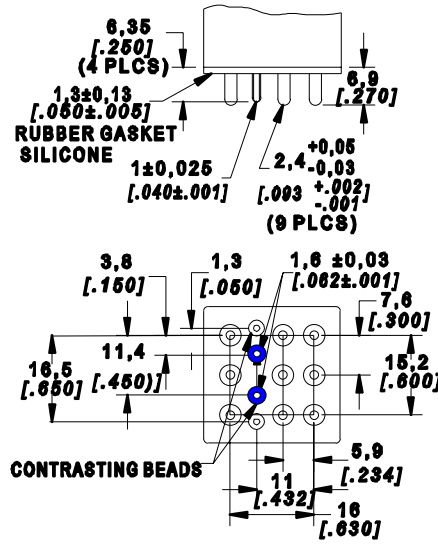


Termination styles

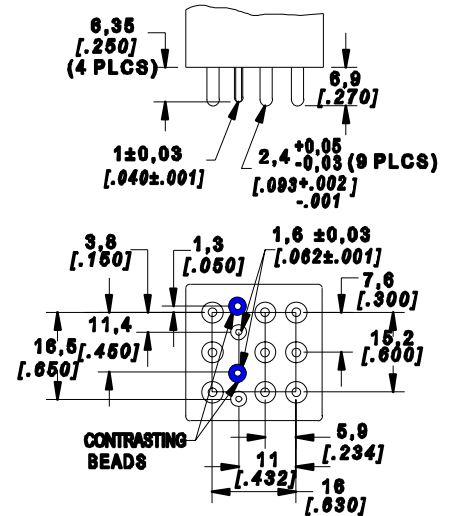
DIMENSIONS ARE IN MM (IN.)
UNLESS OTHERWISE SPECIFIED, TOLERANCE IS $\pm 0,25$ [.010]



STYLE A
SOLDER HOOKS

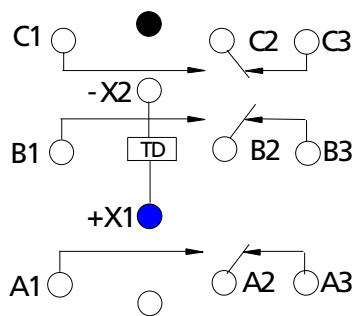


STYLE B
GOLD PLATED PINS WITH GASKET

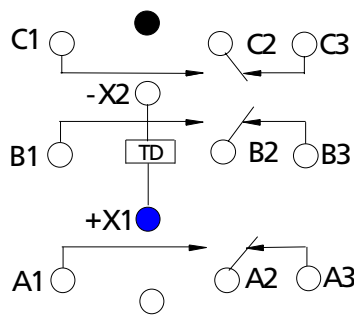


STYLE E
TINNED PINS

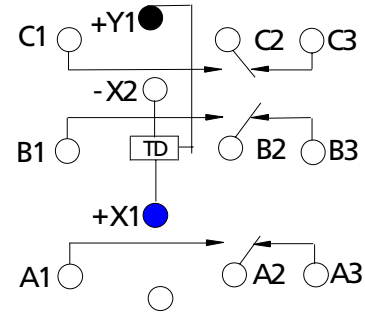
Circuit Diagram



DELAY ON OPERATE,
FIXED (CODE A)



DELAY ON RELEASE,
FIXED (CODE D)



DELAY ON RELEASE,
FIXED WITH POSITIVE
CONTROL (CODE J)