

A COMPANY OF STPI GROUP

SE405 & SEL405

Military Specified

Meets MIL-DTL-12883

General Characteristics

| | |
|--------------------------|---|
| Weight: | 0.055 lbs (25g) Max. |
| Grommet: | Silicone Rubber |
| Mounting Hardware: | Stainless Steel or Cadmium Plated |
| Socket Contact Material: | Gold Plated Copper Alloy |
| Socket Contact Type: | Closed Entry, Crimp Type, Rear Entry and Release |

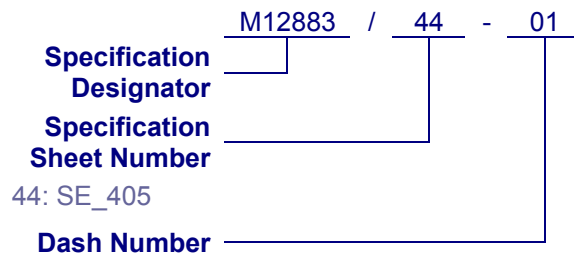
Environmental Characteristics

| | |
|-------------------------|-----------------|
| Temperature Range: | -70°C to +125°C |
| Vibration (Sinusoidal): | 30g 10-3,000 Hz |
| Shock (any axis): | 200g, 6 ms |

Electrical Characteristics

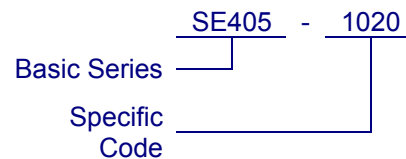
| | |
|------------------------|-----------------|
| Contact Resistance: | 6 MΩ |
| Dielectric Strength | |
| At Sea Level: | 1,000 Vrms Max. |
| At 80,000 feet: | 500 Vrms |
| Insulation Resistance: | 1,000 MΩ Min |

Military Part Numbering



See Chart

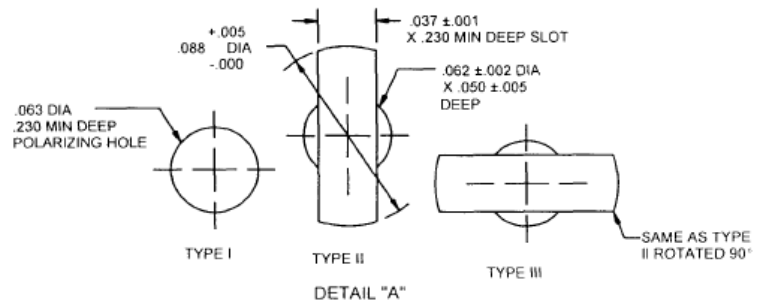
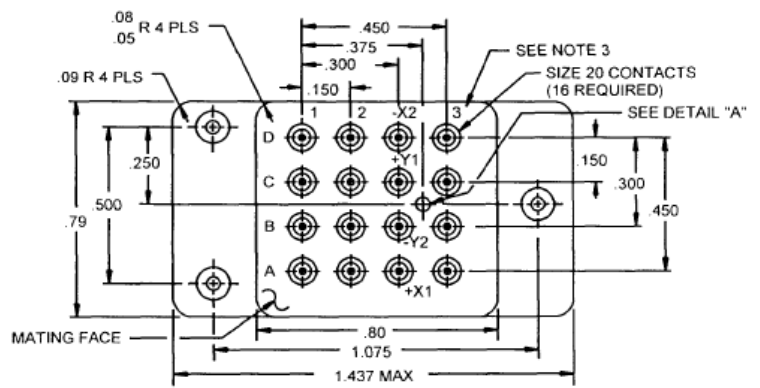
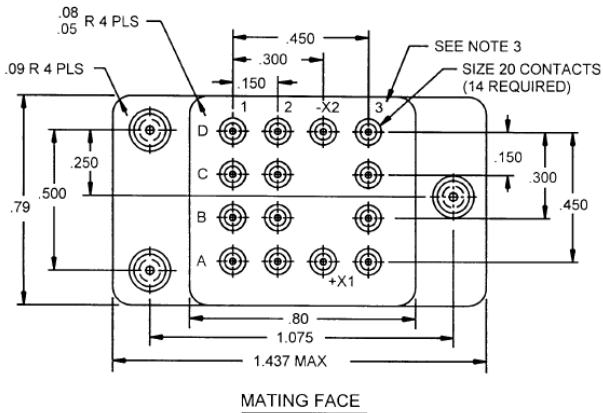
QPL Part Numbering



Dash Numbers – Specification Sheet Number 44

| Dash Number | Basic Series | Specific Code | Body Type | Stud Type | Hardware Type | Number of Contacts | Contact Size (AWG) |
|-------------|--------------|---------------|-----------|-----------|-----------------|--------------------|--------------------|
| 01 | SE405 | 1020 | A | Fixed | Cadmium Plated | 14 | 20 |
| 01S | SE405 | 1020S | A | Fixed | Stainless Steel | 16 | 20 |
| 02 | SEL405 | 1021 | B-I | Fixed | Cadmium Plated | 16 | 20 |
| 02S | SEL405 | 1021S | B-I | Fixed | Stainless Steel | 16 | 20 |
| 03 | SEL405 | 1022 | B-II | Fixed | Cadmium Plated | 16 | 20 |
| 03S | SEL405 | 1022S | B-II | Fixed | Stainless Steel | 16 | 20 |
| 04 | SEL405 | 1023 | B-III | Fixed | Cadmium Plated | 16 | 20 |
| 04S | SEL405 | 1023S | B-III | Fixed | Stainless Steel | 16 | 20 |

Terminal Layout



Body Style A

Body Style B

Body Layout

