



A COMPANY OF STPI GROUP

SE610

Military Specified

Meets MIL-DTL-12883

General Characteristics

Weight:	0.176 lbs (80g) Max.
Grommet:	Silicone Rubber
Mounting Hardware:	Stainless Steel or Cadmium Plated
Socket Contact Material:	Gold Plated Copper Alloy
Socket Contact Type:	Closed Entry, Crimp Type, Rear Entry and Release

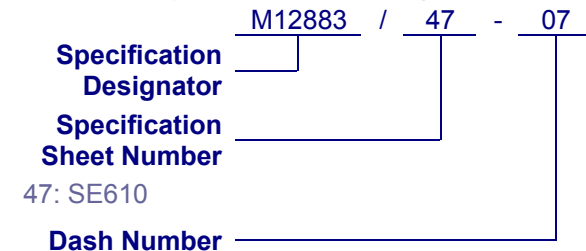
Environmental Characteristics

Temperature Range:	-70°C to +125°C
Vibration (Sinusoidal):	30g 10-3,000 Hz
Shock (any axis):	200g, 6 ms

Electrical Characteristics

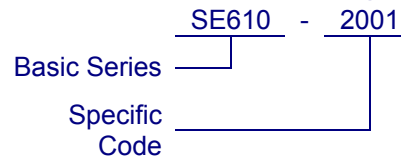
Contact Resistance:	6 MΩ
Dielectric Strength	
At Sea Level:	1,500 Vrms Max.
At 80,000 feet:	500 Vrms
Insulation Resistance:	1,000 MΩ Min

Military Part Numbering



See Charts

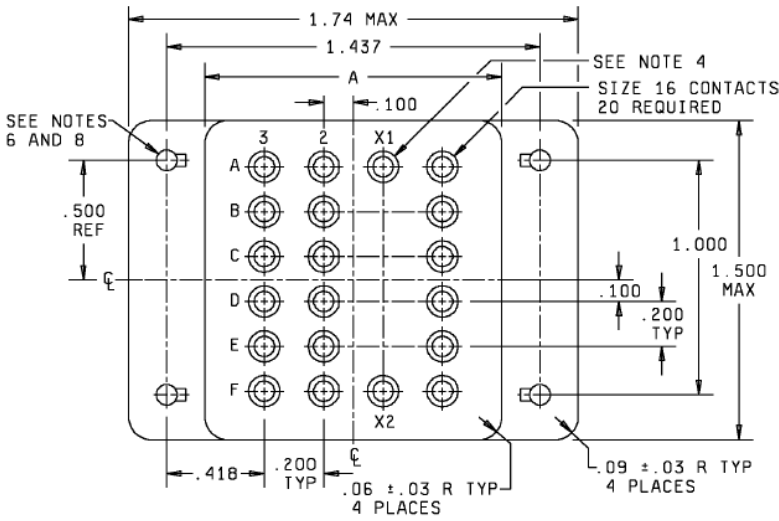
QPL Part Numbering



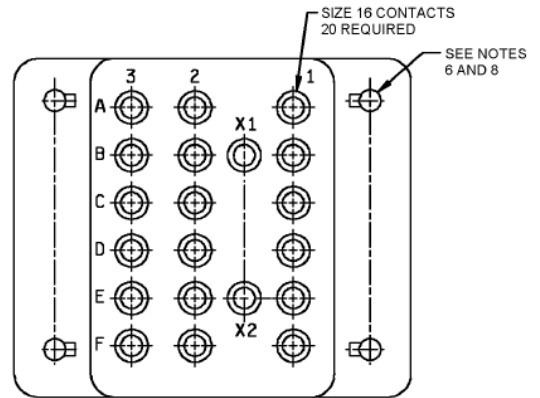
Dash Numbers – Specification Sheet Number 40

Dash Number	Basic Series	Specific Code	Body Type	Stud Type	Hardware Type	Number of Contacts	Contact Size (AWG)
07	SE610	2001	A	Loose	Cadmium Plated	20	16
07S	SE610	2001S	A	Loose	Stainless Steel	20	16
08	SE610	2002	B	Loose	Cadmium Plated	20	16
08S	SE610	2002S	B	Loose	Stainless Steel	20	16
10	SE610	1001	A	Fixed	Cadmium Plated	20	16
10S	SE610	1001S	A	Fixed	Stainless Steel	20	16
11	SE610	1002	B	Fixed	Cadmium Plated	20	16
11S	SE610	1002S	B	Fixed	Stainless Steel	20	16

Terminal Layout

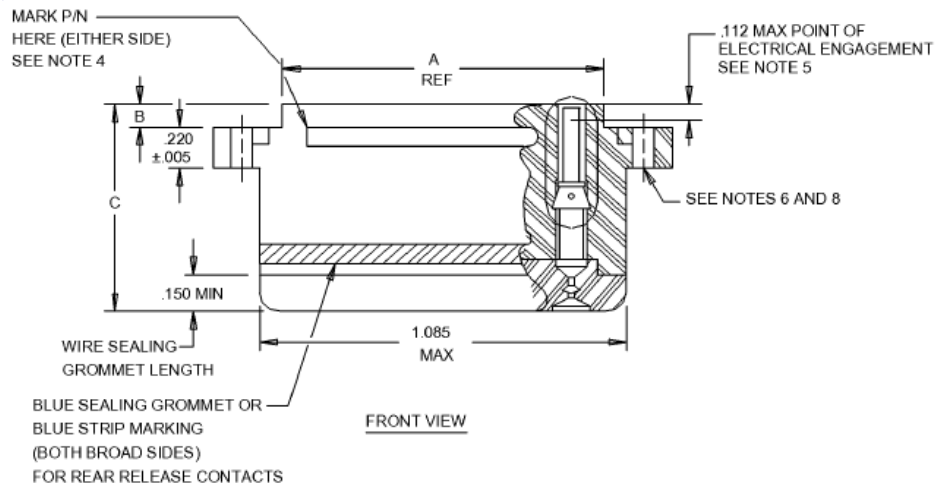


Body Style A



Body Style B

Body Layout



Dash number	A (mm)	B (mm)	C max (mm)
-01, -02, -04, and -05	1.0175 (27.31)	.093 (2.36)	.890 (22.61)
-07, -08, -10, and -11	1.025 (26.04)	.140 - .135 (3.56 - 3.43)	1.250 (31.75)