

ECONOSWITCH - ENVIRONMENTALLY SEALED SWITCHES







Series - 8533, 8534, 8535

Econoswitch Sealed Designerline Toggle Switches

| FEATURES | | SPECIFICATIONS | | CURRENT RATINGS | | | | | | |
|--|--|----------------|----------------|-------------------|-----------|----------------|----------------|------------------------|----------------|----------------|
| <ul style="list-style-type: none"> Environmentally sealed 1, 2 and 4 pole circuitry One hole mounting for easy installation Variety of lever styles and colors Color-coded, shaped levers for operator feel and cosmetic appearance 2 & 3 position with maintained and momentary action Three types of termination offered as standard Multi-circuits Also available with toggle and lever lock Actuator. For details, see page A11 for toggles and page A14 for lever locks. | <ul style="list-style-type: none"> Watertight seal per MIL-STD-108E designed to meet IP68 UL recognized and CSA certified Bushing: 15/32" - 32 thread Temperature range: -50°F to +150°F (-46°C to + 66°C) Life: 50,000 operations at rated load 100,000 operations mechanical life | No. of Poles | Catalog Number | Type of Operation | 28VDC | | | 115 VAC 60 or 400Hz | | |
| | | | | | Lamp Load | Resistive Load | Inductive Load | Lamp Load | Resistive Load | Inductive Load |
| | | 1 | 8533 | Maintained | 5 | 20 | 15 | 3 | 15 | 10 |
| | | | | Momentary | 4 | 15 | 10 | 2 | 11 | 7 |
| | | 2 | 8534 | Maintained | 7 | 20 | 15 | 4 | 15 | 15 |
| | | | | Momentary | 5 | 18 | 10 | 2 | 11 | 8 |
| | | 4 | 8535 | Maintained | 5 | 20 | 12 | 4 | 15 | 15 |
| | | | | Momentary | 4 | 18 | 10 | 2 | 11 | 8 |

For the UL/ CSA ratings, see page A70.

SELECTION TABLE

| | CIRCUIT WITH LEVER IN . . . | | | CATALOG NUMBER | | | | | | |
|--|---|---|---|-------------------|------------------------|-------------------|----------------|--------------|---------------|--|
| | Up Position | Center Position | Down Position (Keyway) | Screw Terminals ① | Solder Lug Terminals ① | Spade Terminals ① | Shape Suffix ② | Color Letter | Suffix Number | |
| |  |  |  | | | | | | | |
| | ONE POLE | | | | | | | | | |
| 8533  | ON | OFF | ON | 8533K1 | 8533K91 | 88533K31 | | | | |
| | ON | NONE | OFF | K9 | K99 | K39 | | | | |
| | ON | NONE | ON | K4 | K94 | K34 | All | White | 21 | |
| | ON | OFF | NONE | K6 | K96 | K36 | | | | |
| | * ON | NONE | ON* | 8533K5 | 8533K95 | 8533K35 | All | Red | 22 | |
| | NONE | OFF | ON* | K2 | K92 | K32 | | | | |
| ON | OFF | ON* | K7 | K97 | K37 | | | | | |
| ON | NONE | OFF* | K10 | K910 | K310 | | | | | |
| OFF | NONE | ON* | K11 | K911 | K311 | All | Black | 27 | | |
| * ON | OFF | ON* | 8533K3 | 8533K93 | 8533K33 | | | | | |
| ON | ON | NONE | K12 | K912 | K312 | | | | | |
| ON | ON | NONE | K13 | K913 | K313 | | | | | |
| | TWO POLE | | | | | | | | | |
| 8534  | ON | OFF | ON | 8534K1 | 8534K91 | 8534K31 | | | | |
| | ON | NONE | OFF | K9 | K99 | K39 | | | | |
| | ON | NONE | ON | K4 | K94 | K34 | All | White | 21 | |
| | ON | OFF | NONE | K6 | K96 | K36 | | | | |
| | * ON | NONE | ON* | 8534K5 | 8534K95 | 8534K35 | All | Red | 22 | |
| | ON | OFF | ON* | K2 | K92 | K32 | | | | |
| | NONE | OFF | ON* | K7 | K97 | K37 | All | Red | 22 | |
| | ON | NONE | OFF* | K10 | K910 | K310 | | | | |
| | OFF | NONE | ON* | K11 | K911 | K311 | | | | |
| | * ON | OFF | ON* | 8534K3 | 8534K93 | 8534K33 | All | Black | 27 | |
| | ON | ON | NONE | K12 | K912 | K312 | | | | |
| | ON | ON | NONE | K13 | K913 | K313 | | | | |
| ON | ON | ON | 8534K14 | 8534K914 | 8534K314 | | | | | |
| ON | ON | ON* | K15 | K915 | K315 | | | | | |
| * ON | ON | ON* | K16 | K916 | K316 | | | | | |
| | FOUR POLE | | | | | | | | | |
| 8535  | ON | OFF | ON | 8535K1 | 8535K91 | 8535K31 | | | | |
| | ON | NONE | OFF | K9 | K99 | K39 | | | | |
| | ON | NONE | ON | K4 | K94 | K34 | All | White | 21 | |
| | ON | OFF | NONE | K6 | K96 | K36 | | | | |
| | * ON | NONE | ON* | 8535K5 | 8535K95 | 8535K35 | All | Red | 22 | |
| | ON | OFF | ON* | K2 | K92 | K32 | | | | |
| | NONE | OFF | ON* | K7 | K97 | K37 | All | Red | 22 | |
| | ON | NONE | OFF* | K10 | K910 | K310 | | | | |
| | OFF | NONE | ON* | K11 | K911 | K311 | | | | |
| | * ON | OFF | ON* | 8535K3 | 8535K93 | 8535K33 | All | Black | 27 | |
| | ON | ON | NONE | K12 | K912 | K312 | | | | |
| | ON | ON | NONE | K13 | K913 | K313 | | | | |
| ON | ON | ON | 8535K15 | 8535K915 | 8535K315 | | | | | |
| ON | ON | ON* | K16 | K916 | K316 | | | | | |
| * ON | ON | ON* | K17 | K917 | K317 | | | | | |

* Momentary contact.

① A complete catalog number consists of a basic switch number followed by a lever shape suffix letter and a two-digit lever color suffix number. Example: 8533K91E27.

See page A71 for circuit diagrams.

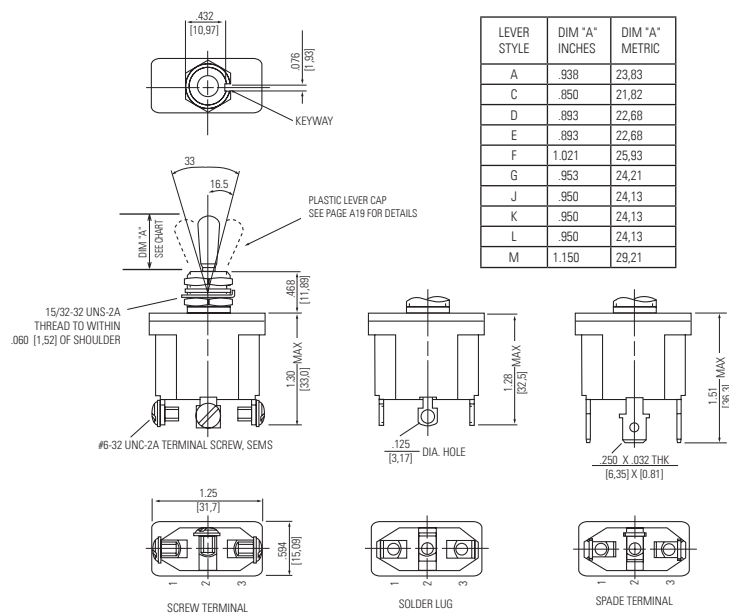
② Select lever shape suffix letter from page A19.

ECONOSWITCH - ENVIRONMENTALLY SEALED SWITCHES

Series - 8533, 8534, 8535

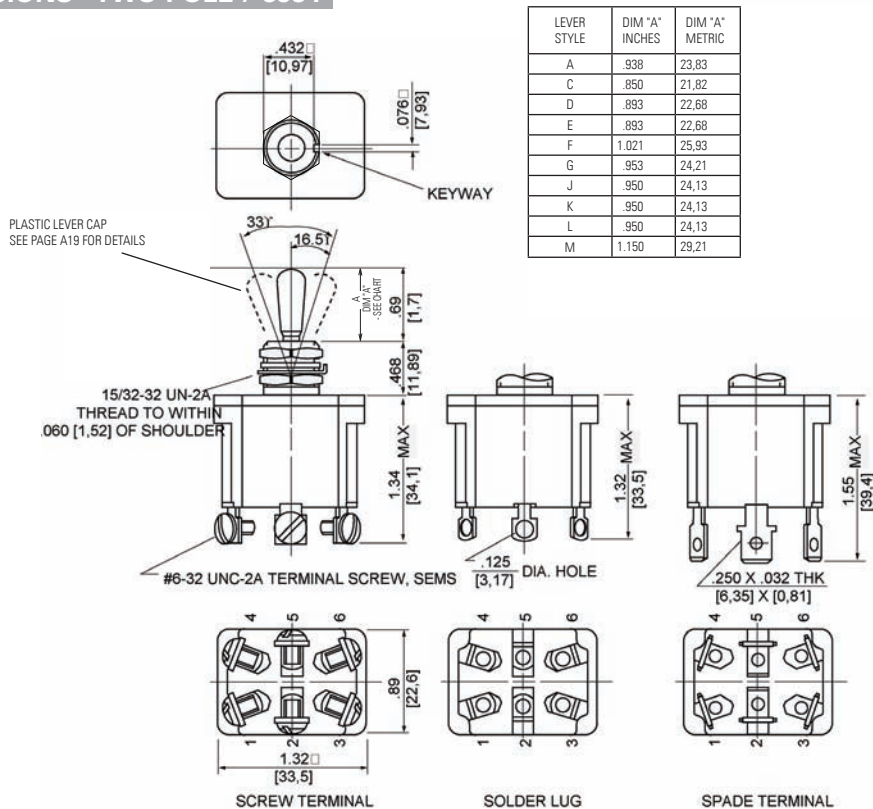
Econoswitch Sealed Designerline Toggle Switches

MOUNTING DIMENSIONS - ONE POLE / 8533



Terminal Identification

MOUNTING DIMENSIONS - TWO POLE / 8534



Terminal Identification

STANDARD
0.00 = inches
[0,0] = mm

Mounting dimensions for reference only.

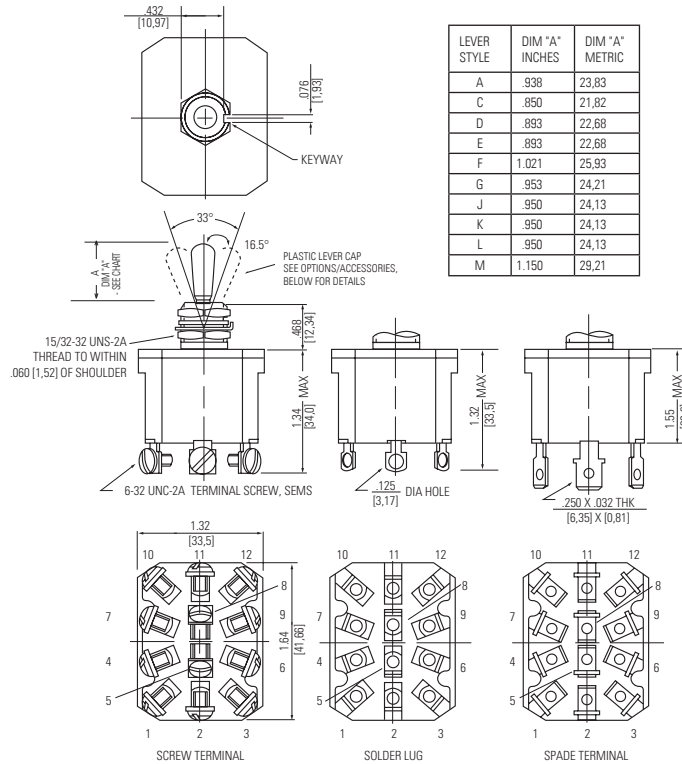
Non-functional terminals not supplied.

ECONOSWITCH - ENVIRONMENTALLY SEALED SWITCHES

Econoswitch Sealed Designerline Toggle Switches

Series - 8533, 8534, 8535

MOUNTING DIMENSIONS - FOUR POLE / 8535

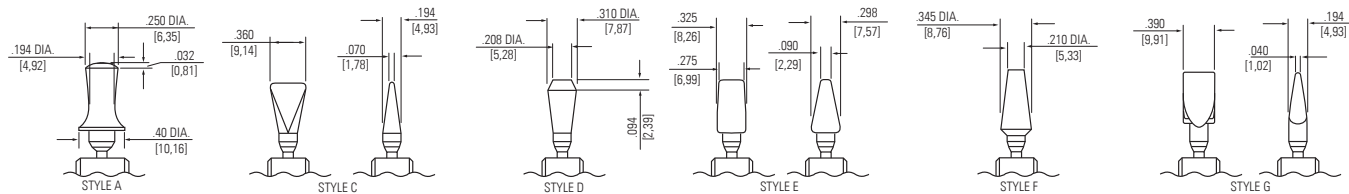


Terminal Identification

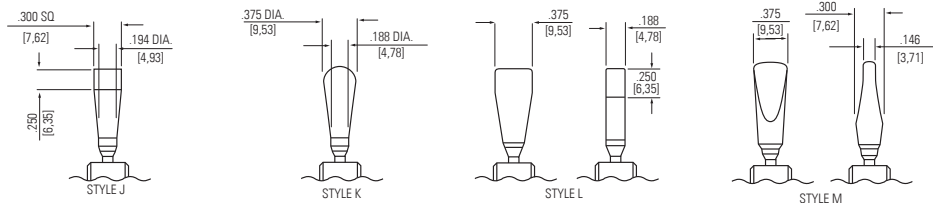
Non-functional terminals not supplied.

OPTIONS/ACCESSORIES

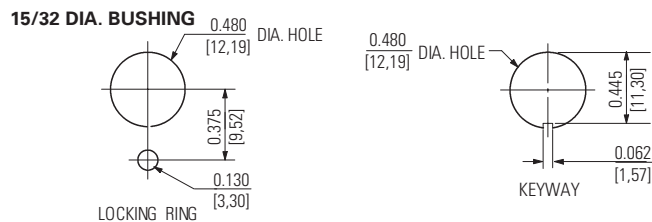
- Standard colors available - White, red and black



- Special mounting hardware
- Mounting hardware furnished assembled
- Special circuits
- Panel seal, Part Number 32-341



PANEL CUTOUT DIMENSIONS



STANDARD
0.00 = inches
[0,0] = mm

Mounting dimensions for reference only.