

REBLING PLASTICS

700240 & 700250 VENTED FILLER CAPS

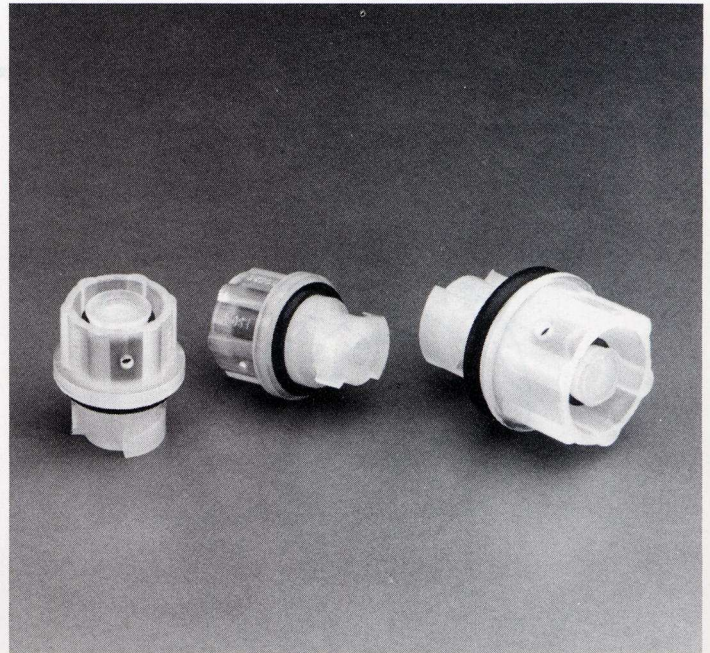
Rebling Vented Filler Caps are designed for use on nickel-cadmium battery cells. They provide for automatic venting of gases within the cell while preventing leakage of the electrolyte.

When installed on the battery cell, the Vented Filler Cap O-ring is compressed, sealing the filler cap-battery cell interface. A rubber vent sleeve, expanded during assembly to fit over the filler cap stem, seals the two radial holes of the stem through which the internal gases of the cell can escape. As pressure within the cell increases, the rubber vent sleeve is displaced outwardly allowing the cells internal gases to vent to the atmosphere. The rubber vent sleeves are designed to open and close between a pressure range of 2-10 psi.

The Vented Filler Caps are designed with a bayonet-type locking mechanism and can be easily installed or removed from the nickel-cadmium cells using Rebling's Universal Vent Wrench (P/N 700260). They are molded from a polyamide material which is resistant to attack from the cells electrolyte. Both the O-ring and the vent sleeve are made from ethylene propylene rubber, which provides maximum chemical resistance as well as performance stability over a wide temperature range.

The Vented Filler Caps are available in two sizes. The 700240 models are used on 10, 20, and 30 ampere-hour cells in batteries conforming to MIL-B-81757/1. The 700240 unit is on the Qualified Products List of MIL-B-81757 and conforms to U.S. Government Part No. M81757/2-1.

The 700250 caps are used on 6 ampere-hour type batteries conforming to MIL-B-81757/10. These units conform to U.S. Government specifications MS-3510-1, MIL-B-81757/10 and MS75046-1.



Rebling 700240 & 700250 Vented Filler Caps

- One piece molded construction
- Ethylene propylene O-ring and sleeve
- For use on nickel-cadmium battery cells
- P/N 700240 conforms to M81757/2-1
- P/N 700250 conforms to MIL-B-81757/10; MS3510-1 and MS75046-1
- On Qualified Products List

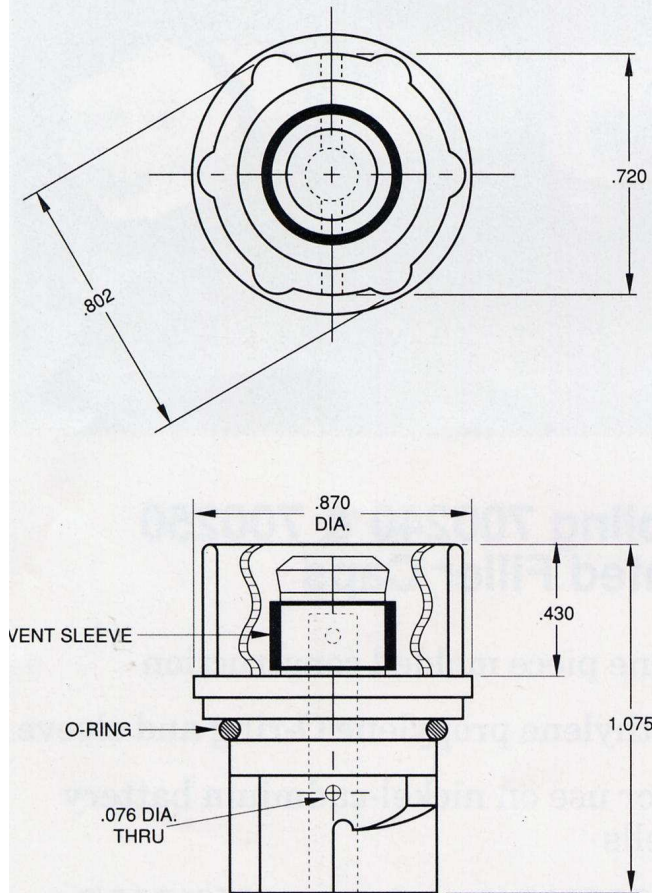
Material Specifications

Body Material Molded Polyamide
 Sleeve, O-ring Material .. Ethylene Propylene Rubber
 Color Natural Off-white

Mechanical Specifications

Venting Pressure 2-10 psi, at temperatures between -22° F and +75° F, after a 7-day soak in 1.30 specific gravity potassium hydroxide at +150° F.

700240 Vented Filler Cap



700250 Vented Filler Cap

