

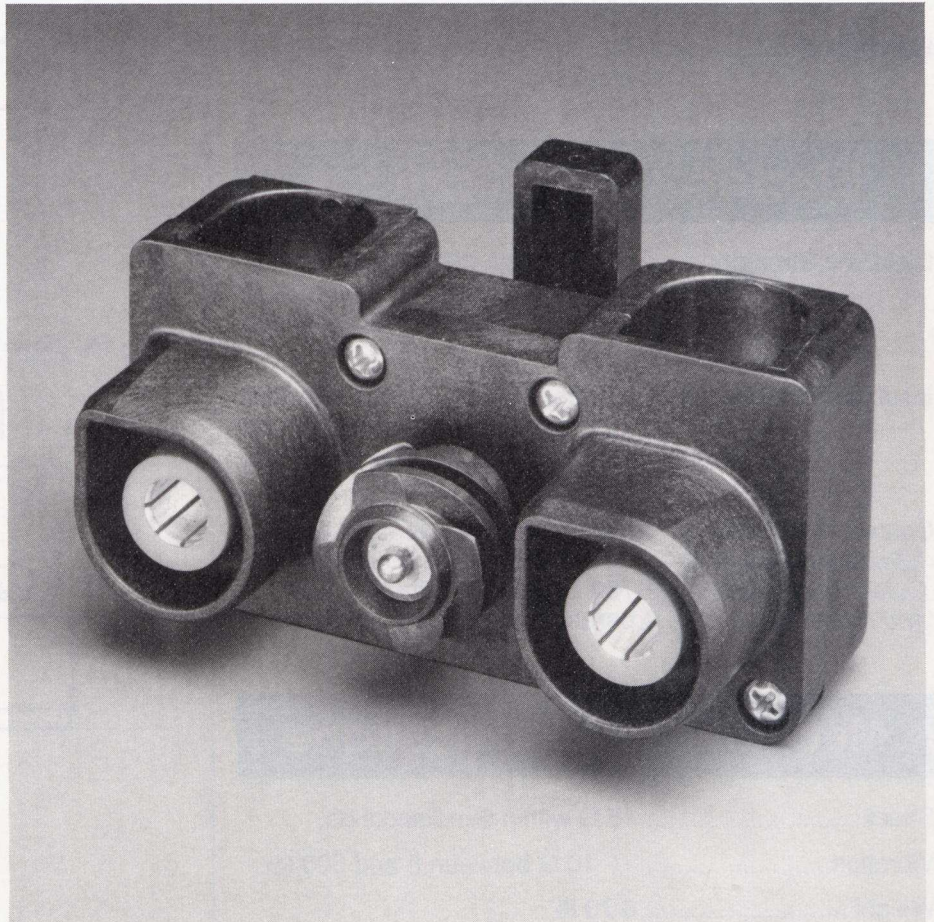
Rebling Type 8003 Quick Disconnect plugs are two-socket two-wire connectors for lead-acid aviation batteries. They are designed to mate with Rebling Type 8002 aero battery receptacle adapters and with other receptacle adapters conforming to Figure 2 of MIL-B-83769.

The 8003 plug provides for rapid connection and release of the electrical load from the battery. Rotation of the handle in a clockwise direction engages the Quick Disconnect with the battery receptacle while rotation in a counter-clockwise direction unlocks the unit. The handle is clearly marked for direction of rotation. Once engaged with the receptacle, there are provisions on the 8003 handle to lockwire the unit in a fully engaged position.

The 8003 unit is keyed so that it can only be installed in the receptacle with the correct polarity. Polarity markings are clearly indicated on the outside and inside of the body.

The 8003 body is made from acid-resistant and fungus-resistant glass reinforced plastic. Contacts are silver-plated copper alloy. The plug can accommodate up to 000 wire on the positive and negative terminals.

The 8003 Quick Disconnect conforms to the requirements of MS3349-3 and U.S. Air Force Drawing 49B7293, and meets the environmental and performance specifications of MIL-P-18148.



Rebling 8003 Quick Disconnect

- Two-wire design, per MS3349-3, and USAF Drawing 49B7293
- For lead-acid batteries
- Mates with all receptacle adapters per Figure 2 of MIL-B-83769, and Rebling Part No. 8002
- Meets MIL-P-18148

Material Specifications

Body Material	Acid and fungus resistant glass reinforced plastic.
Color	Black
Contacts	Copper alloy - silver plated per QQ-S-365D.
Handwheel	Molded plastic acme thread over steel shaft.

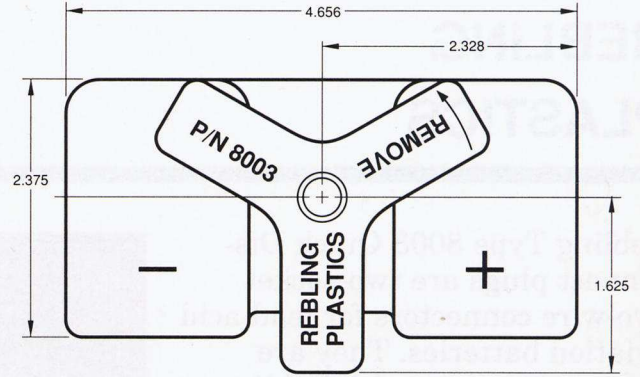
Electrical Specifications

Dielectric Strength	Greater than 2500 VDC, applied for 1 minute between contacts at temperatures between -65°F and +160°F.
Insulation Resistance	Greater than 5 gigohms with 500 VDC applied between contacts at temperatures between -65°F and +160°F.
Contact Resistance	Less than 88 mv at 1200 amps for 1 minute. Less than 55 mv at 750 amps for 5 minutes. Temperature range -65°F to +160°F.

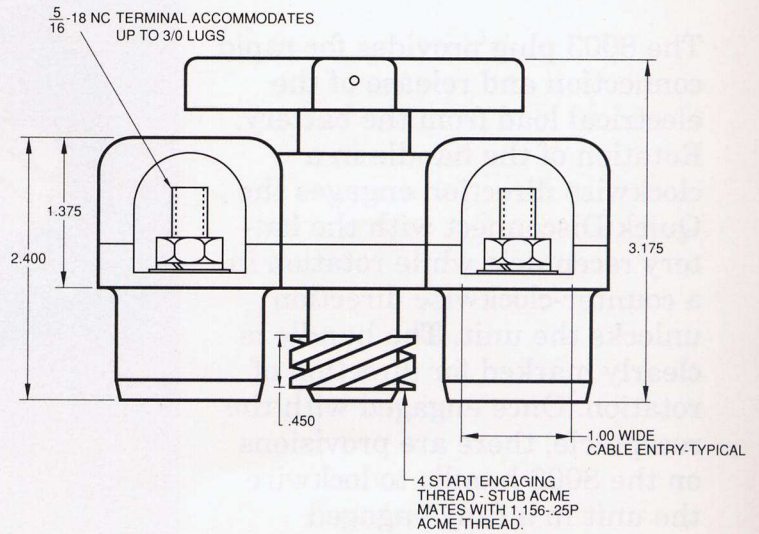
(Measured between Quick Disconnect and receptacle.)

Mechanical Specifications

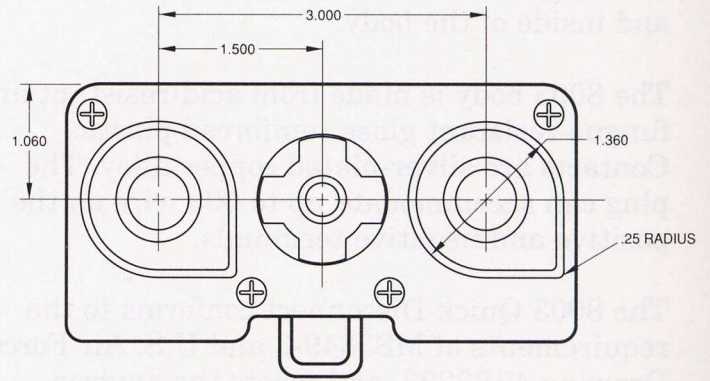
Shock	15 G within 5 milliseconds.
Vibration	+/- 10 G between 5 and 500 Hz.
Weight	0.73 lb.
Temperature Shock	-40°F to +160°F within 5 minutes.
Engagement Torque	10-12 inch pounds at temperatures between -65°F and +160°F.
Lifespan	Greater than 5000 engagements with receptacle.
Humidity	Withstands 95% RH, up to 140°F.
Salt Spray	Withstands 7 day exposure of 5% salt spray at 95°F.
Fungus Resistance	Will not support fungus growth.
Chemical Resistance	Withstands immersion in following: <ul style="list-style-type: none"> • 1.1 Sp.Gr. Sulfuric Acid - 4 hours • Aircraft hydraulic fluid per MIL-H-5606 - 20 hours • Lubrication oil per MIL-L-23699 - 20 hours



FRONT VIEW



BOTTOM VIEW



BACK VIEW