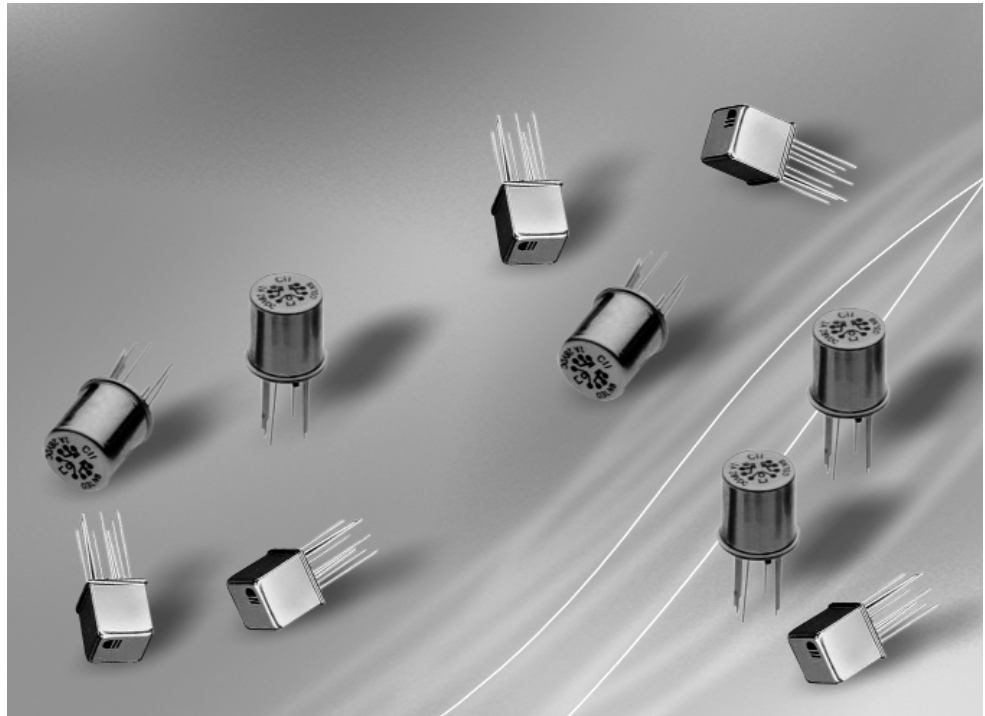




Microwave Switching, Hermetically Sealed, DPDT

Product Facts

- Excellent signal isolation, stable insertion loss and low VSWR.
- Provide repeatable RF performance at frequencies up to the 3 GHz. level (MW3/MW3HP), 4 GHz. level (MW4/MW4HP) & 6 GHz. level (MW6/MW6HP).
- Standard versions for applications ranging from wireless communications to precision high-speed test equipment.
- High performance (HP) versions for use under more demanding environmental conditions.
- Standard or sensitive (S) coils are offered in a range of DC input voltages.
- 2 Form C (DPDT) contacts rated low-level to 1 amp.
- Extended mechanical life expectancy of 10 million operations.
- Robust, hermetically sealed enclosure.



These CII relays provide microwave frequency switching in a hermetically sealed, subminiature package.

Both standard and high performance models are offered in 3 GHz., 4 GHz. and 6 GHz. types.

Standard models (MW3, MW4 and MW6) perform in temperature ranges from -55°C to +85°C and withstand 10G vibration and 30G shock.

High performance models (MW3HP, MW4HP and MW6HP) offer extended temperature ratings of -65°C to +125°C while providing 30G's vibration and 100G's shock (75G's for MW3) environmental ratings.

All are available with either standard or sensitive DC coils. Nominal coil power is 367-500mW (model dependent) for standard coils and 169-250mW for sensitive coils.

Signal isolation is 18dB at 6 GHz. (MW6/MW6HP), 18dB at 4 GHz. (MW4/MW4HP), and 22dB at 3 GHz. (MW3/MW3HP).

Insertion loss is 0.38dB for MW6/MW6HP, 0.27dB for MW4/MW4HP, and 0.36dB for MW3/MW3HP.

VSWR is a low 1.30:1 @ 6GHz. for MW6/MW6HP, 1.36:1 @ 4GHz. for MW4/MW4HP, and 1.24:1 @ 3GHz. for MW3/MW3HP.


**MW3 & MW3HP Models  
3 GHz. Switching**
**Electrical Characteristics**
**Contact Arrangement:**

2 Form C (DPDT)

**Contact Resistance:**

 Before life: 100 milliohms, max  
(measured @ 10mA @ 6VDC.)  
After life: 200 milliohms, max  
(measured @ 1A @ 28VDC.)

**Mechanical Life Expectancy:**

10 million operations

**Coil Voltages:**

 5, 12, 18 & 26.5VDC (MW3)  
5, 6, 9, 12, 18 & 26.5VDC (MW3HP)

**Coil Power (mw max @25°C):**

|     |      |       |        |
|-----|------|-------|--------|
| MW3 | MW3S | MW3HP | MW3HPS |
| 675 | 565  | 673   | 563    |

**Duty Cycle:**

Continuous

**Pick-up Voltage:**

 MW3: Approx 70% of nominal.  
MW3HP: Approx 50% of nominal.

**Pick-up Sensitivity (mw max @25°C):**

|     |      |       |        |
|-----|------|-------|--------|
| MW3 | MW3S | MW3HP | MW3HPS |
| 180 | 90   | 146   | 68     |

**Operating Characteristics**
**Timing:**

Operate Time (ms max.)

|     |      |       |        |
|-----|------|-------|--------|
| MW3 | MW3S | MW3HP | MW3HPS |
| 4.0 | 6.0  | 2.0   | 4.0    |

Release Time (ms max.)

|     |      |       |        |
|-----|------|-------|--------|
| MW3 | MW3S | MW3HP | MW3HPS |
| 3.0 | 3.0  | 1.5   | 2.0    |

Bounce Time (ms max.)

|     |      |       |        |
|-----|------|-------|--------|
| MW3 | MW3S | MW3HP | MW3HPS |
| -   | -    | 1.5   | 1.5    |

**Dielectric Withstanding Voltage:**

 Between Open Contacts,  
Between Adjacent Contacts and  
Between Contacts and Coil:  
MW3 types: 350Vrms, 60 Hz.  
MW3HP types: 500Vrms, 60 Hz.

**Insulation Resistance:**

1,000 megohms @ 500VDC.

**Environmental Characteristics**
**Temperature Range:**

 MW3 types: -55°C to +85°C.  
MW3HP types: -65°C to +125°C.

**Weight:**

 MW3, MW3HP: 0.09 oz. (2.55 g)  
MW3S, MW3HPS: 0.12 oz. (3.40 g).

**Vibration Resistance:**

 MW3 types: 10 G's, 10-500 Hz.  
MW3HP types: 30 G's, 10-3,000 Hz

**Shock Resistance:**

 MW3 types: 30 G's, 6 ± 1 ms.  
MW3HP types: 75 G's, 6 ± 1 ms.

**Microwave Switching, Hermetically Sealed, DPDT (Continued)**
**Contact Ratings**

| Contact Load           | Type      | Operations (min.) |
|------------------------|-----------|-------------------|
| 1.0A @ 28VDC           | Resistive | 100,000           |
| 200mA @ 28VDC (300mH)* | Inductive | 100,000           |
| 30µA @ 50mVDC          | Low Level | 10,000,000        |

\* The inductive rating is only applicable to high performance models (MW3HP and MW3HPS).

**Coil Data**
**MW3 Models**

| Nominal Coil Voltage (VDC) | Coil Resistance In Ohms ±20% @ 25°C | Pickup Voltage VDC (Max.) @ 25°C | Nominal Coil Power (mw) @ 25°C | Maximum Coil Voltage | Coil Designator |
|----------------------------|-------------------------------------|----------------------------------|--------------------------------|----------------------|-----------------|
|----------------------------|-------------------------------------|----------------------------------|--------------------------------|----------------------|-----------------|

**Standard Coil**

|      |       |      |     |      |    |
|------|-------|------|-----|------|----|
| 5.0  | 50    | 3.6  | 500 | 5.8  | 5  |
| 12.0 | 390   | 8.4  | 369 | 16.0 | 12 |
| 18.0 | 880   | 13.0 | 368 | 24.0 | 18 |
| 26.5 | 1,560 | 17.0 | 450 | 32.0 | 26 |

**Sensitive Coil**

|      |       |      |     |      |    |
|------|-------|------|-----|------|----|
| 5.0  | 100   | 3.5  | 250 | 7.5  | 5  |
| 12.0 | 850   | 9.0  | 169 | 20.0 | 12 |
| 18.0 | 1,600 | 13.5 | 203 | 30.0 | 18 |
| 26.5 | 3,300 | 18.0 | 213 | 40.0 | 26 |

**MW3HP (High Performance) Models**

| Nominal Coil Voltage (VDC) | Coil Res. in Ohms ±10% @ 25°C | Pickup V VDC (Max.) @25°C | Release V VDC (Max.) @25°C | Release V VDC (Min.) @25°C | Nominal Coil Power (mw) @25°C | Maximum Coil Voltage | Coil Designator |
|----------------------------|-------------------------------|---------------------------|----------------------------|----------------------------|-------------------------------|----------------------|-----------------|
|----------------------------|-------------------------------|---------------------------|----------------------------|----------------------------|-------------------------------|----------------------|-----------------|

**Standard Coil**

|      |       |      |     |      |     |      |    |
|------|-------|------|-----|------|-----|------|----|
| 5.0  | 50    | 2.7  | 1.4 | 0.22 | 500 | 5.8  | 5  |
| 6.0  | 98    | 3.5  | 2.0 | 0.28 | 367 | 8.0  | 6  |
| 9.0  | 220   | 5.3  | 3.0 | 0.54 | 368 | 12.0 | 9  |
| 12.0 | 390   | 7.0  | 4.0 | 0.63 | 369 | 16.0 | 12 |
| 18.0 | 880   | 10.5 | 6.0 | 0.91 | 368 | 24.0 | 18 |
| 26.5 | 1,560 | 14.2 | 8.0 | 1.37 | 450 | 32.0 | 26 |

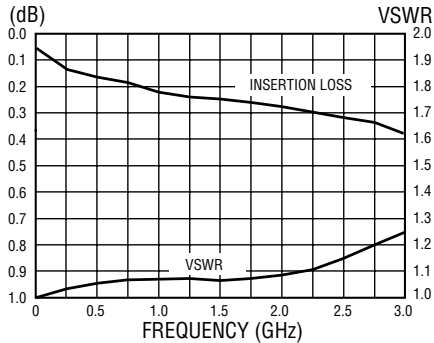
**Sensitive Coil**

|      |       |      |     |      |     |      |    |
|------|-------|------|-----|------|-----|------|----|
| 5.0  | 100   | 2.6  | 1.4 | 0.23 | 250 | 7.5  | 5  |
| 6.0  | 200   | 3.4  | 2.0 | 0.28 | 180 | 10.0 | 6  |
| 9.0  | 400   | 4.85 | 3.0 | 0.55 | 203 | 15.0 | 9  |
| 12.0 | 850   | 7.0  | 4.0 | 0.64 | 169 | 20.0 | 12 |
| 18.0 | 1,600 | 9.8  | 6.0 | 0.92 | 203 | 30.0 | 18 |
| 26.5 | 3,300 | 14.0 | 8.0 | 1.4  | 213 | 40.0 | 26 |

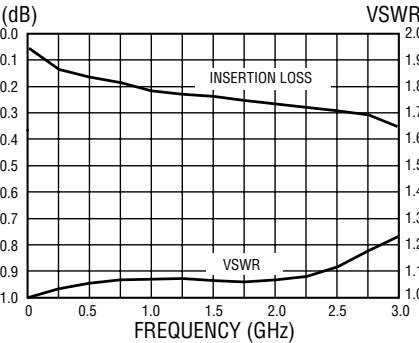


**MW3 & MW3HP Models  
3 GHz. Switching**

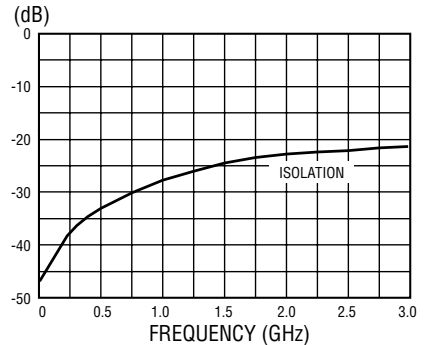
**Insertion Loss & VSWR: NO Contacts**



**Insertion Loss & VSWR: NC Contacts**



**Isolation**



**Test Conditions**

**Test Board:** 0.031" double sided copper clad, PTFE based laminate.

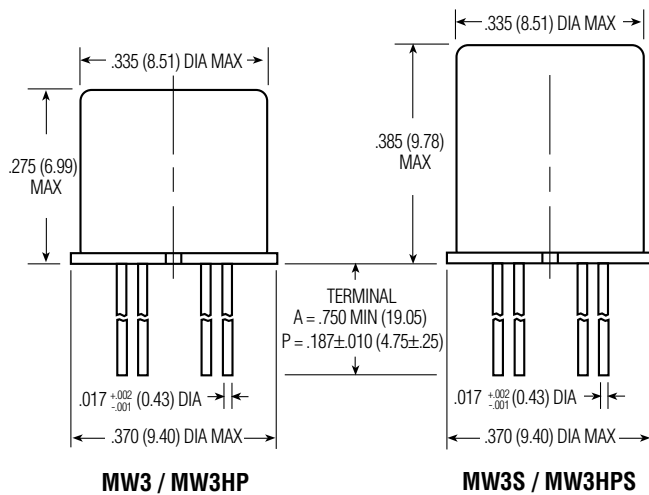
**Connections:** Relay header is soldered to ground plane. Relay terminals are soldered to through holes. SMA connectors are soldered to circuit traces.

**Temperature:** Room ambient.

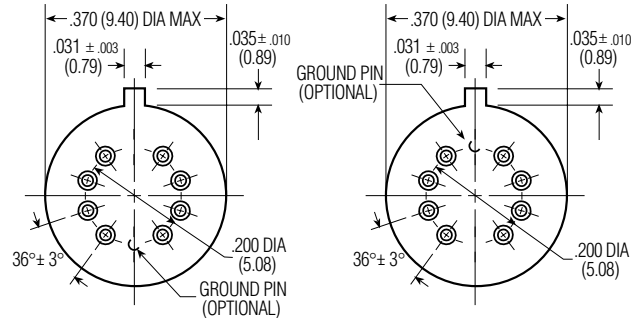
**Signal Strength:** 0 dBm.

**Notes:** 1. Unused terminals were terminated with 50 ohm impedance load. 2. All readings are typical.

**Enclosures**



**Header**



**Ground Pin Position "G"**

**Ground Pin Position "E"**

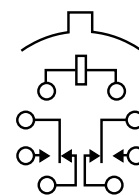
For other ground pin configurations consult factory.

**Header and Terminal Finish:**  
Nickel plated on MW3 & MW3S.  
Tin-lead plated on MW3HP & MW3HPS.

**Part Numbering System**

|   |  |   |    |   |   |
|---|--|---|----|---|---|
| <b>Typical Part Number</b>                              | MW3  | S | -5 | A | G |
| <b>Series:</b>  | MW3 = 3 GHz. switching relay<br>MW3HP = High performance 3 GHz. switching relay  |   |    |   |   |
| <b>Coil Sensitivity:</b>                                | Leave Blank = Standard Coil      S = Sensitive Coil  |   |    |   |   |
| <b>Coil Designator:</b>                                 | 5 = 5VDC      6 = 6VDC†      9 = 9VDC†<br>12 = 12VDC      18 = 18VDC      26 = 26.5VDC<br>† 6 and 9 volt coil only available on high performance models. |   |    |   |   |
| <b>Terminal Length:</b>                                 | A = 0.750 in (19.05 mm)      P = 0.187 ± 0.010 in (4.75 ± 0.25 mm)   |   |    |   |   |
| <b>Ground Pin Position (see header drawings above):</b> | G = Opposite locating tab      E = Near locating tab.<br>Consult factory for other ground pin configurations.  |   |    |   |   |

**Wiring Diagram**



**Terminal View**


**MW4 & MW4HP Models  
4 GHz. Switching**
**Electrical Characteristics**

**Contact Arrangement:**  
2 Form C (DPDT)

**Contact Resistance:**  
Before life: 100 milliohms, max  
(measured @ 10mA @ 6VDC.)  
After life: 200 milliohms, max  
(measured @ 1A @ 28VDC.)

**Mechanical Life Expectancy:**  
10 million operations

**Coil Voltages:**  
5, 12, 18 & 26.5VDC (MW4)  
5, 6, 9, 12, 18 & 26.5VDC (MW4HP)

**Coil Power** (mw max @25°C):  
MW4 MW4S MW4HP MW4HPS  
675 565 673 563

**Duty Cycle:**  
Continuous

**Pick-up Voltage:**  
MW4: Approx 70% of nominal.  
MW4HP: Approx 50% of nominal.

**Pick-up Sensitivity** (mw max @25°C):  
MW4 MW4S MW4HP MW4HPS  
180 90 123 68

**Operating Characteristics**

**Timing:**  
Operate Time (ms max.)  
MW4 MW4S MW4HP MW4HPS  
4.0 6.0 2.0 4.0  
Release Time (ms max.)  
MW4 MW4S MW4HP MW4HPS  
3.0 3.0 1.5 2.0  
Bounce Time (ms max.)  
MW4 MW4S MW4HP MW4HPS  
- - 1.5 1.5

**Dielectric Withstanding Voltage:**  
Between Open Contacts,  
Between Adjacent Contacts and  
Between Contacts and Coil:  
MW4 types: 350Vrms, 60 Hz.  
MW4HP types: 500Vrms, 60 Hz.

**Insulation Resistance:**  
1,000 megohms @ 500VDC.

**Environmental Characteristics**

**Temperature Range:**  
MW4 types: -55°C to +85°C.  
MW4HP types: -65°C to +125°C.

**Weight:**  
MW4, MW4HP: 0.09 oz. (2.55 g)  
MW4S, MW4HPS: 0.12 oz. (3.40 g).

**Vibration Resistance:**  
MW4 types: 10 G's, 10-500 Hz.  
MW4HP types: 30 G's, 10-3,000 Hz

**Shock Resistance:**  
MW4 types: 30 G's, 6 ± 1 ms.  
MW4HP types: 100 G's, 6 ± 1 ms.

**Contact Ratings**

| Contact Load           | Type      | Operations (min.) |
|------------------------|-----------|-------------------|
| 1.0A @ 28VDC           | Resistive | 100,000           |
| 200mA @ 28VDC (300mH)* | Inductive | 100,000           |
| 30µA @ 50mVDC          | Low Level | 10,000,000        |

\* The inductive rating is only applicable to high performance models (MW4HP and MW4HPS).

**Coil Data**
**MW4 Models**

| Nominal Coil Voltage (VDC) | Coil Resistance In Ohms ±20% @ 25°C | Pickup Voltage VDC (Max.) @ 25°C | Nominal Coil Power (mw) @ 25°C | Maximum Coil Voltage | Coil Designator |
|----------------------------|-------------------------------------|----------------------------------|--------------------------------|----------------------|-----------------|
|----------------------------|-------------------------------------|----------------------------------|--------------------------------|----------------------|-----------------|

**Standard Coil**

|      |       |      |     |      |    |
|------|-------|------|-----|------|----|
| 5.0  | 50    | 3.6  | 500 | 5.8  | 5  |
| 12.0 | 390   | 8.4  | 369 | 16.0 | 12 |
| 18.0 | 880   | 13.0 | 368 | 24.0 | 18 |
| 26.5 | 1,560 | 17.0 | 450 | 32.0 | 26 |

**Sensitive Coil**

|      |       |      |     |      |    |
|------|-------|------|-----|------|----|
| 5.0  | 100   | 3.5  | 250 | 7.5  | 5  |
| 12.0 | 850   | 9.0  | 169 | 20.0 | 12 |
| 18.0 | 1,600 | 13.5 | 203 | 30.0 | 18 |
| 26.5 | 3,300 | 18.0 | 213 | 40.0 | 26 |

**MW4HP (High Performance) Models**

| Nominal Coil Voltage (VDC) | Coil Res. in Ohms ±10% @ 25°C | Pickup V VDC (Max.) @25°C | Release V VDC (Max.) @25°C | Release V VDC (Min.) @25°C | Nominal Coil Power (mw) @25°C | Maximum Coil Voltage | Coil Designator |
|----------------------------|-------------------------------|---------------------------|----------------------------|----------------------------|-------------------------------|----------------------|-----------------|
|----------------------------|-------------------------------|---------------------------|----------------------------|----------------------------|-------------------------------|----------------------|-----------------|

**Standard Coil**

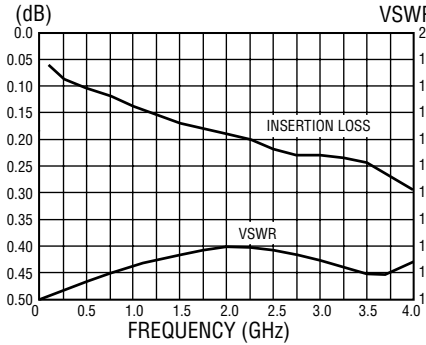
|      |       |      |     |      |     |      |    |
|------|-------|------|-----|------|-----|------|----|
| 5.0  | 50    | 2.7  | 1.4 | 0.22 | 500 | 5.8  | 5  |
| 6.0  | 98    | 3.5  | 2.0 | 0.28 | 367 | 8.0  | 6  |
| 9.0  | 220   | 5.3  | 3.0 | 0.54 | 368 | 12.0 | 9  |
| 12.0 | 390   | 7.0  | 4.0 | 0.63 | 369 | 16.0 | 12 |
| 18.0 | 880   | 10.5 | 6.0 | 0.91 | 368 | 24.0 | 18 |
| 26.5 | 1,560 | 14.2 | 8.0 | 1.37 | 450 | 32.0 | 26 |

**Sensitive Coil**

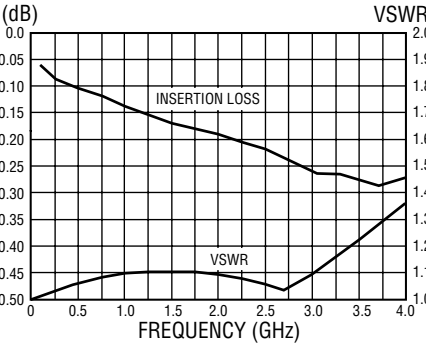
|      |       |      |     |      |     |      |    |
|------|-------|------|-----|------|-----|------|----|
| 5.0  | 100   | 2.6  | 1.4 | 0.23 | 250 | 7.5  | 5  |
| 6.0  | 200   | 3.4  | 2.0 | 0.28 | 180 | 10.0 | 6  |
| 9.0  | 400   | 4.85 | 3.0 | 0.55 | 203 | 15.0 | 9  |
| 12.0 | 850   | 7.0  | 4.0 | 0.64 | 169 | 20.0 | 12 |
| 18.0 | 1,600 | 9.8  | 6.0 | 0.92 | 203 | 30.0 | 18 |
| 26.5 | 3,300 | 14.0 | 8.0 | 1.4  | 213 | 40.0 | 26 |

**MW4 & MW4HP Models  
4 GHz. Switching**

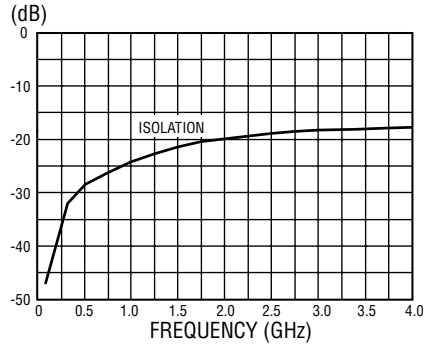
**Insertion Loss & VSWR: NO Contacts**



**Insertion Loss & VSWR: NC Contacts**



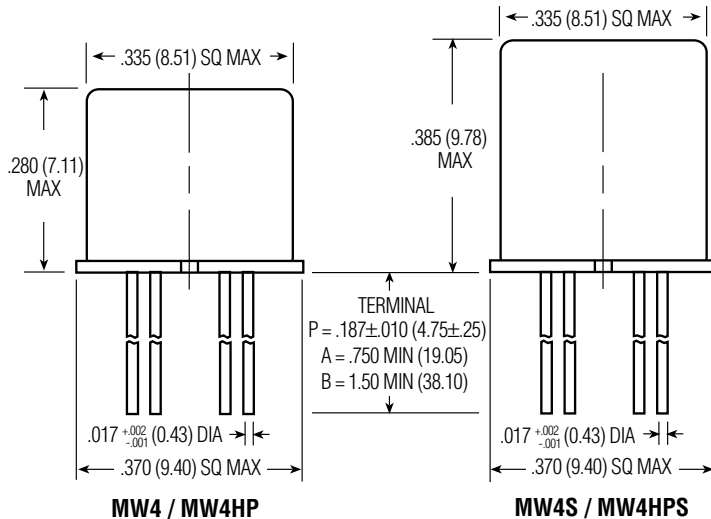
**Isolation**



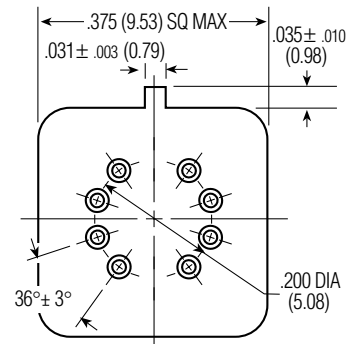
**Test Conditions**

**Test Board:** 0.031" double sided copper clad, PTFE based laminate.  
**Connections:** Relay header is soldered to ground plane. Relay terminals are soldered to through holes. SMA connectors are soldered to circuit traces.  
**Temperature:** Room ambient.  
**Signal Strength:** 0 dBm.  
**Notes:** 1. Unused terminals were terminated with 50 ohm impedance load. 2. All readings are typical.

**Enclosures**



**Header**



**Header and Terminal Finish:  
Gold plated**

**Part Numbering System**

**Typical Part Number** MW4 S - 5 P

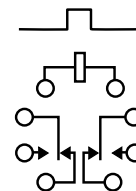
**Series:**  
 MW4 = 4 GHz. switching relay  
 MW4HP = High performance 4 GHz. switching relay

**Coil Sensitivity:**  
 Leave Blank = Standard Coil    S = Sensitive Coil

**Coil Designator:**  
 5 = 5VDC      6 = 6VDC†      9 = 9VDC†  
 12 = 12VDC    18 = 18VDC      26 = 26.5VDC  
 † 6 and 9 volt coil only available on high performance models.

**Terminal Length:**  
 A = 0.750 in (19.05 mm)  
 B = 1.50 in (38.105 mm) – only available on high performance models  
 P = 0.187 ± 0.010 in (4.75 ± 0.25 mm)

**Wiring Diagram**



**Terminal View**


**MW6 & MW6HP Models  
6 GHz. Switching**
**Electrical Characteristics**
**Contact Arrangement:**  
2 Form C (DPDT)

**Contact Resistance:**  
Before life: 100 milliohms, max  
(measured @ 10mA @ 6VDC.)  
After life: 200 milliohms, max  
(measured @ 1A @ 28VDC.)

**Mechanical Life Expectancy:**  
10 million operations

**Coil Voltages:**  
5, 12, 18 & 26.5VDC (MW6)  
5, 6, 9, 12, 18 & 26.5VDC (MW6HP)

**Coil Power** (mw max @25°C):  

|     |      |       |        |
|-----|------|-------|--------|
| MW6 | MW6S | MW6HP | MW6HPS |
| 675 | 565  | 673   | 563    |

**Duty Cycle:**  
Continuous

**Pick-up Voltage:**  
MW6: Approx 70% of nominal.  
MW6HP: Approx 50% of nominal.

**Pick-up Sensitivity** (mw max @25°C):  

|     |      |       |        |
|-----|------|-------|--------|
| MW6 | MW6S | MW6HP | MW6HPS |
| 180 | 90   | 123   | 68     |

**Operating Characteristics**
**Timing:**  
Operate Time (ms max.)  

|     |      |       |        |
|-----|------|-------|--------|
| MW6 | MW6S | MW6HP | MW6HPS |
| 4.0 | 6.0  | 2.0   | 4.0    |

Release Time (ms max.)  

|     |      |       |        |
|-----|------|-------|--------|
| MW6 | MW6S | MW6HP | MW6HPS |
| 3.0 | 3.0  | 1.5   | 2.0    |

Bounce Time (ms max.)  

|     |      |       |        |
|-----|------|-------|--------|
| MW6 | MW6S | MW6HP | MW6HPS |
| -   | -    | 1.5   | 1.5    |

**Dielectric Withstanding Voltage:**  
Between Open Contacts,  
Between Adjacent Contacts and  
Between Contacts and Coil:  
MW6 types: 350Vrms, 60 Hz.  
MW6HP types: 500Vrms, 60 Hz.

**Insulation Resistance:**  
1,000 megohms @ 500VDC.

**Environmental Characteristics**
**Temperature Range:**  
MW6 types: -55°C to +85°C.  
MW6HP types: -65°C to +125°C.

**Weight:**  
MW6, MW6HP: 0.09 oz. (2.55 g)  
MW6S, MW6HPS: 0.12 oz. (3.40 g).

**Vibration Resistance:**  
MW6 types: 10 G's, 10-500 Hz.  
MW6HP types: 30 G's, 10-3,000 Hz

**Shock Resistance:**  
MW6 types: 30 G's, 6 ± 1 ms.  
MW6HP types: 100 G's, 6 ± 1 ms.

**Contact Ratings**

| Contact Load           | Type      | Operations (min.) |
|------------------------|-----------|-------------------|
| 1.0A @ 28VDC           | Resistive | 100,000           |
| 200mA @ 28VDC (300mH)* | Inductive | 100,000           |
| 30µA @ 50mVDC          | Low Level | 10,000,000        |

\* The inductive rating is only applicable to high performance models (MW6HP and MW6HPS).

**Coil Data**
**MW6 Models**

| Nominal Coil Voltage (VDC) | Coil Resistance In Ohms ±20% @ 25°C | Pickup Voltage VDC (Max.) @ 25°C | Nominal Coil Power (mw) @ 25°C | Maximum Coil Voltage | Coil Designator |
|----------------------------|-------------------------------------|----------------------------------|--------------------------------|----------------------|-----------------|
| <b>Standard Coil</b>       |                                     |                                  |                                |                      |                 |
| 5.0                        | 50                                  | 3.6                              | 500                            | 5.8                  | 5               |
| 12.0                       | 390                                 | 8.4                              | 369                            | 16.0                 | 12              |
| 18.0                       | 880                                 | 13.0                             | 368                            | 24.0                 | 18              |
| 26.5                       | 1,560                               | 17.0                             | 450                            | 32.0                 | 26              |

**Sensitive Coil**

|      |       |      |     |      |    |
|------|-------|------|-----|------|----|
| 5.0  | 100   | 3.5  | 250 | 7.5  | 5  |
| 12.0 | 850   | 9.0  | 169 | 20.0 | 12 |
| 18.0 | 1,600 | 13.5 | 203 | 30.0 | 18 |
| 26.5 | 3,300 | 18.0 | 213 | 40.0 | 26 |

**MW6HP (High Performance) Models**

| Nominal Coil Voltage (VDC) | Coil Res. in Ohms ±10% @ 25°C | Pickup V VDC (Max.) @25°C | Release V VDC (Max.) @25°C | Release V VDC (Min.) @25°C | Nominal Coil Power (mw) @25°C | Maximum Coil Voltage | Coil Designator |
|----------------------------|-------------------------------|---------------------------|----------------------------|----------------------------|-------------------------------|----------------------|-----------------|
| <b>Standard Coil</b>       |                               |                           |                            |                            |                               |                      |                 |
| 5.0                        | 50                            | 2.7                       | 1.4                        | 0.22                       | 500                           | 5.8                  | 5               |
| 6.0                        | 98                            | 3.5                       | 2.0                        | 0.28                       | 367                           | 8.0                  | 6               |
| 9.0                        | 220                           | 5.3                       | 3.0                        | 0.54                       | 368                           | 12.0                 | 9               |
| 12.0                       | 390                           | 7.0                       | 4.0                        | 0.63                       | 369                           | 16.0                 | 12              |
| 18.0                       | 880                           | 10.5                      | 6.0                        | 0.91                       | 368                           | 24.0                 | 18              |
| 26.5                       | 1,560                         | 14.2                      | 8.0                        | 1.37                       | 450                           | 32.0                 | 26              |

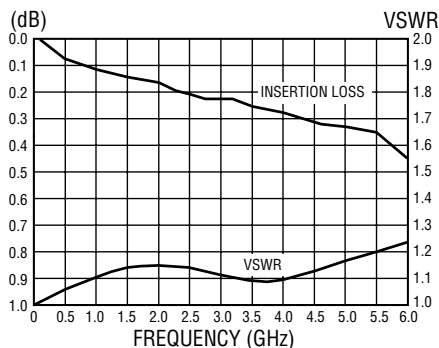
**Sensitive Coil**

|      |       |      |     |      |     |      |    |
|------|-------|------|-----|------|-----|------|----|
| 5.0  | 100   | 2.6  | 1.4 | 0.23 | 250 | 7.5  | 5  |
| 6.0  | 200   | 3.4  | 2.0 | 0.28 | 180 | 10.0 | 6  |
| 9.0  | 400   | 4.85 | 3.0 | 0.55 | 203 | 15.0 | 9  |
| 12.0 | 850   | 7.0  | 4.0 | 0.64 | 169 | 20.0 | 12 |
| 18.0 | 1,600 | 9.8  | 6.0 | 0.92 | 203 | 30.0 | 18 |
| 26.5 | 3,300 | 14.0 | 8.0 | 1.4  | 213 | 40.0 | 26 |

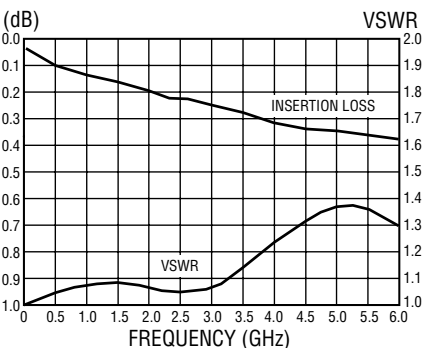


**MW6 & MW6HP Models  
6 GHz. Switching**

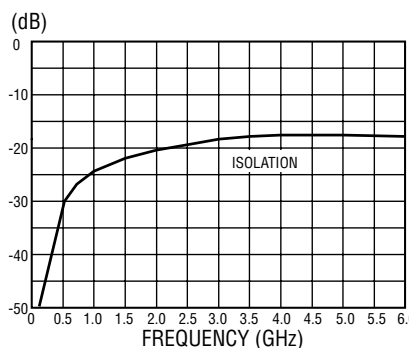
**Insertion Loss & VSWR: NO Contacts**



**Insertion Loss & VSWR: NC Contacts**



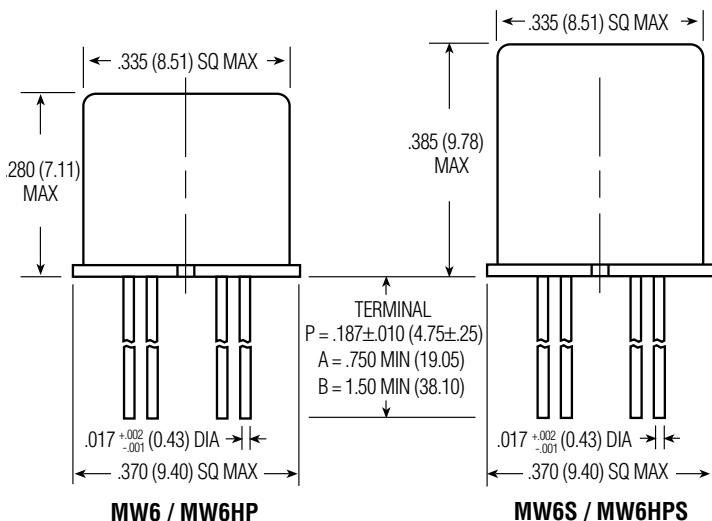
**Isolation**



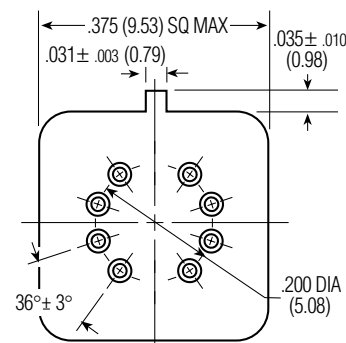
**Test Conditions**

**Test Board:** 0.031" double sided copper clad, PTFE based laminate.  
**Connections:** Relay header is soldered to ground plane. Relay terminals are soldered to through holes. SMA connectors are soldered to circuit traces.  
**Temperature:** Room ambient.  
**Signal Strength:** 0 dBm.  
**Notes:** 1. Unused terminals were terminated with 50 ohm impedance load. 2. All readings are typical.

**Enclosures**

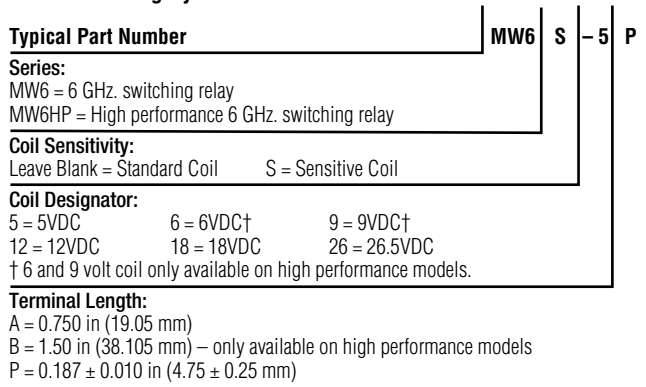


**Header**

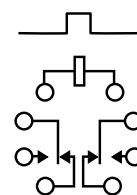


**Header and Terminal Finish:  
Gold plated**

**Part Numbering System**



**Wiring Diagram**



**Terminal View**

**Americas**

**Argentina** – Buenos Aires  
Phone: +54-11-4733-2200  
Fax: +54-11-4733-2250

**Brazil** – São Paulo  
Phone: +55-11-3611-1311  
Fax: +55-11-3611-0397

**Canada** – Markham  
Phone: +905-475-6222  
Fax: +905-474-5520  
**Product Information Center:  
(Technical Support)**  
Phone: +905-470-4425  
Fax: +905-474-5525

**Colombia** – Bogota  
Phone: +57-1-240-9396  
Fax: +57-1-660-0206

**Mexico** – Mexico City  
Phone: +52-55-5-729-0425  
Fax: +52-55-5-398-1430

**United States** – Harrisburg, PA  
Phone: +717-564-0100  
Fax: +717-986-7575  
**Product Information Center:  
(Technical Support)**  
Phone: +800-522-6752  
Fax: +717-986-7575

**For Latin/South American  
Countries not shown**  
Phone: +57-1-240-9396  
Fax: +57-1-660-0206

**Asia/Pacific**

**Australia** – Sydney  
Phone: +61-2-9840-8200  
Fax: +61-2-9899-5649  
**Product Information Center:  
(Technical Support)**  
Phone: +61-2-9554-2600  
Fax: +61-2-9502-2556

**India** – Bangalore  
Phone: +91-80-841-0200  
Fax: +91-80-841-0210

**Indonesia** – Jakarta  
Phone: +6221-526-7852  
Fax: +6221-526-7856

**Japan** – Kawasaki, Kanagawa  
Phone: +81-44-844-8079  
Fax: +81-44-844-8733  
**Product Information Center:  
(Technical Support)**  
Phone: +81-44-844-8013  
Fax: +81-44-812-3200  
**Raychem Products**  
Phone: +81-44-900-5102  
Fax: +81-44-5025-5027

**Korea** – Seoul  
Phone: +82-2-3274-0535  
Fax: +82-2-3274-0524/0531

**Malaysia** – Selangor  
Phone: +60-3-7053055  
Fax: +60-3-7053066

**New Zealand** – Auckland  
Phone: +64-9-634-4580  
Fax: +64-9-634-4586

**Philippines** – Makati City  
Phone: +632-867-8641  
Fax: +632-867-8661

**People's Republic of China**  
Hong Kong  
Phone: +852-2735-1628  
Fax: +852-2735-0243

Shanghai  
Phone: +86-21-6485-0602  
Fax: +86-21-6485-0728

Shunde  
Phone: +86-765-775-1368  
Fax: +86-765-775-2823

**Singapore** – Singapore  
Phone: +65-4820-3111  
Fax: +65-4821-012

**Raychem Products**  
Phone: +65-4866-151  
Fax: +65-6545-514

**Taiwan** – Taipei  
Phone: +886-2-2664-9977  
Fax: +886-2-2664-9900

**Thailand** – Bangkok  
Phone: +66-2-955-0500  
Fax: +66-2-955-0505

**Vietnam** – Ho Chi Minh City  
Phone: +84-8-8232-546/7  
Fax: +84-8-8221-443

**Europe/Middle East/Africa**

**Austria** – Vienna  
Phone: +43-190-560-0  
Fax: +43-190-560-1333

**Belgium** – Kessel-Lo  
Phone: +32-16-352-300  
Fax: +32-16-352-352

**Bulgaria** – Sofia  
Phone: +359-2-971-2152  
Fax: +359-2-971-2153

**Czech Republic** – Kurim  
Phone: +420-5-41-162-111  
Fax: +420-5-41-162-223

**Denmark** – Viby J  
Phone: +45-70-15-52-00  
Fax: +45-86-29-51-33

**Egypt** – Cairo  
Phone: +20-2-417-76-47  
Fax: +20-2-419-23-34

**Estonia** – Tallinn  
Phone: +372-65-05-474  
Fax: +372-65-05-470

**Finland** – Helsinki  
Phone: +358-95-12-34-20  
Fax: +358-95-12-34-250

**France** –  
Cergy-Pontoise  
Phone: +33-1-3420-8888  
Fax: +33-1-3420-8600  
**Product Information Center:  
(Technical Support)**  
Phone: +33-1-3420-8943  
Fax: +33-1-3420-8623

**France**  
**Tyco Electronics Export** –  
St Ouen L'Aumone  
Phone: +33-1-3440-7200  
Fax: +33-1-3440-7220 or  
+33-1-3440-7230

**Germany** – Bensheim  
Phone: +49-6251-133-0  
Fax: +49-6251-133-1600  
**Product Information Center:  
(Technical Support)**  
Phone: +49-6251-133-1999  
Fax: +49-6251-133-1988

**Germany** – Langen  
Phone: +49-6103-709-0  
Fax: +49-6103-709-1223

**Germany** – Speyer  
Phone: +49-6232-30-0  
Fax: +49-6232-30-2243

**Germany**  
**HTS Division** – Neunkirchen  
Phone: +49-2247-305-0  
Fax: +49-2247-305-122

**Great Britain** –  
Stanmore Middlesex  
Phone: +44-181-954-2356  
Fax: +44-181-954-6234  
**Product Information Center:  
(Technical Support)**  
Freephone GB: 0800-267-666  
Phone: +44-141 810 8967...69  
Fax: +44-141 810 8971  
**Great Britain** – Dorcan, Swindon  
**Raychem Products**  
Phone: +44-1793-528171  
Fax: +44-1793-572516

**Greece** – Athens  
Phone: +30-1-9370-396/397  
Fax: +30-1-9370-655

**Hungary** – Budapest  
Phone: +36-1-289-1000  
Fax: +36-1-289-1010

**Ireland** – Dublin  
Phone: +353-1-820-3000  
Fax: +353-1-820-9790

**Israel** – Yokneam  
Phone: +972-4-959-0508  
Fax: +972-4-959-0506

**Italy** – Collegno (Torino)  
Phone: +39-011-4012-111  
Fax: +39-011-4031-116

**Lithuania** – Vilnius  
Phone: +370-5-21-31-402  
Fax: +370-5-21-31-403

**Netherlands** – 's-Hertogenbosch  
Phone: +31-73-6246-246  
Fax: +31-73-6212-365  
**Product Information Center:  
(Technical Support)**  
Phone: +31-73-6246-999  
Fax: +31-73-6246-998

**Norway** – Nesbru  
Phone: +47-66-77-88-99  
Fax: +47-66-77-88-55

**Poland** – Warsaw  
Phone: +48-22-45-76-700  
Fax: +48-22-45-76-720

**Romania** – Bucharest  
Phone: +40-1-311-3479+3596  
Fax: +40-1-312-0574

**Russia** – Moscow  
Phone: +7-095-926-55-06...09  
Fax: +7-095-926-55-05

**Russia** – St. Petersburg  
Phone: +7-812-325-30-83  
Fax: +7-812-325-32-88

**Scotland** – Dundee  
**Madison Cable Products**  
Phone: +44-1382-508080  
Fax: +44-1382-505060

**Slovakia** – Banská Bystrica  
Phone: +421-48-415-20-11/12  
Fax: +421-48-415-20-13

**Slovenia** – Ljubljana  
Phone: +386-1561-3270  
Fax: +386-1561-3240

**South Africa** – Port Elizabeth  
Phone: +27-41-405-4500  
Fax: +27-41-486-1314