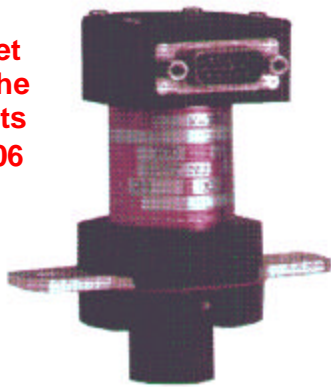


K Series Contactors

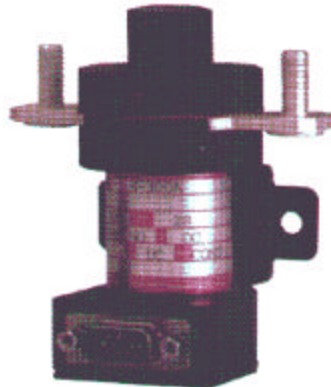
DC Electrically Held Units

K Series contactors are among the smallest, lightest 200-400 amp contactors currently available in the aerospace industry. They are designed for use in DC power distribution systems for private, military and commercial aircraft; or ground vehicle applications.

Built to meet or exceed the requirements of Mil-R-6106



Buss Bar Mount Version



Chassis Mount Version

Part No.*	Voltage	Current rating	Mounting
K-200A3C	28 Vdc	200 Amps	Chassis
K-200B3C	28 Vdc	200 Amps	Buss Bar
K-300A5C	28 Vdc	300 Amps	Chassis
K-300B5C	28 Vdc	300 Amps	Buss Bar
K-400A5C	28 Vdc	400 Amps	Chassis
K-400B5C	28 Vdc	400 Amps	Buss Bar

* Each have 2 Form Z auxiliary contacts and coil suppression

Physical Data

Main contact arrangement	SPST-NO
Form	X
Auxiliary contact arrangement	Up to 2 Form Z or C
Weight	0.50 lbs. – 0.75 lbs

Main Contacts Electrical Data

Rated operating voltage	32 Vdc maximum
Load polarity (make,carry,break)	Bi-directional
Continuous current carry	200 Amps/300 Amps/400 Amps
In-rush current	1000 Amps/1500 Amps/2000Amps
Maximum interrupt (50 times)	2000 Amps/3000Amps/4000Amps

Auxiliary Contacts Electrical Data

Rated operating voltage	28 Vdc / 115 Vac
Load polarity (make,carry,break)	Bi-directional
Continuous current carry	5 Amps
Low level (see Note 1)	1 mA

Coil Data

Duty Cycle	Continuous
Maximum operate voltage	32 Vdc
Nominal operate voltage	28 Vdc
Maximum pickup voltage	16 Vdc

Features

Physical

- Environmentally sealed
- Repairable
- 0.50 lbs. – 0.75 lbs.

Environmental

- Temperature range -55° to +85°C
- 25G shock
- 10G vibration

Power Switching

- S.P.S.T. normally open
- 28 Volts
- 200-400A make/carry/break
- 1000-2000A inrush
- 2000-4000A maximum interrupt

Auxiliary switching**

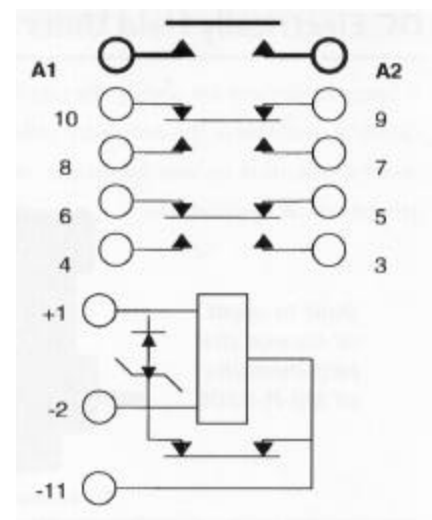
- Up to 2 Form Z
- Up to 2 Form C
- 5 ampere 28 Vdc or 115 Vac

Coil voltage and power

- 28V/9.1W nominal
- Self economizing

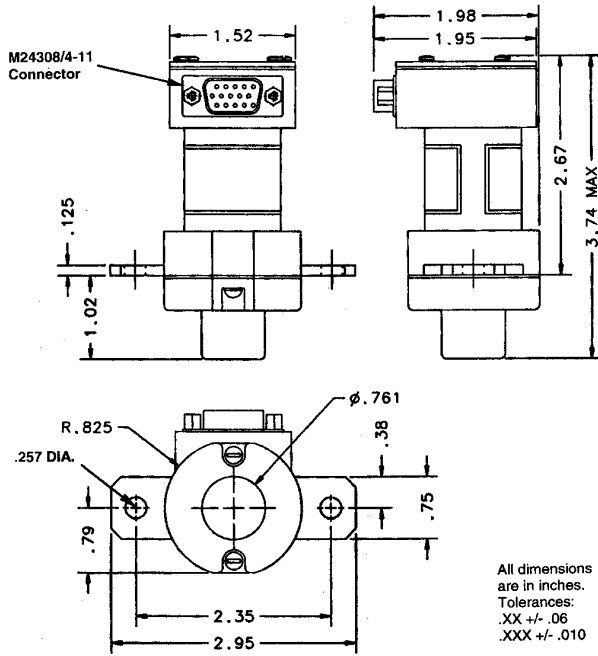
**Other auxiliary arrangements or no auxiliary contacts available

Typical Schematic Diagram

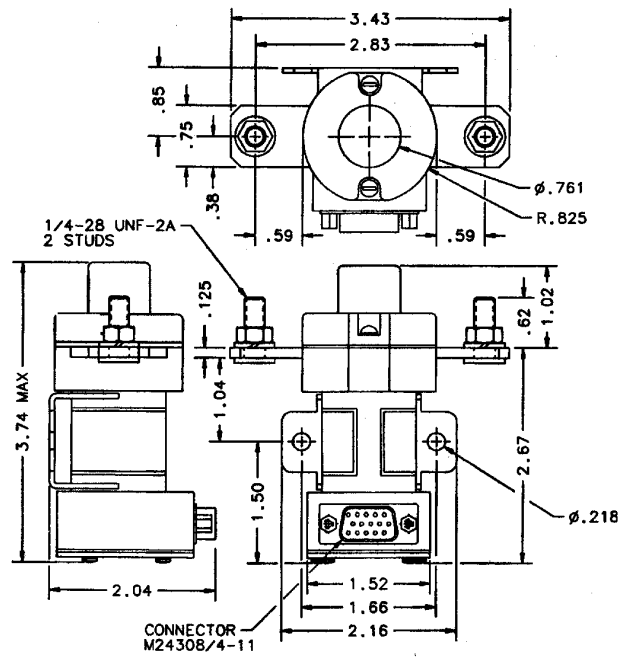


Typical Contactor Dimensions

Buss Bar Mount Version



Chassis Mount Version



Notes

1. Auxiliary contacts are gold plated. 1 mA rating does not apply if contacts have switched loads above 1 mA
2. 150 mV after life test
3. Dropout is 3.5 Vdc max when used as a start contactor with the coil center tap utilized.