

Manual Switches

Pushbutton Switches

FEATURES

- Compact size
- Up to 4-poles
- Sealed versions

TOUCH FEEDBACK SWITCHES



ORDER GUIDE

Momentary and alternate action switches.

Button Color	No. of SPDT Circuits			
	2 Mom. Action	2 Alt. Action	4 Mom. Action	4 Alt. Action
Black	2PB11-T2	82PB19-T2	—	84PB19-T2
	2PB732-T2 (M8805/23-001)	—	4PB714-T2 (M8805/23-003)	—
Red	2PB12-T2	82PB21-T2	—	—
	2PB717-T2 (M8805/23-002)	—	4PB717-T2 (M8805/23-004)	—
Green	2PB273-T2	82PB22-T2	—	—

SHORT TRAVEL SWITCHES



ORDER GUIDE

Momentary action switches.

Button	No. of SPDT Circuits	
	2	3
Black	2PB7	3PB7

These switches resemble the touch-feed-back design, but have a flexible leaf actuator for lower operating force and shorter button travel.

PANEL SEALED SWITCHES



An elastomer seal is bonded between actuating plunger and button collar. An O-ring seals the button assembly to the panel front.

Two-piece design enables button to be mounted separately. After switch unit is wired, it snaps into place from behind panel.

ORDER GUIDE

Momentary action switches.

Button Color	Collar Type	No. of SPDT Circuits	
		1	2
Black	Hex	1PB4	2PB4
Black	Round	1PB42	—
Red	Round	1PB43	2PB43

Pushbuttons

ELECTRICAL RATINGS

(Except 15PB and 700PB)
 30 VDC: 5 amps, res., sea level or 50,000 ft.; 3 amps, ind., sea level; 2.5 amps ind., 50,000 ft; 24 amps, max. inrush.
 UL and CSA rating for basic switches: 5 amps, 125 or 250 VAC.

Manual Switches

Pushbutton Switches

WATERTIGHT SWITCH



ORDER GUIDE

Momentary action switches.
Has knurled chrome-finished facenut.

Button Color	No. of SPDT Circuits
Black	2
	2PB901-T2

Facenut-to-panel, button-to-facenut, and bushing-to-facenut, and bushing-to-facenut, sealing helps prevent entry of water from behind panel, up and over bushing wall. Switch units potted in corrosion resistant metal enclosure. Meets submergence requirements of MIL-STD-108 (up to 10 PSI water pressure for one hour).

HERMETICALLY SEALED SWITCHES



These pushbuttons are equipped with HM hermetically sealed switch units, which have metal-to-metal fusion around the cover, actuator base, and mounting holes. Terminals are sealed glass-to-metal.

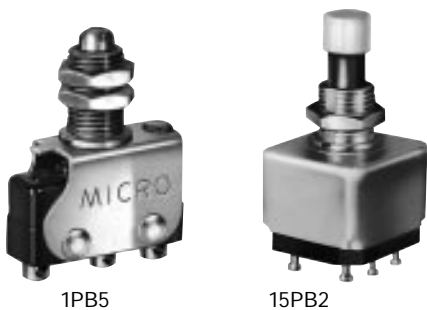
Vapor-proof construction enables use in damp locations without condensation on contacts. External parts corrosion resistant per MIL-S-8805. Meets explosion-proof requirements of MIL-S-8805.

ORDER GUIDE

Momentary action switches.

Button Color	No. of SPDT Circuits	
	2	4
Black	702PB1	704PB1

MINIATURE SIZE SWITCHES



ORDER GUIDE

Momentary action switches.

Button	No. of SPDT Circuits	
	1	2
Steel*	1PB5	—
White Plastic	—	15PB2

* Steel button enables use under hinged plates or paddle levers, in addition to manual operation.

ELECTRICAL RATINGS — 700PB and 15PB

700PB (With hermetically sealed switch units):

28 VDC and 115 VAC, 400 HZ: 3 amps, ind., 5 amps, res.

15PB:

30 VDC and 115 VAC: 2 amps, ind., 5 amps, res.; 1.0 amp, lamp load.

1PB5

250 VAC: 5 amps.

30 VDC: 5 amps, res., sea level or 50,000 ft.; 3 amps, ind., sea level; 2.5 amps ind., 50,000 ft.; 24 amps, max. inrush.

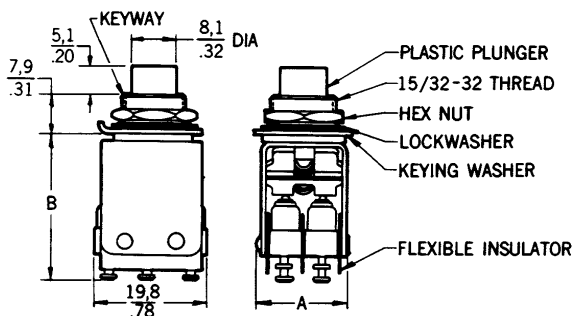
Manual Switches

Pushbutton Switches

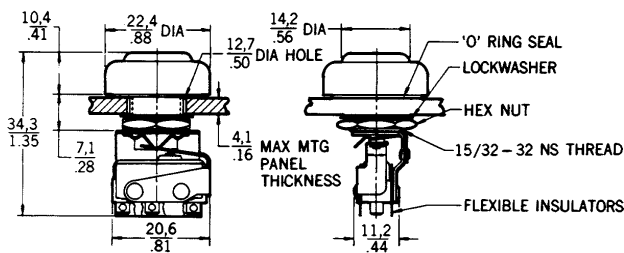
PB Series

MOUNTING DIMENSIONS (For reference only)

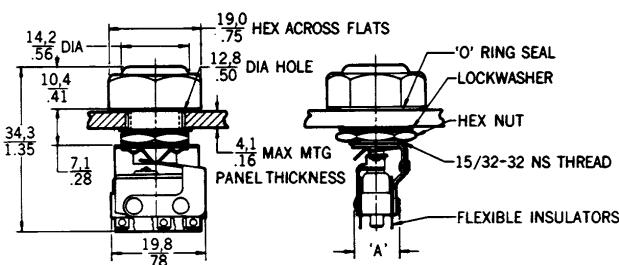
Touch Feedback Switches



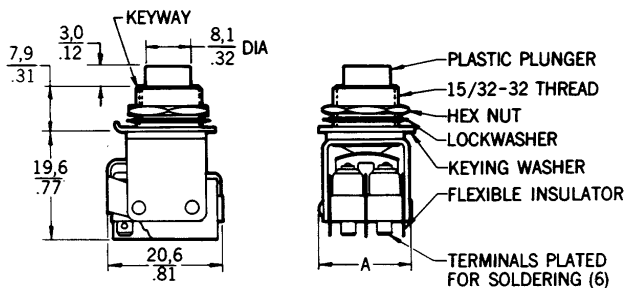
Panel Sealed Switches



		2-Pole	4-Pole
Dim. "A" (max.)	Mom.	16,8/1.66	30,0/1.18
	Alt. Act.	17,3/1.68	30,5/1.20
Dim. "B"	Mom.	26,7/1.05	26,7/1.05
	Alt. Act.	33,0/1.34	33,0/1.34



Short Travel Switches



	1-Pole	2-Pole
Dim. "A" (max.)	11,7/1.46	17,0/1.67

Key: 0,0 = mm
0.00 = inches

	2-Pole	3-Pole
Dim. "A" (max.)	17,0/1.67	23,8/1.94

Pushbuttons

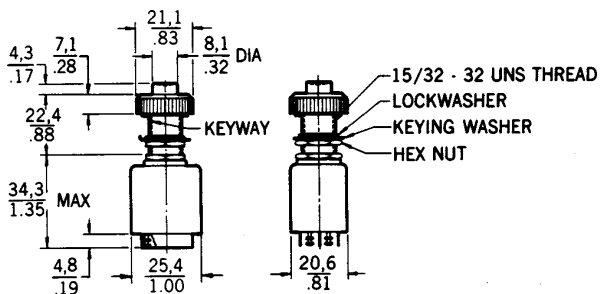
Manual Switches

Pushbutton Switches

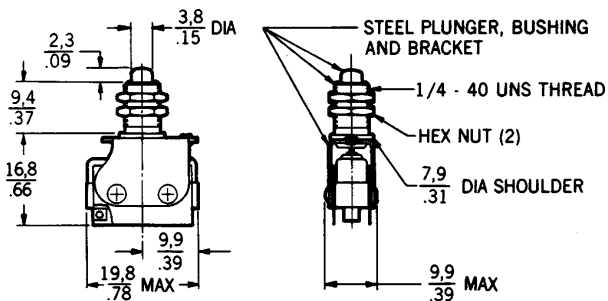
PB Series

MOUNTING DIMENSIONS (For reference only)

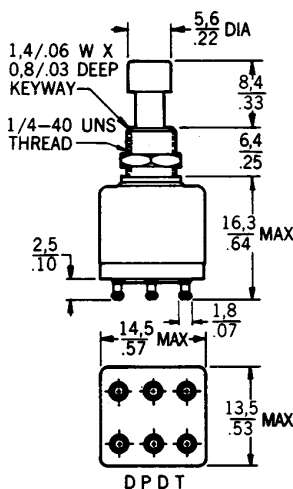
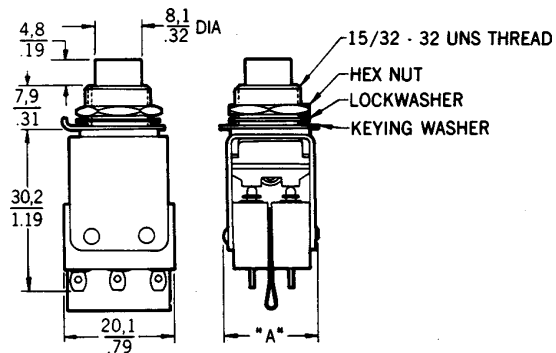
Watertight Switch



Miniature Size Switches



Hermetically Sealed Switches



Mounting hardware includes:
hexnut, lockwasher, and
keying washer.

	2-Pole	4-Pole
Dim. "A" (max.)	16,8/.66	30,0/1.18

Key: $\frac{0,0}{0.00} = \frac{\text{mm}}{\text{inches}}$